



Please consult the manufacturer's installation manual for all details and requirements before making a final design layout decision.

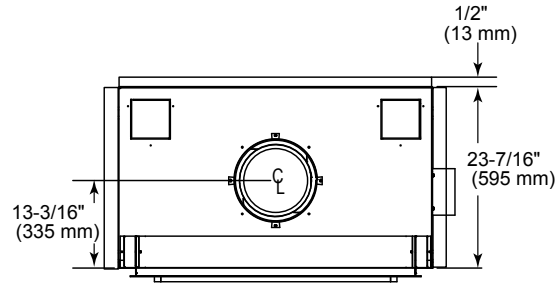
7100 EPA Wood-burning Fireplace

MODEL	FRONT WIDTH		BACK WIDTH		HEIGHT		DEPTH		VIEWING AREA
	Actual	Framing	Actual	Framing	Actual	Framing	Actual	Framing	
7100	40	42-1/2	40	42-1/2	45-13/16	46-1/4	23-15/16	24	38 x 32-1/2

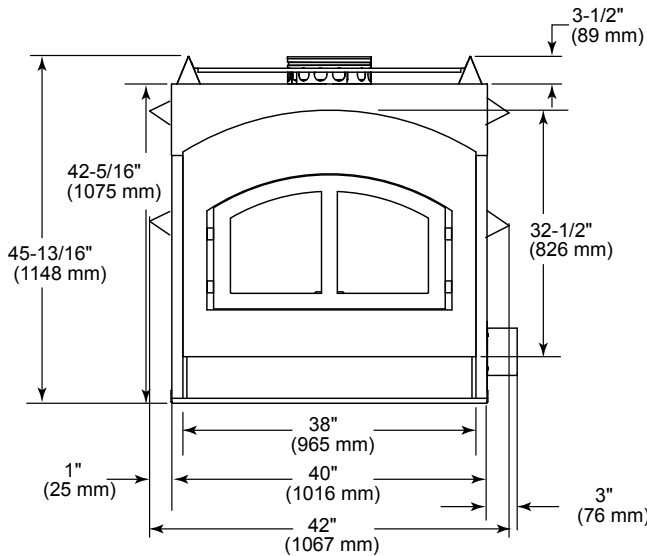
NOTE

The 7100 EPA wood fireplace utilizes HHT's SL300 series pipe which has a 10" outer dimension and an 8" inner dimension.

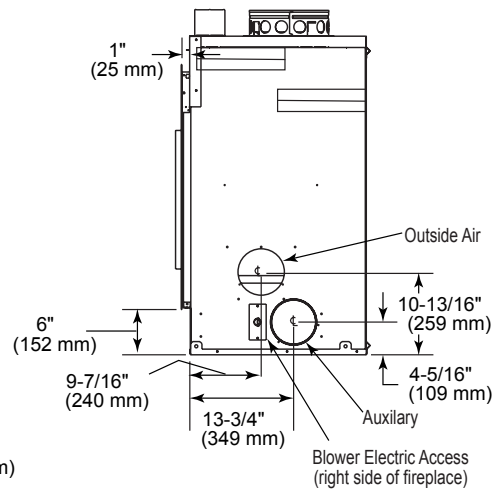
Duraplus 8" pipe, which has a 12" outer dimension and an 8" inner dimension, can also be used. Duraplus pipe requires a new starting collar.



Top View

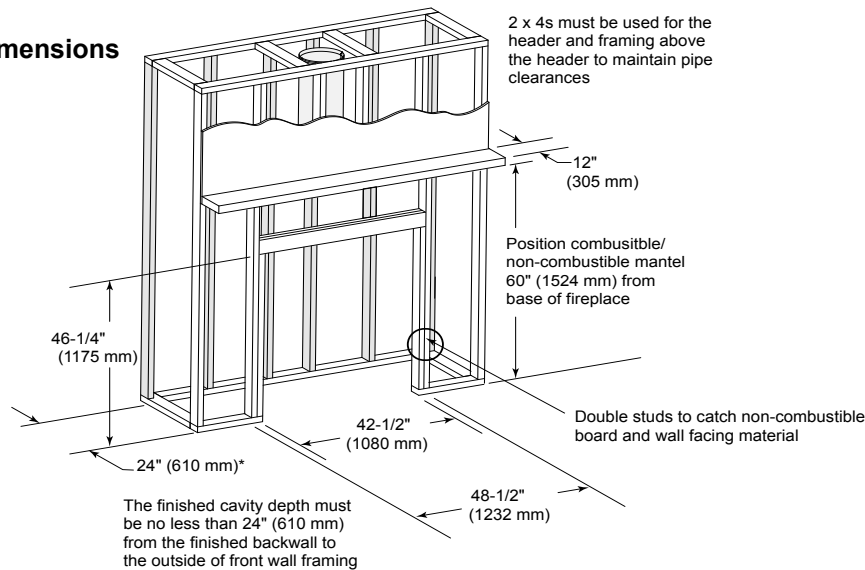


Front View



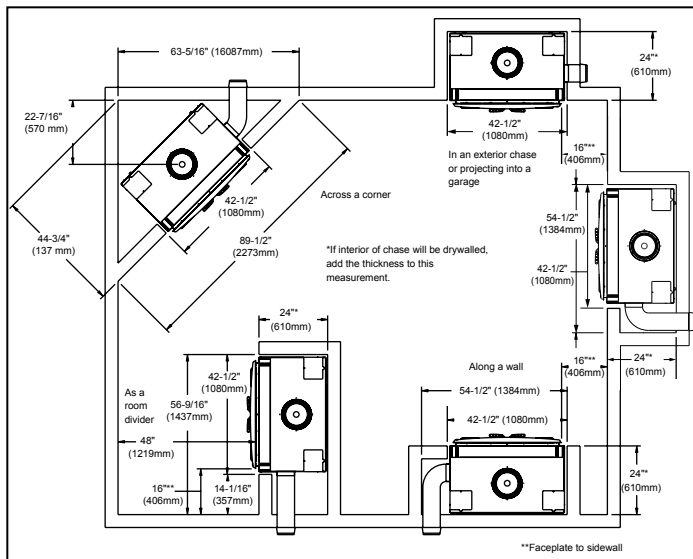
Side View

Framing Dimensions

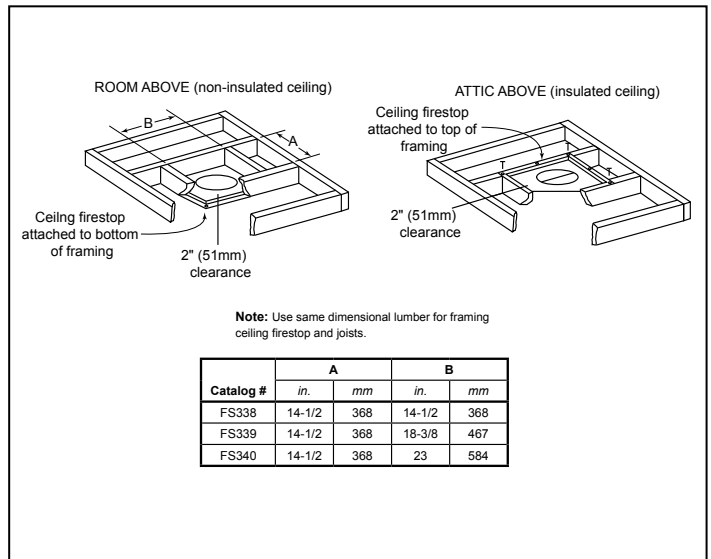


*If interior of chase will be drywalled, add the thickness of the drywall to this measurement.

APPLIANCE LOCATION



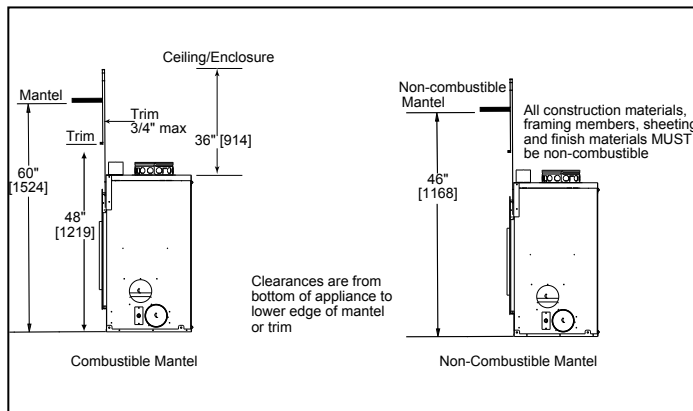
CEILING FIRESTOP INSTALLATION



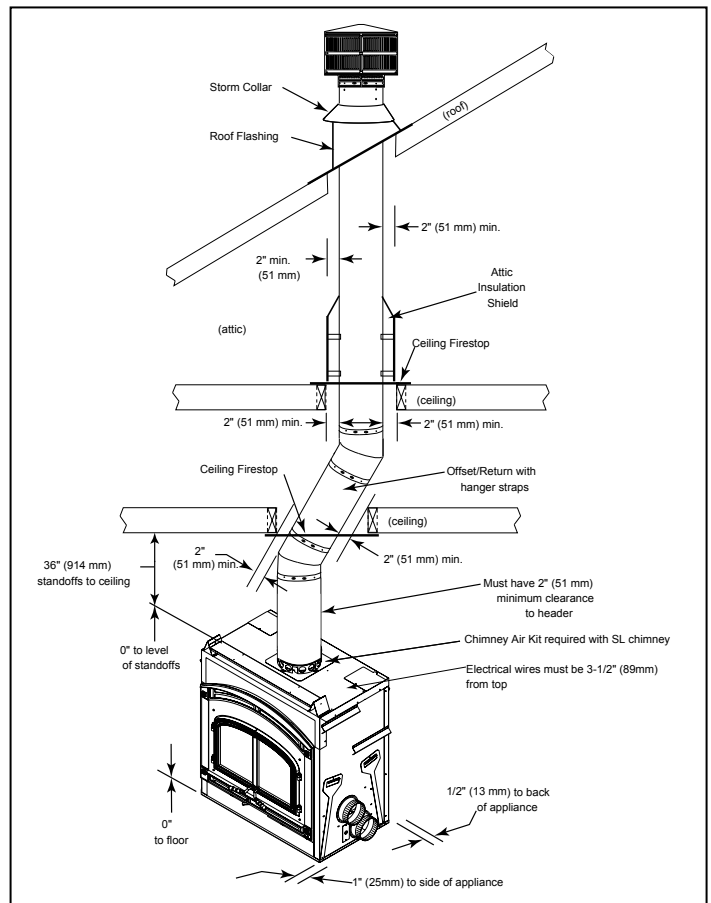
Note: Use same dimensional lumber for framing ceiling firestop and joists.

Catalog #	A		B	
	in.	mm	in.	mm
FS338	14-1/2	368	14-1/2	368
FS339	14-1/2	368	18-3/8	467
FS340	14-1/2	368	23	584

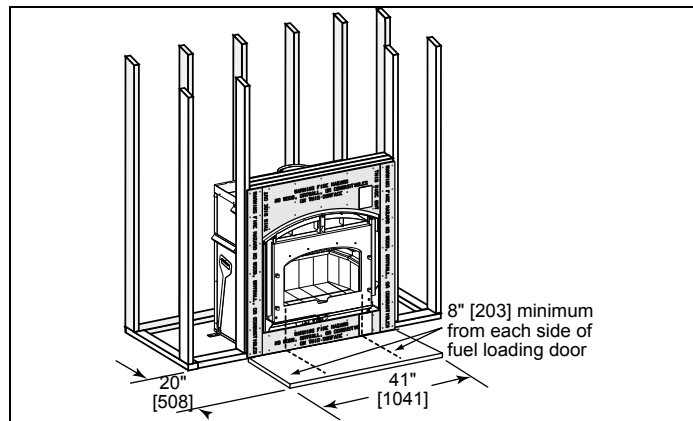
MANTEL PROJECTIONS



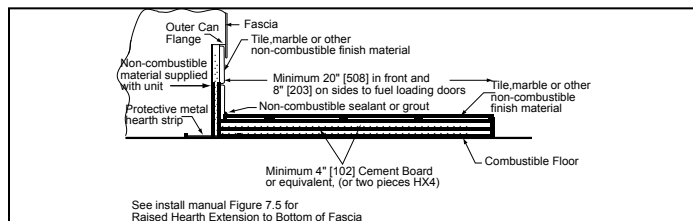
CLEARANCE TO COMBUSTIBLES



HEARTH EXTENTIONS



HEARTH EXTENSION CONSTRUCTION



PRODUCT LISTING CODES	
US	UL127 (UM) 84-HUD
Canada	ULC610-M97 ULC/ORD-C142

Product information provided is not complete and is subject to change without notice. Product installation must adhere strictly to instructions accompanying product to avoid risk of fire and potential injury.

Additional information can be found online at www.quadrafire.com