

heatilator®

The first name in fireplaces



Longmire

Linear Wood-Burning Fireplace

A close-up photograph of a fireplace. The fireplace is constructed from light-colored, rectangular stone blocks stacked in a staggered pattern. A dark metal frame surrounds the fire opening, which is currently closed with a glass and screen door. Inside, a bright, crackling fire burns over a metal grate. The background is a wall of the same stone material.

Longmire

uniquely
nostalgic

The Longmire offers the nostalgic wood-burning fireplace sights, sounds and smells you love in a linear shape. Sleek hideaway glass and screen doors reveal a roaring fire, drawing family and friends together. Listen to the crackle that only wood-burning fireplaces provide. Let the scent of smoldering pine bring back memories. The Longmire wood-burning fireplace is made for easy enjoyment.

Features

- Enjoy the ambiance of a wood-burning fireplace in a linear shape
- Select an indoor or outdoor fireside experience
- Slide the glass and screen doors up and out of sight using a removable handle
- Routine maintenance is simple with a drawbridge grate and hinged glass door
- Burn up to 30" logs for more ambiance
- Available in 42" model

Options

Finishes



Black (indoor only)



Stainless steel (indoor or outdoor)

Specifications

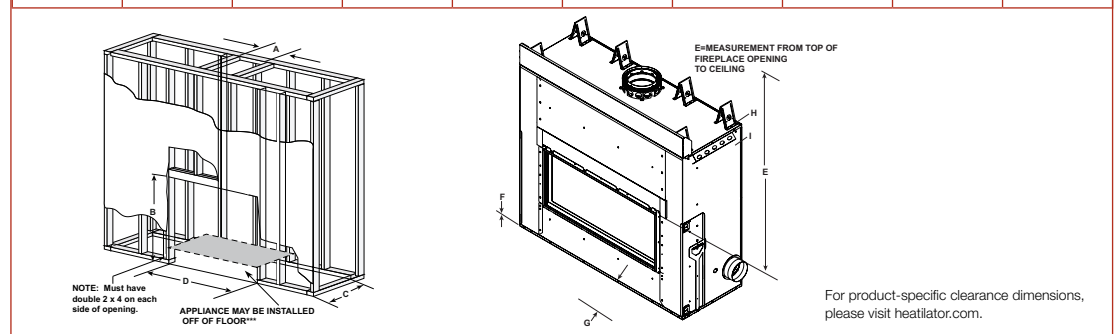
MODEL	FRONT WIDTH	BACK WIDTH	HEIGHT	DEPTH	VIEWING AREA
LM42 / LM42-SS	65" (1651mm)	65" (1651mm)	59-3/4" (1518mm)	24" (610mm)	38-1/8" x 16" (968 x 406)

Left Side	Right Side	Front	Top

Dimensions are in inches and millimeters. Product information is not complete and is subject to change without notice. Product installation must adhere strictly to instructions shipped with product. We recommend measuring individual units at installation. NOTE: Combustible material should not cover the face. Refer to installation manual for detailed specifications on installing this product. Hearth & Home Technologies® reserves the right to update units periodically. Actual product appearance, including flame, may differ from product images.

Framing Dimensions

MODEL	A ROUGH OPENING (VENT PIPE)	B ROUGH OPENING (HEIGHT)	C ROUGH OPENING (DEPTH)	D ROUGH OPENING (WIDTH)	E CLEARANCE TO CEILING	F COMBUSTIBLE FLOOR	G MINIMUM HEARTH DEPTH	H STANDOFF BEHIND APPLIANCE	I STANDOFF SIDE OF APPLIANCE
LM42	14-1/2" [368]	60-1/4" [1530]	24" [610]	65-1/2" [1664]	36" [914]	0" [0]	16" [406]	0" [0]	0" [0]



Cover: Longmire in black with closed glass door
Left: Longmire in black with closed screen door





Exceptional Value + Dependability

Why do contractors, architects and homebuyers trust Heatilator? Because we mix value with dependability. Established in 1927, Heatilator has built a long standing reputation for providing quality, dependable hearth products at unbeatable values. Today, Heatilator remains the most preferred, recommended and installed fireplace brand among building professionals.

Above: Longmire in stainless steel with closed glass door


Available from

heatilator
The first name in fireplaces

800-927-6841 | heatilator.com

 facebook.com/Heatilator

 twitter.com/Heatilator

 youtube.com/HeatilatorFireplaces

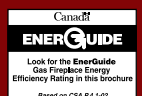
Limited Lifetime Warranty¹

The strongest in the industry, Heatilator provides a limited lifetime warranty on wood-burning products of the most important aspects: firebox and heat exchanger.

¹ For full warranty details go to heatilator.com.

The information provided in this literature is for planning purposes only and subject to change. Please consult the installation manual for actual installation. Actual product appearance may differ from product images.

Fireplace glass and other surfaces get extremely HOT and can cause severe burns if touched. Keep a safe distance away. To learn more visit www.heatilator.com/fireplacesafety.



HTL-1103U-0716