

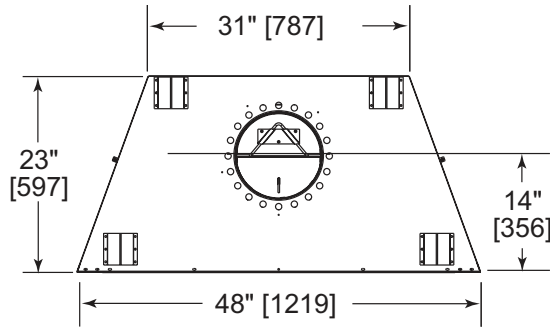


Please consult the manufacturer's installation manual for all details and requirements before making a final design layout decision.

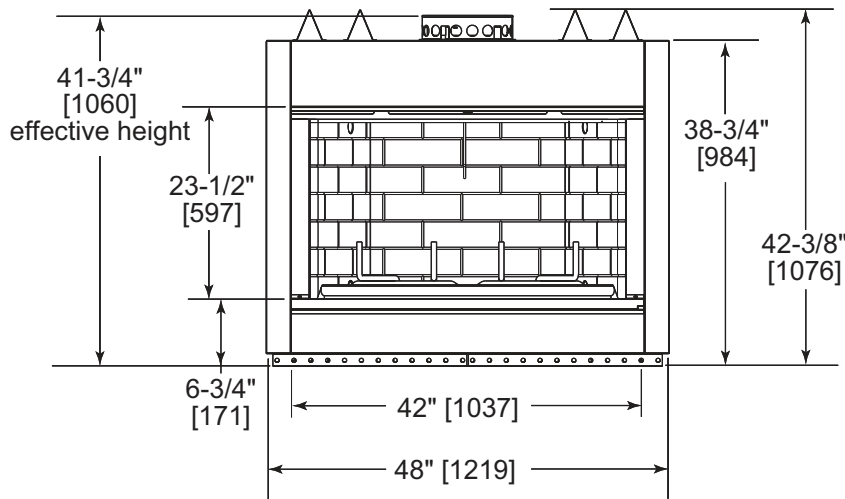
# Montana 42

Outdoor Wood Fireplace

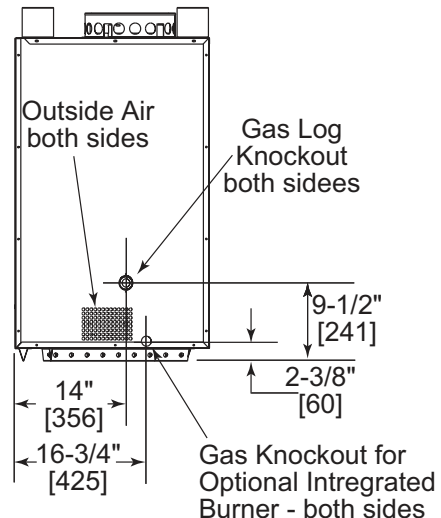
MODEL	FRONT WIDTH		BACK WIDTH		HEIGHT		DEPTH		VIEWING AREA
	Actual	Framing	Actual	Framing	Actual	Framing	Actual	Framing	
MONTANA-42	48	49	31	49	41-3/4	42-3/8	23	24-1/8	42 x 23-1/2



Top View

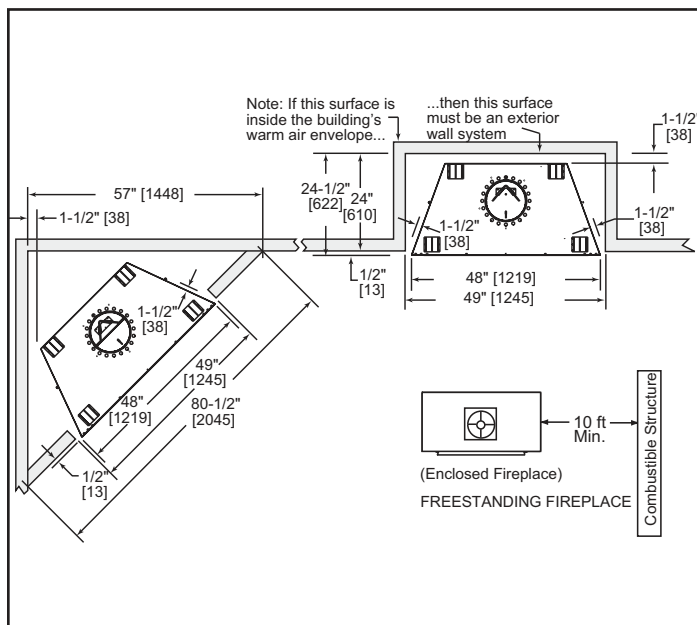


Front View

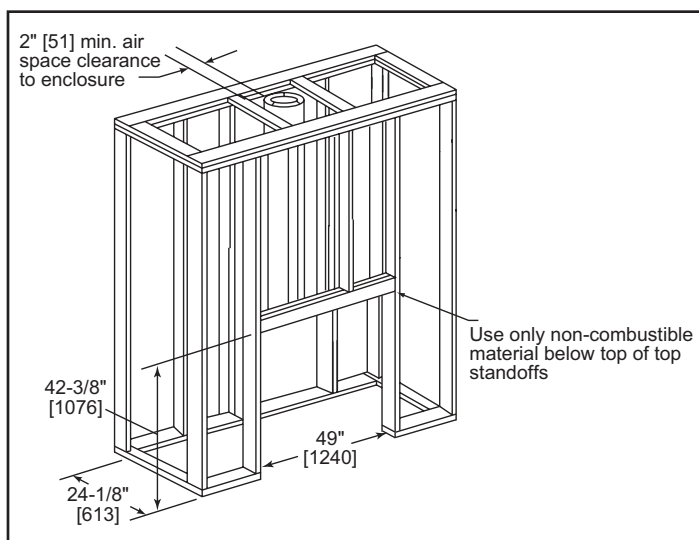


Side View

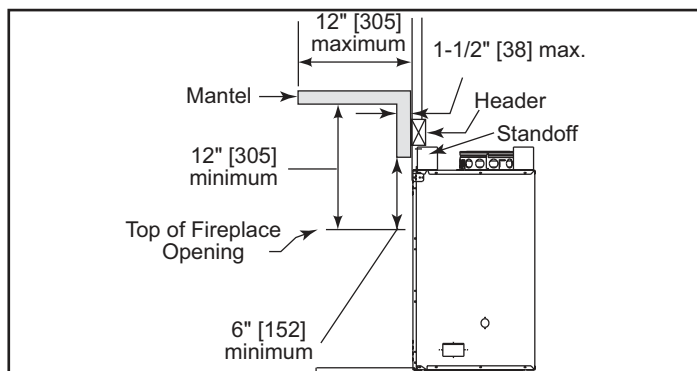
### APPLIANCE LOCATION



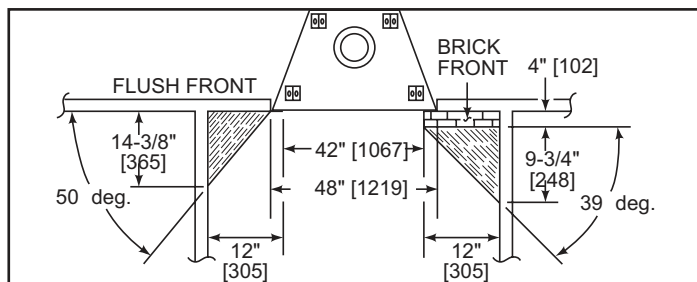
### FRAMING DIMENSIONS



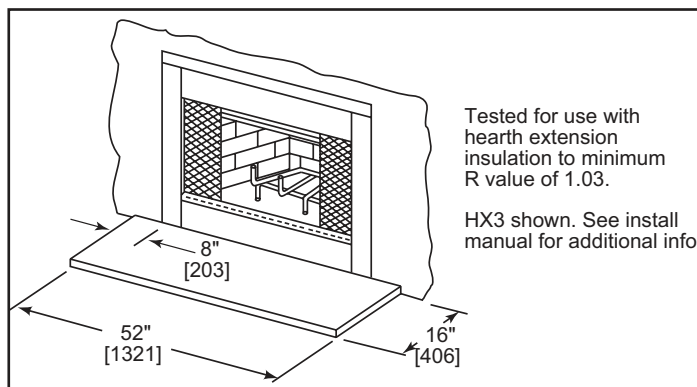
### MANTEL PROJECTIONS



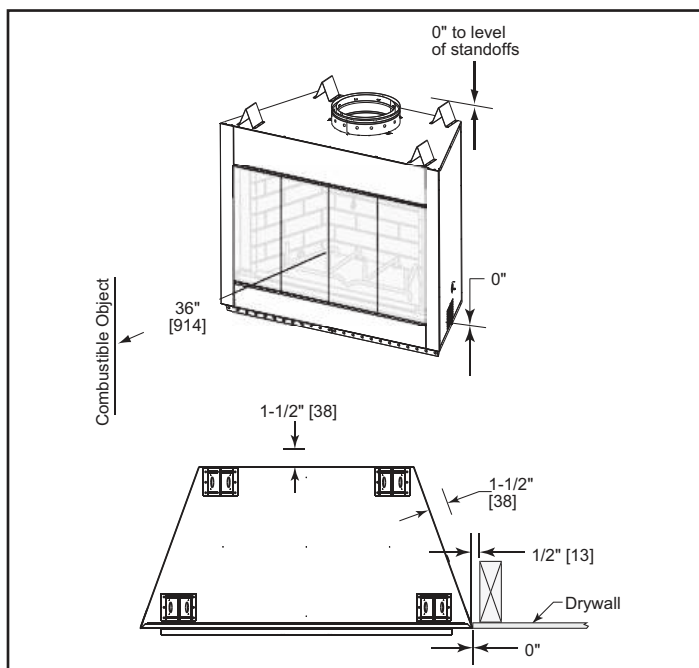
### MANTEL LEG/WALL PROJECTIONS



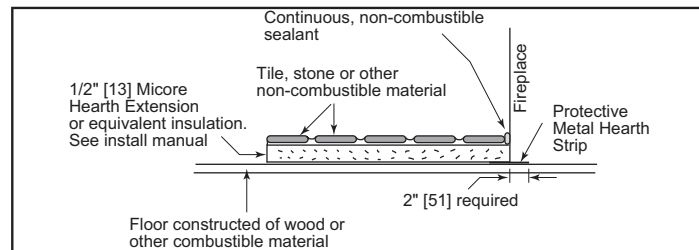
### HEARTH EXTENSION



### CLEARANCES TO COMBUSTIBLES



### HEARTH EXTENSION CONSTRUCTION



PRODUCT LISTING CODES	
US	UL127
CAN	ULC-S610-M87

Product information provided is not complete and is subject to change without notice. Product installation must adhere strictly to instructions accompanying product to avoid risk of fire and potential injury.

Additional information can be found online at [www.fireplaces.com](http://www.fireplaces.com)