

heatilator[®]
The first name in fireplaces



Multi-Sided Series

Direct Vent Gas Fireplaces

Multi-Sided Fireplaces



a room
with a view



The Heatilator gas multi-sided series offers unmistakable views of the fire. This series adds architectural interest to every home, with a dramatic peninsula model offering three-sided viewing, a see-through model adding warmth and beauty to two separate rooms, or a corner model designed to light up tight spaces. The design possibilities for dividing a space is easy with these unique multi-sided fireplaces.

Enjoy total control while operating your fireplace. It is simple, smart and safe with IntelliFire™ Touch. Select the touchscreen remote control or wireless wall switch for the solution that fits your life.

With unsurpassed dependability and exceptional value, the Heatilator gas multi-sided series allows you to simply enjoy the view.

Features

- See-through, peninsula and corner configurations offer dramatic views of the fire
- See-through available with a 31" or 36" viewing area
- Total operating control is simple, smart, safe with IntelliFire Touch
- Variable flame control up to 38,000 BTUs
- Standard black metal interior
- Convert from traditional to contemporary with a modern conversion kit¹



Cover: Peninsula with Simon front in black, reflective black glass and modern conversion kit with scarlet glass

Left: See-Through 36" with Craftsman front in black, reflective black glass and log set

Above: See-Through 36" with modern conversion kit

¹ 36" see-through and peninsula models only

Options and Accessories

Fronts

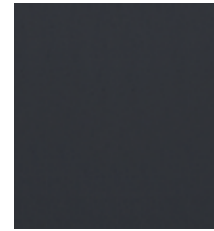


Simon Front - Available in black for all models

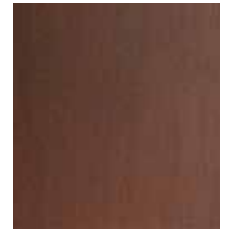


Craftsman Front¹ - Available in black or bronze for 36" models only

Finishes



Black



Bronze

Interiors¹

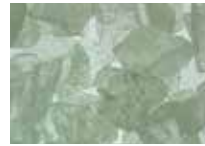


Weathered Traditional Brick



Reflective Black Glass

Interior Media¹



Crystal Glass



Ebony Glass



Cobalt Glass



Amber Glass



Scarlet Glass



Cast Stones

Controls



RC400 Remote Control¹



RC150 Wall Switch¹



WSK200-HTL Wall Switch



Smart-Stat-HTL Remote Control



WSK-MLT-HTL Wall Switch



RCT-MLT-HTL Remote Control

CONTROL	WALL SWITCH OR REMOTE CONTROL	ON/OFF	TOUCHSCREEN	COLD CLIMATE MODE	CHILD LOCK	HOT INDICATOR	ON-SCREEN MAINTENANCE & TROUBLESHOOTING	DEALER INFO	AUTO BATTERY BACKUP	BATTERY STRENGTH INDICATOR	FAN SPEED	FLAME CONTROL	FLAME MODULATION	PILOT ACTIVATION	AUX FUNCTION	TEMPERATURE READOUT	THERMOSTAT MODE	TIMER MODE
RC400	Remote	•	•	•	•	•	•	•			•	•	•		•		•	•
RC150	Wall	•		•														
WSK200-HTL	Wall	•							•	•	•			•				
SMART-STAT-HTL	Remote	•														•	•	•
WSK-MLT-HTL	Wall	•									•	•		•	•	•	•	
RCT-MLT-HTL	Remote	•									•	•				•	•	•

Additional Options Not Pictured

- Fan kit: extends the heating range of your fireplace
- Gas conversion kit: change between using LP or natural gas

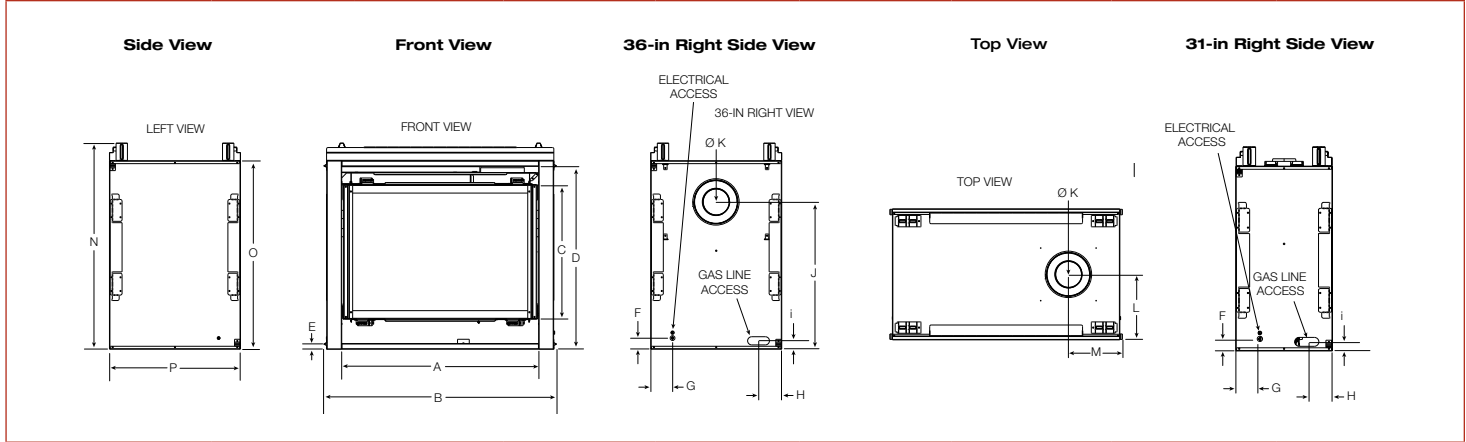
Venting

Direct Vent: DVP pipe and SLP pipe

¹ 36" see-through and peninsula models only

See-Through Technical Specifications

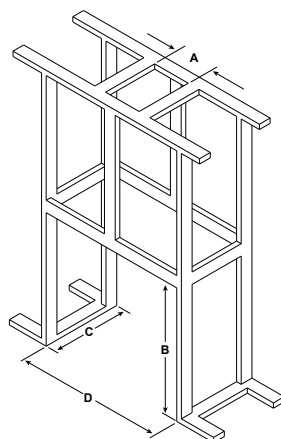
MODEL	A	B	C	D	E	F	G	H
31"	31-1/8" [791]	37-5/8" [956]	21" [533]	30-1/4" [768]	1" [25]	2-1/8" [54]	4-1/8" [105]	4-1/4" [108]
36"	36" [914]	42-1/2" [1080]	24-1/2" [622]	33-1/2" [851]	1" [25]	2-1/8" [54]	4-1/8" [105]	4-1/4" [108]
	I	J	K	L	M	N	O	P
31"	1-1/2" [38]	N/A	N/A	8" [203]	8-3/4" [222]	34-1/2" [876]	31-1/4" [794]	16" [406]
36"	1-1/2" [38]	27" [686]	8" [203]	12" [305]	9-1/2" [241]	38" [965]	34-5/8" [879]	24" [610]



See-Through with Simon front in black, reflective black glass interior and modern conversion kit with crystal and ebony glass

Framing Dimensions

	GDST4336I	GDST3831I
A Rough Opening (Width)	10" [254] DVP Pipe 8-5/8" [219] SL Pipe	8-5/8" [219] SL Pipe
B Rough Opening (Height)	38-1/8" [968]	34-3/4" [883]
C* Rough Opening (Depth)	23" [584] DVP Pipe	15" [381] DVP Pipe
D Rough Opening (Width)	43" [1092]	38-1/8" [968]



All dimensions in inches. The rough framing dimensions shown represent the distance from stud to stud only and do not take into consideration the addition of drywall. Please refer to installation instructions for complete specifications and drawings when installing this product. Visit www.heatilator.com to download.

*Adjust framing dimensions for interior sheathing (such as sheetrock)

Efficiencies

Steady State - Since most homeowners use their fireplaces for an extended time while they are in the room, Steady State measures how efficiently your fireplace converts fuel to heat once it is warmed up and running in a "steady state".

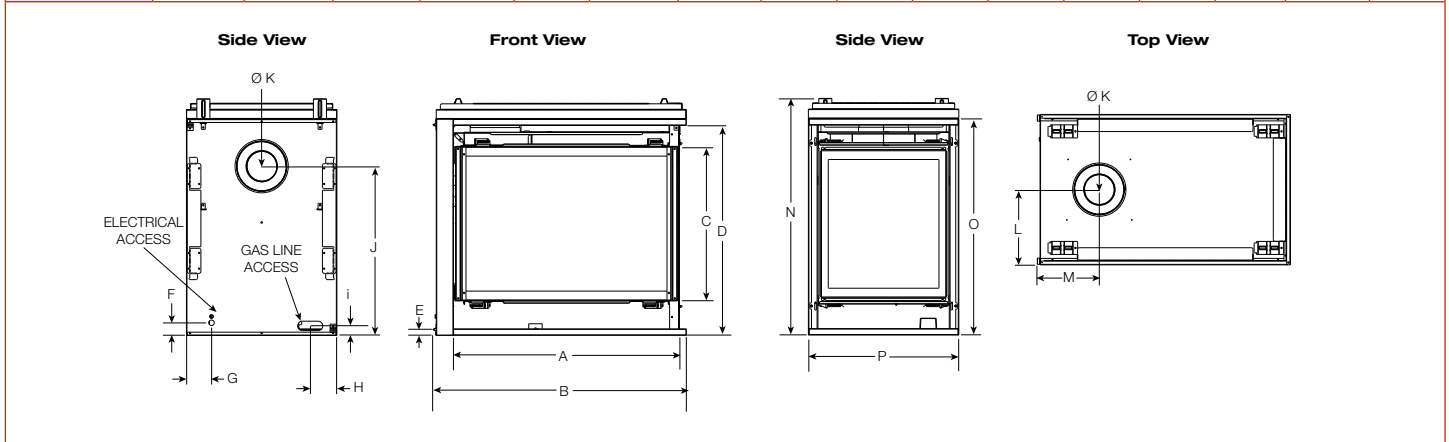
AFUE - AFUE rating is more typically used with appliances, like your furnace, that continually cycle on and off to maintain a constant temperature.

EnerGuide (CSA P.4.1-02) - EnerGuide is a rating used in Canada to measure annual fireplace efficiency.

RATING	GDST4336I	GDST3831I
Steady State	72%	74%
AFUE	53%	47%
EnerGuide (CSA P.4.1-02)	58%	51%

Peninsula Technical Specifications

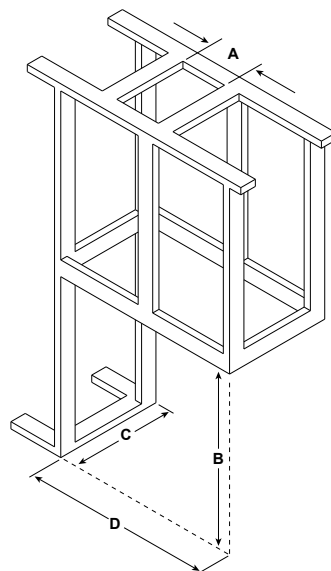
MODEL	A	B	C	D	E	F	G	H	I	J	K	L	M	N	O	P
36"	36" [914]	40-1/2" [1029]	24-1/2" [622]	33-1/2" [851]	1" [25]	2-1/8" [54]	4-1/8" [105]	4-1/4" [108]	1-1/2" [38]	27" [686]	8" [203]	12" [305]	9-1/2" [241]	38" [965]	34-5/8" [879]	24" [610]



Peninsula with Simon front in black, reflective black glass interior and log set

Framing Dimensions

GDFL4136I	
A Rough Opening (Width)	10" [254] DVP Pipe 8-5/8" [219] SL Pipe
B Rough Opening (Height)	38-1/8" [968]
C* Rough Opening (Depth)	23" [584] DVP Pipe
D Rough Opening (Width)	40" [1016]



* Adjust framing dimensions for interior sheathing (such as sheetrock)

Efficiencies

Steady State - Since most homeowners use their fireplaces for an extended time while they are in the room, Steady State measures how efficiently your fireplace converts fuel to heat once it is warmed up and running in a "steady state".

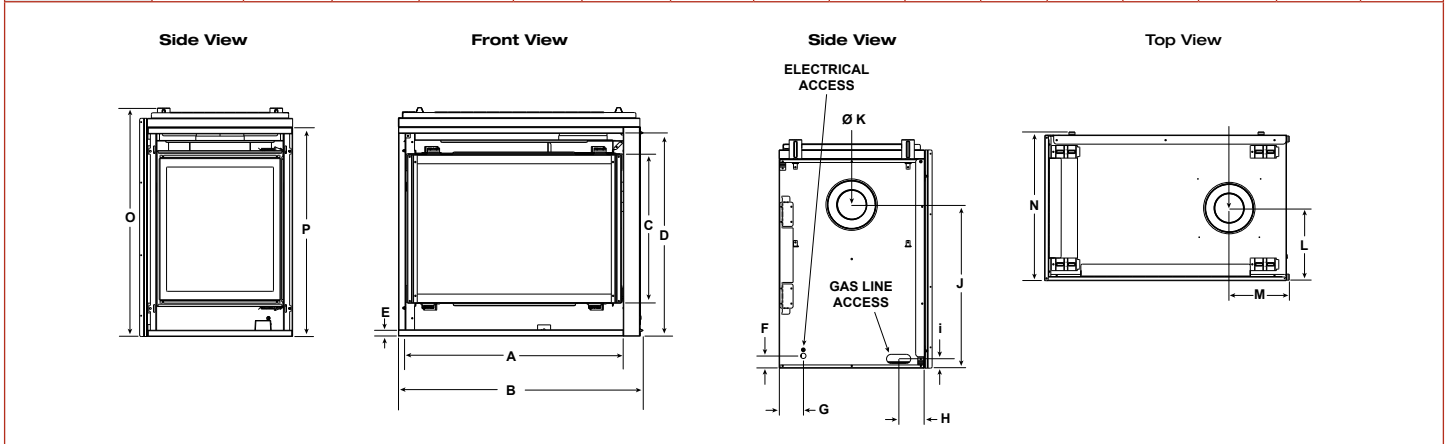
AFUE - AFUE rating is more typically used with appliances, like your furnace, that continually cycle on and off to maintain a constant temperature.

EnerGuide (CSA P.4.1-02) - EnerGuide is a rating used in Canada to measure annual fireplace efficiency.

RATING	GDFL4136I
Steady State	75%
AFUE	68%
EnerGuide (CSA P.4.1-02)	58%

Corner Technical Specifications

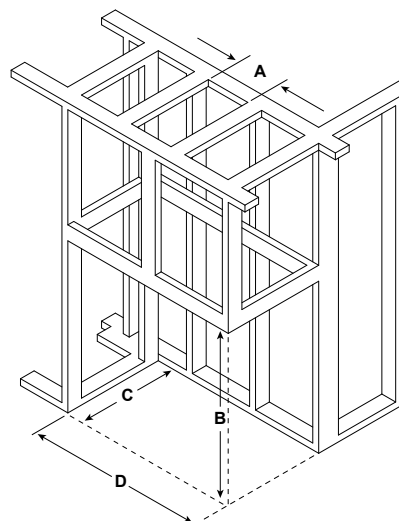
MODEL	A	B	C	D	E	F	G	H	I	J	K	L	M	N	O	P
36"	36" [914]	40-1/2" [1029]	24-1/2" [622]	33-1/2" [851]	1" [25]	2-1/8" [54]	4-1/8" [105]	4-1/4" [108]	1-1/2" [38]	27" [686]	8" [203]	12" [305]	9-1/2" [241]	24-1/2" [622]	38" [965]	34-5/8" [879]



Corner with Simon front in black and brick interior

Framing Dimensions

LCOR/RCOR-DV36IN	
A Rough Opening (Width)	10" [254] DVP Pipe 8-5/8" [219] SL Pipe
B Rough Opening (Height)	38-1/8" [968]
C* Rough Opening (Depth)	24" [610] DVP Pipe
D Rough Opening (Width)	40" [1016]



*Adjust framing dimensions for interior sheathing (such as sheetrock)

Efficiencies

Steady State - Since most homeowners use their fireplaces for an extended time while they are in the room, Steady State measures how efficiently your fireplace converts fuel to heat once it is warmed up and running in a "steady state".

AFUE - AFUE rating is more typically used with appliances, like your furnace, that continually cycle on and off to maintain a constant temperature.

EnerGuide (CSA P.4.1-02) - EnerGuide is a rating used in Canada to measure annual fireplace efficiency.

RATING	GDCL/CR4136I
Steady State	72%
AFUE	59%
EnerGuide (CSA P.4.1-02)	54%

Technology

Direct Vent Technology

With Direct Vent fireplaces and inserts, 100% of combustion exhaust and fumes are removed from your home. These sealed fireplaces provide optimal heat, conserve energy and ensure clean, safe indoor air quality.

IntelliFire Ignition System

The IntelliFire Ignition System (IPI) is an advanced intermittent pilot ignition system. IPI constantly monitors ignition, ensures safe functioning and conserves up to \$10/month in energy costs.

IntelliFire Plus (IPI Plus) takes this technology to the next level with more safety and memory settings and a programmable wireless remote control.

IntelliFire Touch is the most advanced and intuitive IntelliFire system, making operating your fireplace simple, smart and safe. Select the wireless wall switch or touchscreen remote control for the solution that fits your life.

Exceptional Value + Dependability

Why do contractors, architects and homebuyers trust Heatilator? Because we mix value with dependability. Established in 1927, Heatilator has built a long standing reputation for providing quality, dependable hearth products at unbeatable values. Today, Heatilator remains the most preferred, recommended and installed fireplace brand among building professionals.

This Page: See-Through 36" log and ember detail


Available from

heatilator
The first name in fireplaces

800-927-6841 | heatilator.com

 facebook.com/Heatilator

 twitter.com/Heatilator

 youtube.com/HeatilatorFireplaces

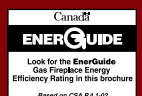
Limited Lifetime Warranty¹

The strongest in the industry, Heatilator provides a limited lifetime warranty on wood-burning products of the most important aspects: firebox and heat exchanger.

¹ For full warranty details go to heatilator.com.

The information provided in this literature is for planning purposes only and subject to change. Please consult the installation manual for actual installation. Actual product appearance may differ from product images.

Fireplace glass and other surfaces get extremely HOT and can cause severe burns if touched. Keep a safe distance away. To learn more visit www.heatilator.com/fireplacesafety.



HTL-1057-0217