

# Installation Manual

## Installation and Appliance Setup

**INSTALLER:** Leave this manual with party responsible for use and operation.  
**OWNER:** Retain this manual for future reference.

**NOTICE:** DO NOT discard this manual!

# HEAT & GLO™

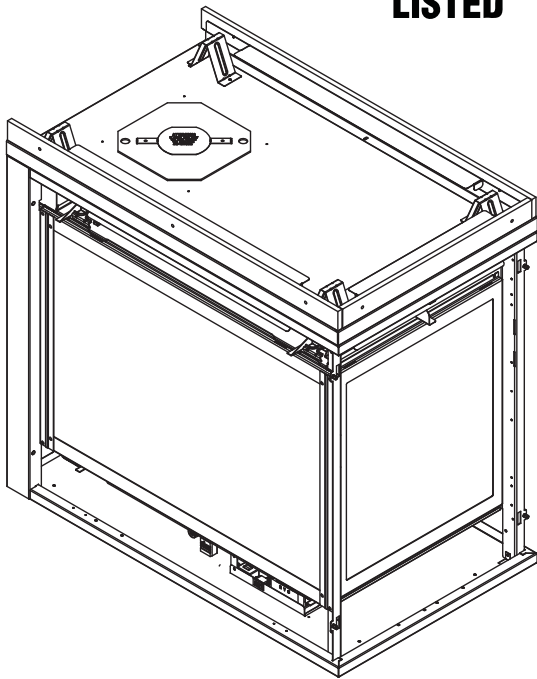
No one builds a better fire

**Models:**

**ST-36TRB-IFT**

**PIER-36TRB-IFT**

**GAS-FIRED**



This appliance may be installed as an OEM installation in manufactured home (USA only) or mobile home and must be installed in accordance with the manufacturer's instructions and the *Manufactured Home Construction and Safety Standard, Title 24 CFR, Part 3280* in the United States, or the *Standard for Installation in Mobile Homes, CAN/CSA Z240 MH Series*, in Canada.

This appliance is only for use with the type(s) of gas indicated on the rating plate. This appliance is not convertible for use with other gases, unless a certified kit is used.

**⚠ WARNING:**

**FIRE OR EXPLOSION HAZARD**

Failure to follow safety warnings exactly could result in serious injury, death, or property damage.

- **DO NOT** store or use gasoline or other flammable vapors and liquids in the vicinity of this or any other appliance.
- **What to do if you smell gas**
  - **DO NOT** try to light any appliance.
  - **DO NOT** touch any electrical switch. **DO NOT** use any phone in your building.
  - Leave the building immediately.
  - Immediately call your gas supplier from a neighbor's phone. Follow the gas supplier's instructions.
  - If you cannot reach your gas supplier, call the fire department.
- Installation and service must be performed by a qualified installer, service agency, or the gas supplier.

**⚠ DANGER**



**HOT GLASS WILL CAUSE BURNS.**

**DO NOT TOUCH GLASS UNTIL COOLED.**

**NEVER ALLOW CHILDREN TO TOUCH GLASS.**

A barrier designed to reduce the risk of burns from the hot viewing glass is provided with this appliance and shall be installed for the protection of children and other at-risk individuals.

In the Commonwealth of Massachusetts installation must be performed by a licensed plumber or gas fitter. See Table of Contents for location of additional Commonwealth of Massachusetts requirements.

## ▲ Safety Alert Key:

- **DANGER!** Indicates a hazardous situation which, if not avoided will result in death or serious injury.
- **WARNING!** Indicates a hazardous situation which, if not avoided could result in death or serious injury.
- **CAUTION!** Indicates a hazardous situation which, if not avoided, could result in minor or moderate injury.
- **NOTICE:** Used to address practices not related to personal injury.

## Table of Contents

|  |   |
|--|---|
| Installation Standard Work Checklist . . . . . | 3 |
|--|---|

### 1 Product Specific and Important Safety Information

|   |   |
|---|---|
| A. Appliance Certification . . . . .                            | 4 |
| B. Glass Specifications . . . . .                               | 4 |
| C. BTU Specifications . . . . .                                 | 4 |
| D. High Altitude Installations . . . . .                        | 4 |
| E. Non-Combustible Materials Specification . . . . .            | 4 |
| F. Combustible Materials Specification . . . . .                | 4 |
| G. Electrical Codes . . . . .                                   | 4 |
| H. Requirements for the Commonwealth of Massachusetts . . . . . | 5 |

### 2 Getting Started

|   |   |
|---|---|
| A. Design and Installation Considerations . . . . . | 6 |
| B. Good Faith Wall Surface/TV Guidelines . . . . .  | 6 |
| C. Tools and Supplies Needed . . . . .              | 6 |
| D. Inspect Appliance and Components . . . . .       | 7 |

### 3 Framing and Clearances

|  |    |
|--|----|
| A. Appliance/Decorative Front Dimension Diagrams . . . . . | 8  |
| B. Clearances to Combustibles . . . . .                    | 14 |
| C. Clearances to Combustibles . . . . .                    | 15 |
| D. Constructing the Appliance Chase . . . . .              | 17 |

### 4 Termination Location and Vent Information

|  |    |
|--|----|
| A. Vent Termination Minimum Clearances . . . . . | 18 |
| B. Chimney Diagram . . . . .                     | 19 |
| C. Approved Pipe . . . . .                       | 20 |
| D. Use of Elbows . . . . .                       | 21 |
| E. Measuring Standards . . . . .                 | 22 |
| F. Vent Diagrams . . . . .                       | 22 |

### 5 Vent Clearances and Framing

|   |    |
|---|----|
| A. Pipe Clearances to Combustibles . . . . .            | 35 |
| B. Wall Penetration Framing . . . . .                   | 35 |
| C. Ceiling Firestop/Floor Penetration Framing . . . . . | 36 |
| D. Install Attic Insulation Shield . . . . .            | 36 |

### 6 Appliance Preparation

|  |    |
|--|----|
| A. Vent Collar Preparation . . . . .               | 37 |
| B. Securing and Leveling the Appliance . . . . .   | 39 |
| C. Non-Combustible Material Installation . . . . . | 40 |

### 7 Venting and Chimneys

|  |    |
|--|----|
| A. Assemble Vent Sections . . . . .              | 41 |
| B. Assemble Vent Sections . . . . .              | 42 |
| C. Assemble Slip Sections (SLP & DVP) . . . . .  | 43 |
| D. Secure the Vent Sections . . . . .            | 43 |
| E. Disassemble Vent Sections . . . . .           | 44 |
| F. Vertical Termination Requirements . . . . .   | 45 |
| G. Horizontal Termination Requirements . . . . . | 46 |

### 8 Electrical Information

|  |    |
|--|----|
| A. General Information . . . . .                       | 48 |
| B. IntelliFire™ Touch Ignition System Wiring . . . . . | 49 |
| C. Fan (Optional) . . . . .                            | 52 |

### 9 Gas Information

|  |    |
|--|----|
| A. Fuel Conversion . . . . .             | 53 |
| B. Gas Pressure . . . . .                | 53 |
| C. Gas Connection . . . . .              | 53 |
| D. High Altitude Installations . . . . . | 53 |
| E. Air Shutter Setting . . . . .         | 54 |

### 10 Finishing

|  |    |
|--|----|
| A. Facing Material . . . . .             | 55 |
| B. Mantel and Wall Projections . . . . . | 56 |
| C. Finishing Material . . . . .          | 57 |

### 11 Appliance Setup

|  |    |
|--|----|
| A. Remove Fixed Glass Assembly . . . . .           | 59 |
| B. Remove the Shipping Materials . . . . .         | 59 |
| C. Clean the Appliance . . . . .                   | 61 |
| D. Glowing Ember and Lava Rock Placement . . . . . | 62 |
| E. Install the Log Assembly . . . . .              | 63 |
| F. Install Fixed Glass Assembly . . . . .          | 64 |

### 12 Reference Materials

|                                       |    |
|---------------------------------------|----|
| A. Vent Components Diagrams . . . . . | 65 |
| B. Accessories . . . . .              | 76 |

➔ = Contains updated information.

# Installation Standard Work Checklist

## ATTENTION INSTALLER: Follow this Standard Work Checklist

This standard work checklist is to be used by the installer in conjunction with, not instead of, the instructions contained in this installation manual.

|   |   |
|---|---|
| <b>Customer:</b> _____<br><b>Lot/Address:</b> _____<br><b>Model (circle one):</b> ST-36TRB-IFT<br><span style="margin-left: 100px;">PIER-36TRB-IFT</span> | <b>Date Installed:</b> _____<br><b>Location of Fireplace:</b> _____<br><b>Installer:</b> _____<br><b>Dealer/Distributor Phone #</b> _____<br><b>Serial #:</b> _____ |
|---|---|

**WARNING! Risk of Fire or Explosion!** Failure to install appliance according to these instructions could lead to a fire or explosion.

| <u>Appliance Install</u>   | YES                      | IF NO, WHY? |
|--|--------------------------|-------------|
| Verified that the chase is insulated and sealed. (Pg. 17)  | <input type="checkbox"/> | _____       |
| Required non-combustible board is installed. (Pg. 40)  | <input type="checkbox"/> | _____       |
| Verified clearances to combustibles. (Pg. 15-17)   | <input type="checkbox"/> | _____       |
| Fireplace is leveled and secured. (Pg. 39)   | <input type="checkbox"/> | _____       |
| <br><b><u>Venting/Chimney Section 7 (Pg 41-47)</u></b>   |                          |             |
| Venting configuration complies to vent diagrams.   | <input type="checkbox"/> | _____       |
| Venting installed, locked and secured in place with proper clearance.  | <input type="checkbox"/> | _____       |
| Firestops installed.   | <input type="checkbox"/> | _____       |
| Attic insulation shield installed.   | <input type="checkbox"/> | _____       |
| Exterior wall/Roof flashing installed and sealed.  | <input type="checkbox"/> | _____       |
| Terminations installed and sealed.   | <input type="checkbox"/> | _____       |
| <br><b><u>Electrical Section 8 (Pg 48-52)</u></b>  |                          |             |
| Unswitched power (110-120 VAC) provided to the appliance.  | <input type="checkbox"/> | _____       |
| Switch wires properly installed.   | <input type="checkbox"/> | _____       |
| <br><b><u>Gas Section 9 (Pg 53-54)</u></b>   |                          |             |
| Proper appliance for fuel type.  | <input type="checkbox"/> | _____       |
| Was a conversion performed?  | <input type="checkbox"/> | _____       |
| Leak check performed and inlet pressure verified.  | <input type="checkbox"/> | _____       |
| Verified proper air shutter setting for installation type.   | <input type="checkbox"/> | _____       |
| <br><b><u>Finishing Section 10 (Pg 55-58)</u></b>  |                          |             |
| Combustible materials not installed in non-combustible areas.  | <input type="checkbox"/> | _____       |
| Verified all clearances meet installation manual requirements.   | <input type="checkbox"/> | _____       |
| Mantels and wall projections comply with installation manual requirements.   | <input type="checkbox"/> | _____       |
| <br><b><u>Appliance Setup Section 11 (Pg 59-64)</u></b>  |                          |             |
| All packaging and protective materials removed (inside & outside of appliance).  | <input type="checkbox"/> | _____       |
| Refractories, logs, media and embers installed correctly.  | <input type="checkbox"/> | _____       |
| Glass assembly installed and secured.  | <input type="checkbox"/> | _____       |
| Accessories installed properly.  | <input type="checkbox"/> | _____       |
| Mesh, doors, or decorative front properly installed.   | <input type="checkbox"/> | _____       |
| Manual bag and all of its contents are removed from inside/under the appliance and given to party responsible for use and operation. | <input type="checkbox"/> | _____       |
| Started appliance and verified no gas leaks exist.   | <input type="checkbox"/> | _____       |

**Hearth & Home Technologies recommends the following:**

- Photographing the installation and copying this checklist for your file.
- That this checklist remain visible at all times on the appliance until the installation is complete.

**Comments:** Further description of the issues, who is responsible (Installer/ Builder/ Other Trades, etc) and corrective action needed \_\_\_\_\_

Comments Communicated to party responsible \_\_\_\_\_ by \_\_\_\_\_ on \_\_\_\_\_  
(Builder / Gen. Contractor/) (Installer) (Date)

➔ = Contains updated information.

2484-982 2/17

# 1 Product Specific and Important Safety Information

## A. Appliance Certification

**MODELS:** ST-36TRB-IFT, PIER-36TRB-IFT  
**LABORATORY:** Underwriters Laboratories, Inc. (UL)  
**TYPE:** Direct Vent Heater  
**STANDARD:** ANSI Z21.88-2014 • CSA 2.33-2014

This product is listed to ANSI standards for “Vented Gas Fireplace Heaters” and applicable sections of “Gas Burning Heating Appliances for Manufactured Homes and Recreational Vehicles”, and “Gas Fired Appliances for Use at High Altitudes”.

**NOTICE:** This installation must conform with local codes. In the absence of local codes you must comply with the National Fuel Gas Code, ANSI Z223.1-latest edition in the U.S.A. and the CAN/CGA B149 Installation Codes in Canada.

**NOT INTENDED FOR USE AS A PRIMARY HEAT SOURCE.**  
This appliance is tested and approved as either supplemental room heat or as a decorative appliance. It should not be factored as primary heat in residential heating calculations.

## B. Glass Specifications

Hearth & Home Technologies appliances manufactured with tempered glass may be installed in hazardous locations such as bathtub enclosures as defined by the Consumer Product Safety Commission (CPSC). The tempered glass has been tested and certified to the requirements of **ANSI Z97.1** and **CPSC 16 CFR 1202** (Safety Glazing Certification Council **SGCC# 1595** and **1597**. Architectural Testing, Inc. Reports **02-31919.01** and **02-31917.01**).

This statement is in compliance with **CPSC 16 CFR Section 1201.5** “Certification and labeling requirements” which refers to **15 U.S. Code (USC) 2063** stating “...Such certificate shall accompany the product or shall otherwise be furnished to any distributor or retailer to whom the product is delivered.”

Some local building codes require the use of tempered glass with permanent marking in such locations. Glass meeting this requirement is available from the factory. Please contact your dealer or distributor to order.

## C. BTU Specifications

| Models<br>(U.S. or Canada) |             | Maximum Input<br>BTU/h | Minimum Input<br>BTU/h | Orifice<br>Size<br>(DMS) |
|----------------------------|-------------|------------------------|------------------------|--------------------------|
| ST-36TRB-IFT<br>(NG)       | (0-2000 FT) | 38,000                 | 21,000                 | 32                       |
| ST-36TRB-IFT<br>(LP)       | (0-2000 FT) | 35,500                 | 20,000                 | 50                       |
| PIER-36TRB-IFT<br>(NG)     | (0-2000 FT) | 38,000                 | 21,000                 | 32                       |
| PIER-36TRB-IFT<br>(LP)     | (0-2000 FT) | 35,500                 | 20,000                 | 50                       |

## D. High Altitude Installations

**NOTICE:** If the heating value of the gas has been reduced, these rules do not apply. Check with your local gas utility or authorities having jurisdiction.

When installing above 2000 feet elevation:

- In the USA: Reduce input rate 4% for each 1000 feet above 2000 feet.
- In CANADA: Input ratings are certified without a reduction of input rate for elevations up to 4500 feet (1370 m) above sea level. Please consult provincial and/or local authorities having jurisdiction for installations at elevations above 4500 feet (1370 m).

Check with your local gas utility to determine proper orifice size.

## E. Non-Combustible Materials Specification

Material which will not ignite and burn. Such materials are those consisting entirely of steel, iron, brick, tile, concrete, slate, glass or plasters, or any combination thereof.

Materials that are reported as passing **ASTM E 136, Standard Test Method for Behavior of Materials in a Vertical Tube Furnace at 750 °C** shall be considered non-combustible materials.

## F. Combustible Materials Specification

Materials made of or surfaced with wood, compressed paper, plant fibers, plastics, or other material that can ignite and burn, whether flame proofed or not, or plastered or unplastered shall be considered combustible materials.

## G. Electrical Codes

**NOTICE:** This appliance must be electrically wired and grounded in accordance with local codes or, in the absence of local codes, with **National Electric Code ANSI/NFPA 70-latest edition or the Canadian Electric Code CSA C22.1**.

- A 110-120 VAC circuit for this product must be protected with ground-fault circuit-interrupter protection, in compliance with the applicable electrical codes, when it is installed in locations such as in bathrooms or near sinks.

**Note:** The following requirements reference various Massachusetts and national codes not contained in this document.

## H. Requirements for the Commonwealth of Massachusetts

For all side wall horizontally vented gas fueled equipment installed in every dwelling, building or structure used in whole or in part for residential purposes, including those owned or operated by the Commonwealth and where the side wall exhaust vent termination is less than seven (7) feet above finished grade in the area of the venting, including but not limited to decks and porches, the following requirements shall be satisfied:

### Installation of Carbon Monoxide Detectors

At the time of installation of the side wall horizontal vented gas fueled equipment, the installing plumber or gas fitter shall observe that a hard wired carbon monoxide detector with an alarm and battery back-up is installed on the floor level where the gas equipment is to be installed. In addition, the installing plumber or gas fitter shall observe that a battery operated or hard wired carbon monoxide detector with an alarm is installed on each additional level of the dwelling, building or structure served by the side wall horizontal vented gas fueled equipment. It shall be the responsibility of the property owner to secure the services of qualified licensed professionals for the installation of hard wired carbon monoxide detectors.

In the event that the side wall horizontally vented gas fueled equipment is installed in a crawl space or an attic, the hard wired carbon monoxide detector with alarm and battery back-up may be installed on the next adjacent floor level.

In the event that the requirements of this subdivision can not be met at the time of completion of installation, the owner shall have a period of thirty (30) days to comply with the above requirements; provided, however, that during said thirty (30) day period, a battery operated carbon monoxide detector with an alarm shall be installed.

### Approved Carbon Monoxide Detectors

Each carbon monoxide detector as required in accordance with the above provisions shall comply with NFPA 720 and be ANSI/UL 2034 listed and IAS certified.

### Signage

A metal or plastic identification plate shall be permanently mounted to the exterior of the building at a minimum height of eight (8) feet above grade directly in line with the exhaust vent terminal for the horizontally vented gas fueled heating appliance or equipment. The sign shall read, in print size no less than one-half (1/2) in. in size, "**GAS VENT DIRECTLY BELOW. KEEP CLEAR OF ALL OBSTRUCTIONS**".

## Inspection

The state or local gas inspector of the side wall horizontally vented gas fueled equipment shall not approve the installation unless, upon inspection, the inspector observes carbon monoxide detectors and signage installed in accordance with the provisions of 248 CMR 5.08(2)(a)1 through 4.

## Exemptions

The following equipment is exempt from 248 CMR 5.08(2)(a)1 through 4:

- The equipment listed in Chapter 10 entitled "Equipment Not Required To Be Vented" in the most current edition of NFPA 54 as adopted by the Board; and
- Product Approved side wall horizontally vented gas fueled equipment installed in a room or structure separate from the dwelling, building or structure used in whole or in part for residential purposes.

## MANUFACTURER REQUIREMENTS

### Gas Equipment Venting System Provided

When the manufacturer of Product Approved side wall horizontally vented gas equipment provides a venting system design or venting system components with the equipment, the instructions provided by the manufacturer for installation of the equipment and the venting system shall include:

- Detailed instructions for the installation of the venting system design or the venting system components; and
- A complete parts list for the venting system design or venting system.

### Gas Equipment Venting System NOT Provided

When the manufacturer of a Product Approved side wall horizontally vented gas fueled equipment does not provide the parts for venting the flue gases, but identifies "special venting systems", the following requirements shall be satisfied by the manufacturer:

- The referenced "special venting system" instructions shall be included with the appliance or equipment installation instructions; and
- The "special venting systems" shall be Product Approved by the Board, and the instructions for that system shall include a parts list and detailed installation instructions.

A copy of all installation instructions for all Product Approved side wall horizontally vented gas fueled equipment, all venting instructions, all parts lists for venting instructions, and/or all venting design instructions shall remain with the appliance or equipment at the completion of the installation.

**See Gas Connection section for additional Commonwealth of Massachusetts requirements.**



# 2 Getting Started

## A. Design and Installation Considerations

Heat & Glo direct vent gas appliances are designed to operate with all combustion air siphoned from outside of the building and all exhaust gases expelled to the outside. No additional outside air source is required.

Installation **MUST** comply with local, regional, state and national codes and regulations. Consult insurance carrier, local building inspector, fire officials or authorities having jurisdiction over restrictions, installation inspection and permits.

**Before** installing, determine the following:

- Where the appliance is to be installed.
- The vent system configuration to be used.
- Gas supply piping requirements.
- Electrical wiring requirements.
- Framing and finishing details.
- Whether optional accessories—devices such as a fan, wall switch, or remote control—are desired.

Installation and service of this appliance should be performed by qualified personnel. Hearth & Home Technologies recommends HHT Factory Trained or NFI certified professionals.



Improper installation, adjustment, alteration, service or maintenance can cause injury or property damage. For assistance or additional information, consult a qualified service technician, service agency or your dealer.

## B. Good Faith Wall Surface/TV Guidelines

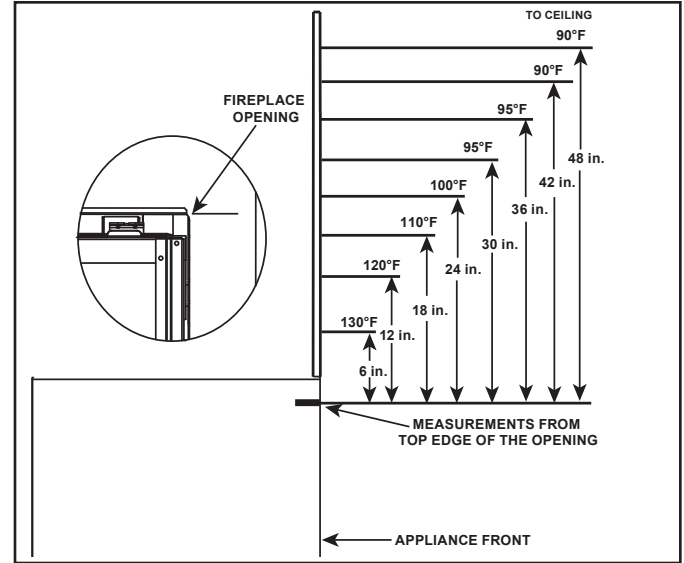


Figure 2.1 Good Faith Wall Surface Temperatures Above Appliance

**NOTICE:** Temperatures listed above are taken with a temperature measuring probe as prescribed by the test standard used for appliance certification. Temperatures on walls or mantels taken with an infrared thermometer may yield increased temperatures of up to 30 degrees or more depending on the thermometer settings and material characteristics being measured.

## C. Tools and Supplies Needed

Before beginning the installation be sure that the following tools and building supplies are available.

- |  |                                   |
|--|-----------------------------------|
| Tape measure   | Framing material                  |
| Pliers   | Hammer                            |
| Phillips screwdriver   | Manometer                         |
| Gloves   | Framing square                    |
| Voltmeter  | Electric drill and bits (1/4 in.) |
| Plumb line   | Safety glasses                    |
| Level  | Reciprocating saw                 |
| Flat blade screwdriver                                       |                                   |
| Non-corrosive leak check solution                            |                                   |
| 1/2 - 3/4 in. length, #6 or #8 Self-drilling screws          |                                   |
| Caulking material (300°F minimum continuous exposure rating) |                                   |
| One 1/4 in. female connection (for optional fan).            |                                   |

## D. Inspect Appliance and Components

- Carefully remove the appliance and components from the packaging.
- The vent system components and decorative doors and fronts may be shipped in separate packages.
- If packaged separately, the log set and appliance grate must be installed.
- Report to your dealer any parts damaged in shipment, particularly the condition of the glass.
- **Read all of the instructions before starting the installation. Follow these instructions carefully during the installation to ensure maximum safety and benefit.**

**WARNING! Risk of Fire or Explosion!** Damaged parts could impair safe operation. **DO NOT** install damaged, incomplete or substitute components. Keep appliance dry.

Hearth & Home Technologies disclaims any responsibility for, and the warranty will be voided by, the following actions:

- Installation and use of any damaged appliance or vent system component.
- Modification of the appliance or vent system.
- Installation other than as instructed by Hearth & Home Technologies.
- Improper positioning of the gas logs or the glass door.
- Installation and/or use of any component part not approved by Hearth & Home Technologies.

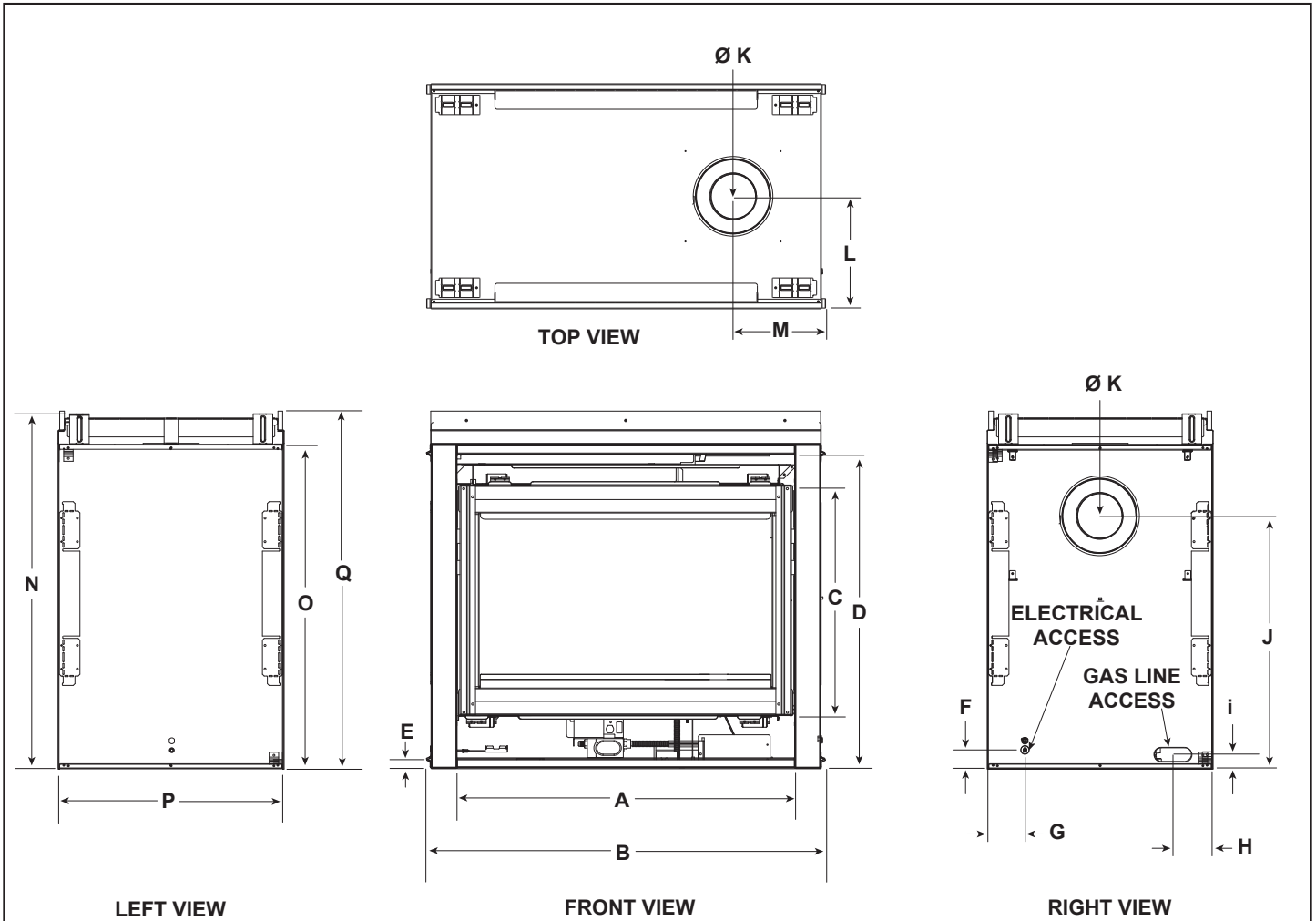
**Any such action may cause a fire hazard.**

**WARNING! Risk of Fire, Explosion or Electric Shock!** **DO NOT** use this appliance if any part has been under water. Call a qualified service technician to inspect the appliance and to replace any part of the control system and/or gas control which has been under water.

# 3 Framing and Clearances

## A. Appliance/Decorative Front Dimension Diagrams

Dimensions are actual appliance dimensions. Use for reference only. For framing dimensions and clearances refer to Section 5.

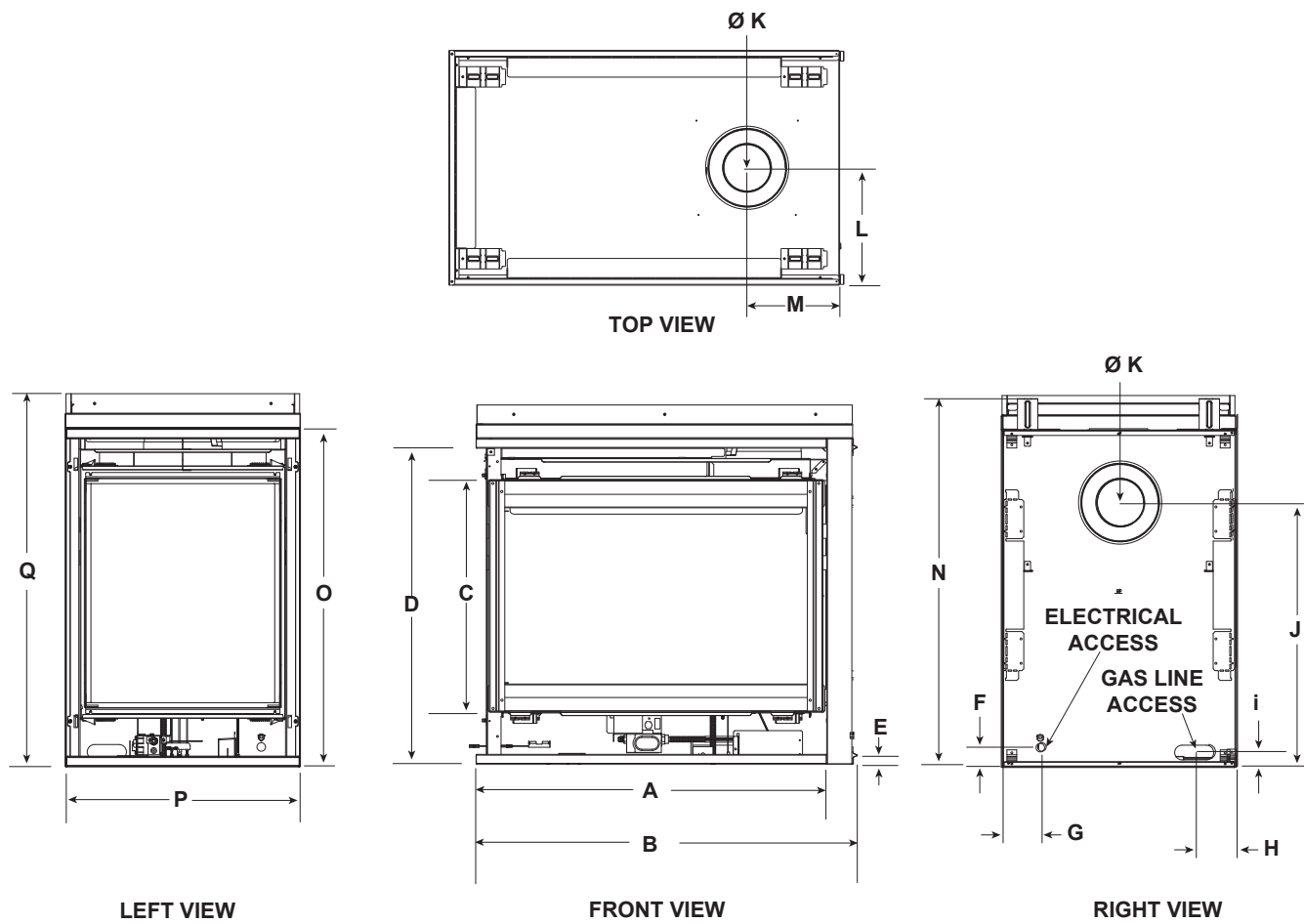


| Location | Inches | Millimeters |
|----------|--------|-------------|
| A        | 36     | 914         |
| B        | 42-1/2 | 1080        |
| C        | 24-1/2 | 622         |
| D        | 33-1/2 | 851         |
| E        | 1      | 25          |
| F        | 2-1/8  | 54          |
| G        | 4-1/8  | 105         |
| H        | 4-1/4  | 108         |

| Location | Inches | Millimeters |
|----------|--------|-------------|
| I        | 1-1/2  | 38          |
| J        | 27     | 686         |
| K        | 8      | 203         |
| L        | 12     | 305         |
| M        | 9-1/2  | 241         |
| N        | 38     | 965         |
| O        | 34-5/8 | 880         |
| P        | 24     | 610         |
| Q        | 38-1/8 | 968         |

Figure 3.1 Appliance Dimensions - ST-36TRB-IFT



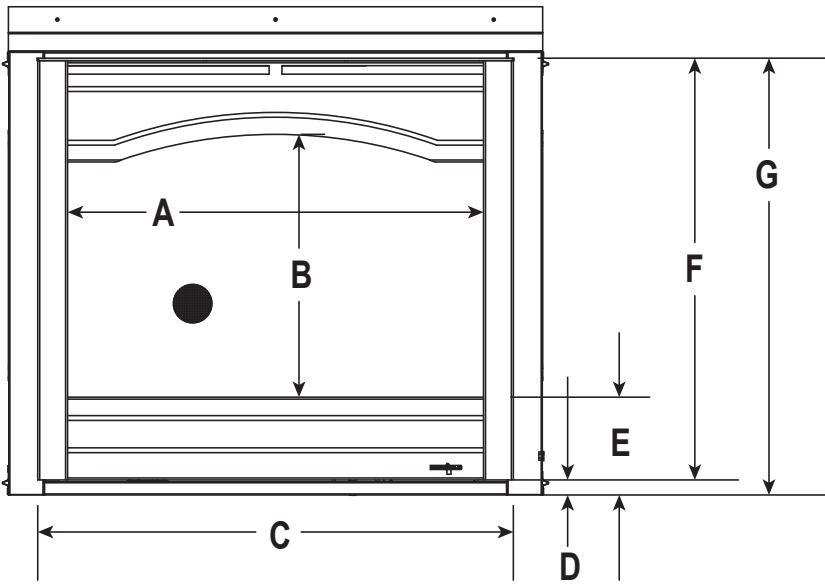


| Location | Inches | Millimeters |
|----------|--------|-------------|
| A        | 37-1/8 | 943         |
| B        | 40-1/2 | 1029        |
| C        | 24-1/2 | 622         |
| D        | 33-1/2 | 851         |
| E        | 1      | 25          |
| F        | 2-1/8  | 54          |
| G        | 4-1/8  | 105         |
| H        | 4-1/4  | 108         |

| Location | Inches | Millimeters |
|----------|--------|-------------|
| I        | 1-1/2  | 38          |
| J        | 27     | 686         |
| K        | 8      | 203         |
| L        | 12     | 305         |
| M        | 9-1/2  | 241         |
| N        | 38     | 965         |
| O        | 34-5/8 | 880         |
| P        | 24     | 610         |
| Q        | 38-1/8 | 968         |

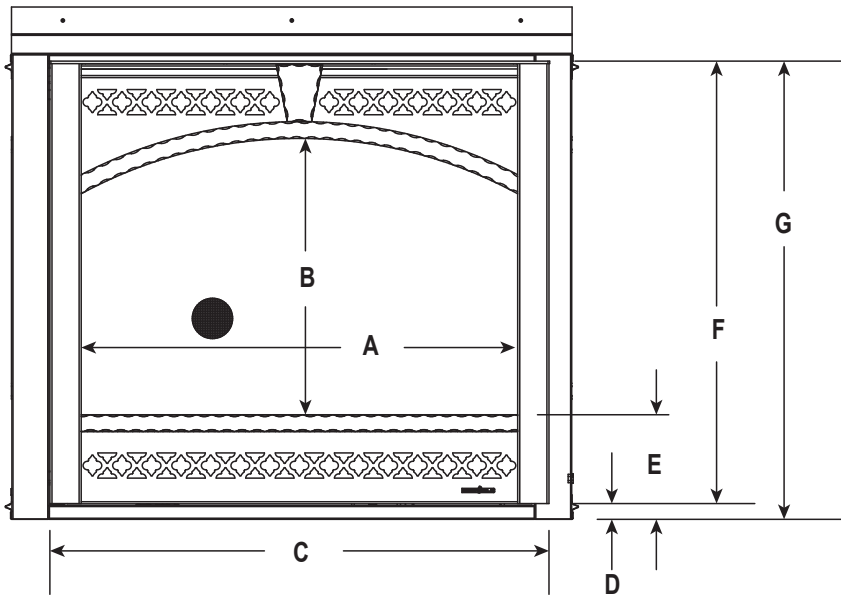
Figure 3.2 Appliance Dimensions - PIER-36TRB-IFT

**DECORATIVE FRONT - ARCADIA**  
 (Model: ST-36TRB-IFT, PIER-36TRB-IFT)



| Location | ARC-36  |             |
|----------|---------|-------------|
|          | Inches  | Millimeters |
| A        | 32-7/16 | 824         |
| B        | 20-1/2  | 521         |
| C        | 37-1/16 | 941         |
| D        | 1-3/16  | 30          |
| E        | 7-5/8   | 194         |
| F        | 32-7/8  | 835         |
| G        | 34-1/4  | 870         |

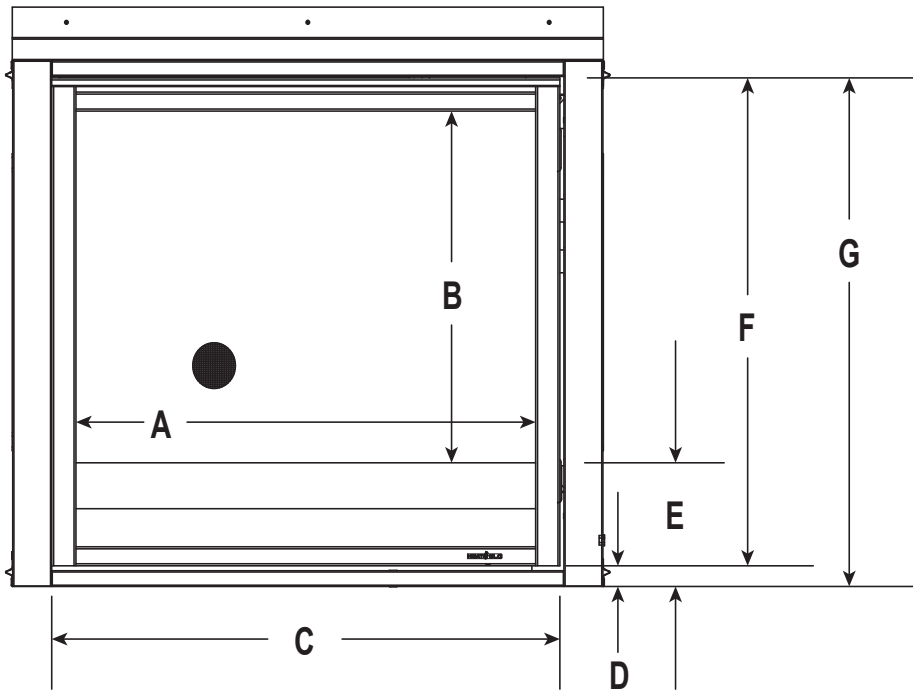
**DECORATIVE FRONT - CHATEAU**  
 (Model: ST-36TRB-IFT, PIER-36TRB-IFT)



| Location | CHA-36  |             |
|----------|---------|-------------|
|          | Inches  | Millimeters |
| A        | 32-7/16 | 824         |
| B        | 20-1/2  | 521         |
| C        | 37-1/16 | 941         |
| D        | 1-3/16  | 30          |
| E        | 7-13-16 | 198         |
| F        | 32-7/8  | 835         |
| G        | 34-1/16 | 865         |

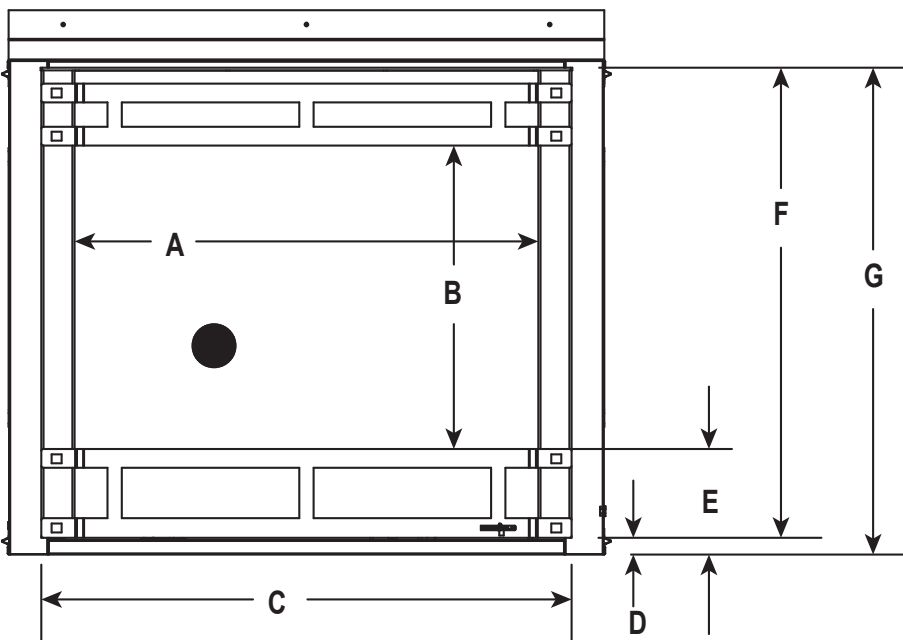
Figure 3.3 Decorative Front Dimensions - ARCADIA and CHATEAU

**DECORATIVE FRONT - FOLIO**  
**(Model: ST-36TRB-IFT, PIER-36TRB-IFT)**



| Location | FOL-36   |             |
|----------|----------|-------------|
|          | Inches   | Millimeters |
| A        | 32-3/8   | 822         |
| B        | 23-1/8   | 587         |
| C        | 35-13/16 | 910         |
| D        | 1-3/8    | 35          |
| E        | 8-1/8    | 206         |
| F        | 32-1/16  | 814         |
| G        | 33-7/16  | 849         |

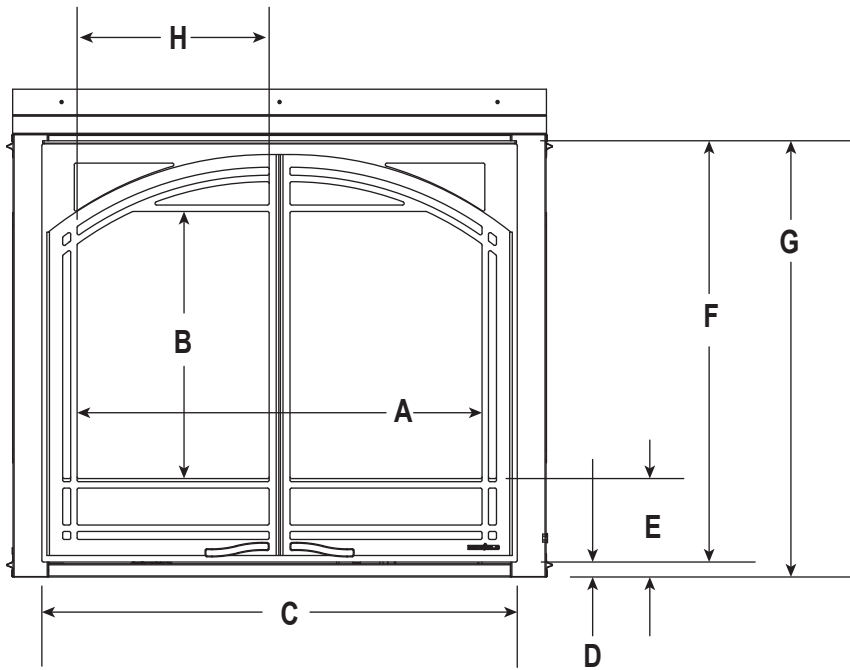
**DECORATIVE FRONT - HALSTON**  
**(Model: ST-36TRB-IFT)**



| Location | HAL-36  |             |
|----------|---------|-------------|
|          | Inches  | Millimeters |
| A        | 32-7/16 | 824         |
| B        | 21-1/4  | 540         |
| C        | 37-1/16 | 941         |
| D        | 1-3/16  | 30          |
| E        | 7-3/8   | 187         |
| F        | 32-7/8  | 835         |
| G        | 34-1/16 | 865         |

Figure 3.4 Decorative Front Dimensions - FOLIO and HALSTON

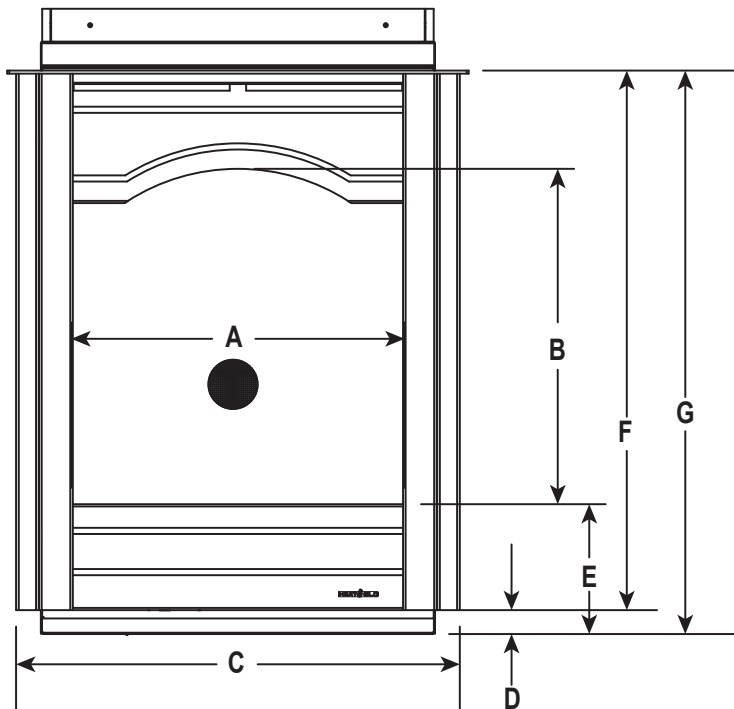
**DECORATIVE FRONT - GALLERIA-6**  
**(Model: ST-36TRB-IFT)**



| Location | GALLERIA-6 |             |
|----------|------------|-------------|
|          | Inches     | Millimeters |
| A        | 31-9/16    | 802         |
| B        | 20-7/8     | 530         |
| C        | 37-1/8     | 943         |
| D        | 1-1/4      | 32          |
| E        | 7-3/4      | 197         |
| F        | 32-7/8     | 835         |
| G        | 34-1/16    | 865         |
| H        | 15         | 381         |

Figure 3.5 Decorative Front Dimensions - GALLERIA

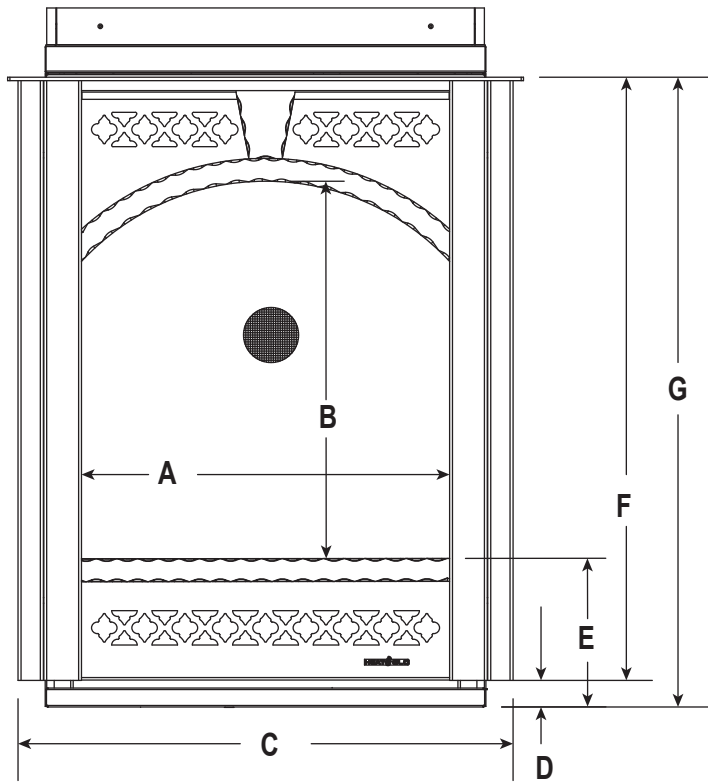
**END PANEL - EP-ARC36**  
**(Model: PIER-36TRB-IFT)**



| Location | EP-ARC36 |             |
|----------|----------|-------------|
|          | Inches   | Millimeters |
| A        | 20-1/8   | 511         |
| B        | 20-3/8   | 518         |
| C        | 27-1/16  | 687         |
| D        | 1-3/8    | 35          |
| E        | 7-13/16  | 198         |
| F        | 32-7/8   | 835         |
| G        | 34-1/4   | 870         |

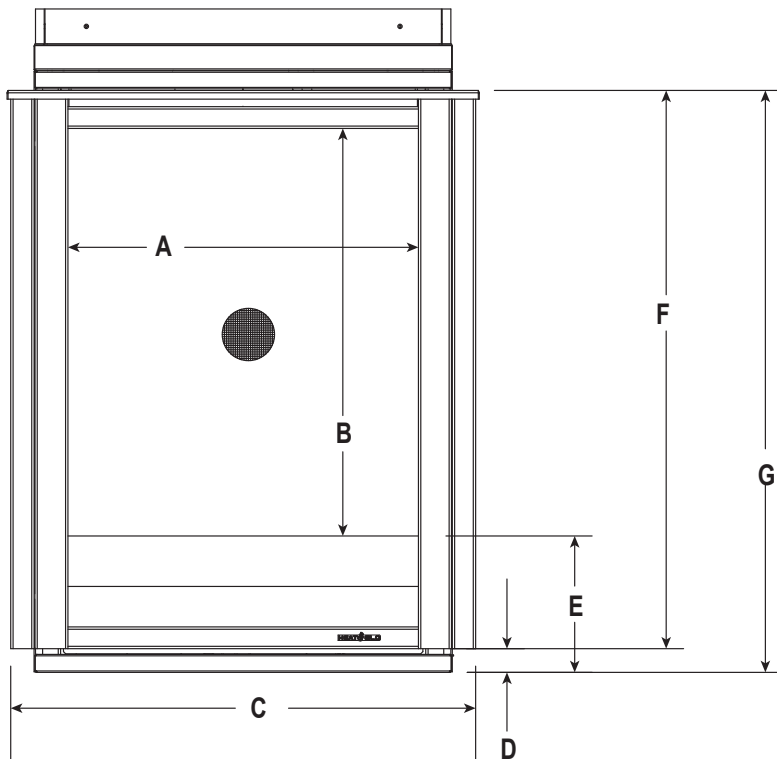
Figure 3.6 End Panel Dimensions - EP-ARC36

**END PANEL - EP-CHA36**  
**(Model: PIER-36TRB-IFT)**



| EP-CHA36 |         |             |
|----------|---------|-------------|
| Location | Inches  | Millimeters |
| A        | 20-1/16 | 510         |
| B        | 20-9/16 | 522         |
| C        | 27      | 686         |
| D        | 1-3/16  | 30          |
| E        | 8-1/8   | 206         |
| F        | 32-7/8  | 835         |
| G        | 34-1/16 | 865         |

**END PANEL - EP-FOL36**  
**(Model: PIER-36TRB-IFT)**



| EP-FOL36 |          |             |
|----------|----------|-------------|
| Location | Inches   | Millimeters |
| A        | 20-1/8   | 511         |
| B        | 23       | 584         |
| C        | 26-13/16 | 681         |
| D        | 1-3/8    | 35          |
| E        | 8-1/8    | 206         |
| F        | 32-1/16  | 813         |
| G        | 33-7/16  | 849         |

Figure 3.7 End Panel Dimensions - EP-CHA36 and EP-FOL36

## B. Clearances to Combustibles

When selecting a location for the appliance it is important to consider the required clearances to walls (see Figure 3.8).

**WARNING! Risk of Fire or Burns!** Provide adequate clearance around air openings and for service access. Due to high temperatures, the appliance should be located out of traffic and away from furniture and draperies.

**NOTICE:** Illustrations reflect typical installations and are FOR DESIGN PURPOSES ONLY. Illustrations/diagrams are not drawn to scale. Actual installation may vary due to individual design preference.

**NOTICE:** This See-Through appliance is NOT designed or approved for an indoor/outdoor application.

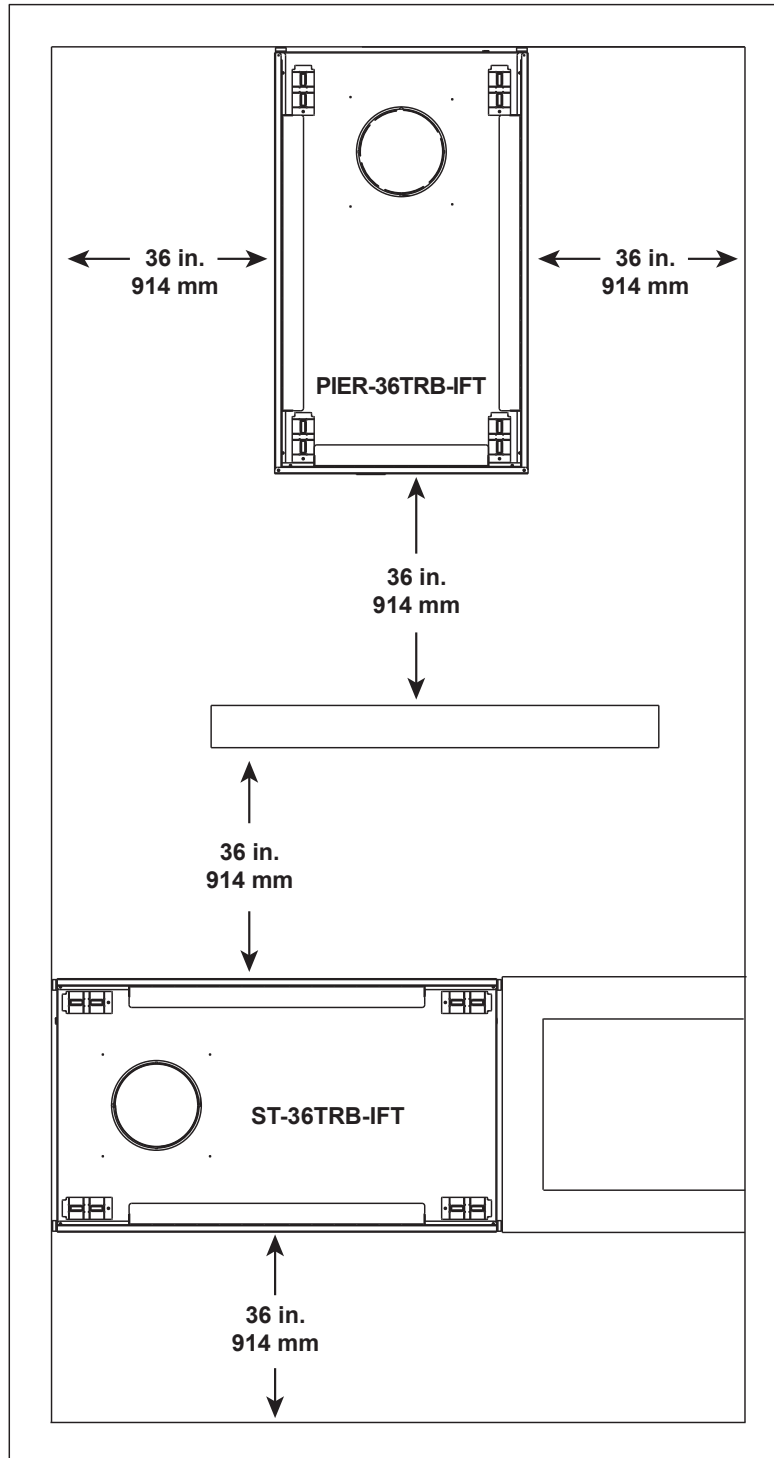


Figure 3.8 Appliance Locations



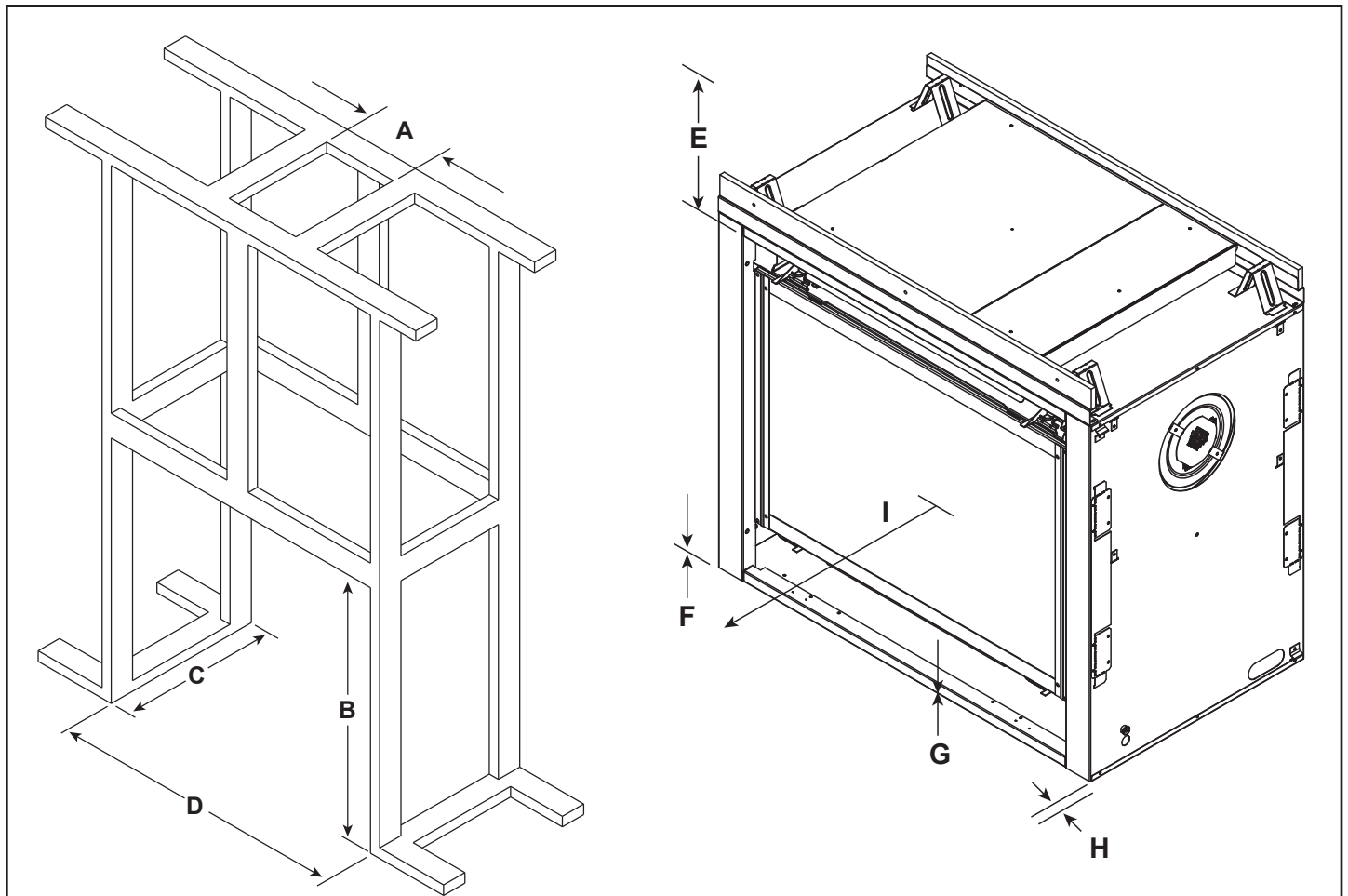
### C. Clearances to Combustibles

**NOTICE:** Install appliance on hard metal or wood surfaces extending full width and depth. **DO NOT** install directly on carpeting, vinyl, tile or any combustible material other than wood.

**WARNING! Risk of Fire!** Maintain specified air space clearances to appliance and vent pipe:

- Insulation and other materials must be secured to prevent accidental contact.
- The chase must be properly blocked to prevent blown insulation or other combustibles from entering and making contact with fireplace or chimney.
- Failure to maintain airspace may cause overheating and a fire.

**NOTICE:** Illustrations reflect typical installations and are FOR DESIGN PURPOSES ONLY. Illustrations/diagrams are not drawn to scale. Actual installation may vary due to individual design preference.

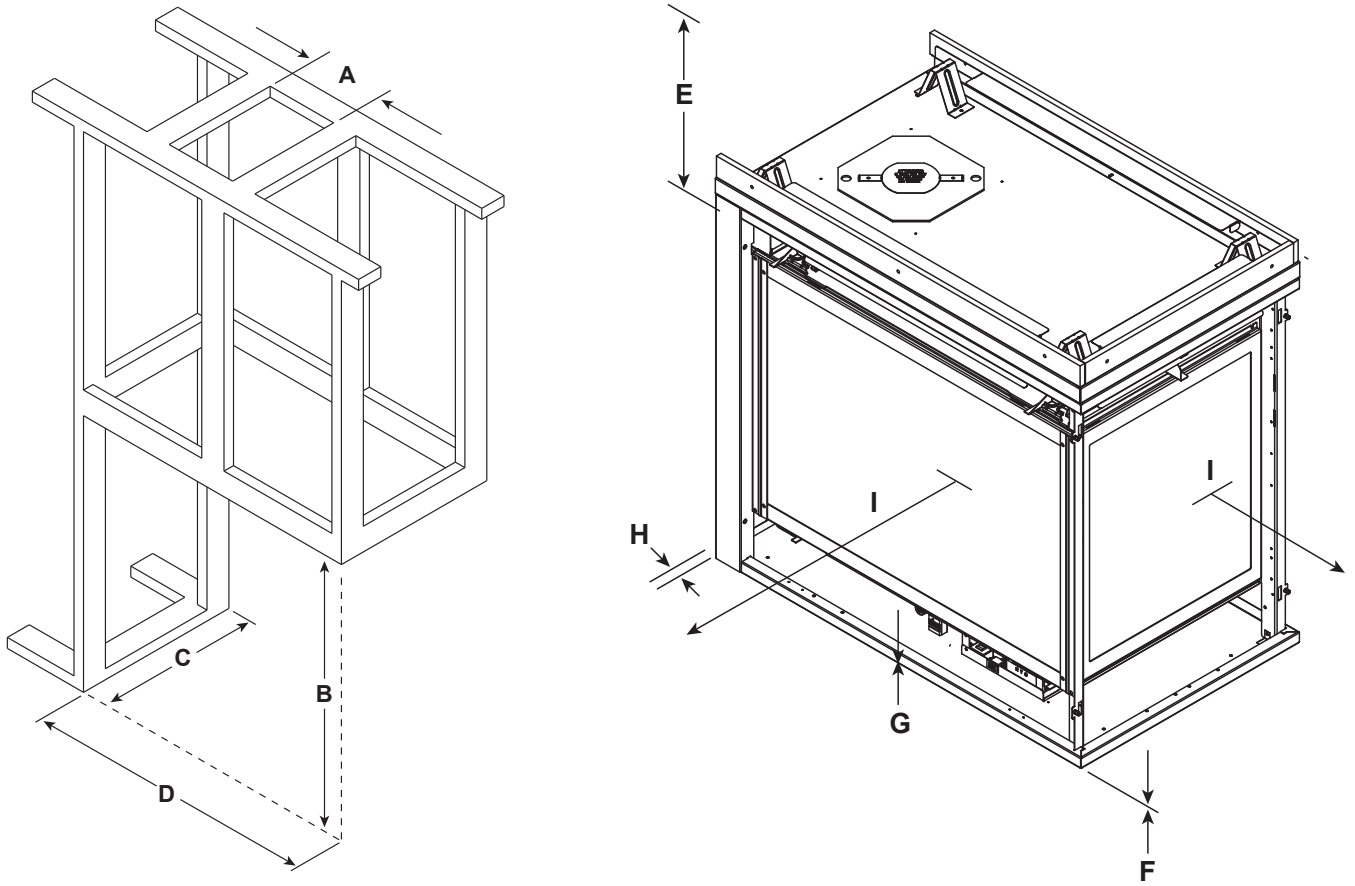


| ST-36TRB-IFT | A                     |                       | B                      | C                     | D                     | E                    | F                 | G                    | H                 | I                  |
|--------------|-----------------------|-----------------------|------------------------|-----------------------|-----------------------|----------------------|-------------------|----------------------|-------------------|--------------------|
|              | DVP Pipe              | SLP Pipe              | Rough Opening (Height) | Rough Opening (Depth) | Rough Opening (Width) | Clearance to Ceiling | Combustible Floor | Combustible Flooring | Ends of Appliance | Sides of Appliance |
|              | Rough Opening (Width) | Rough Opening (Width) |                        |                       |                       |                      |                   |                      |                   |                    |
| Inches       | 10                    | 9                     | 38-1/8                 | 23                    | 43                    | 31                   | 0                 | 0                    | 1/2               | 36                 |
| Millimeters  | 254                   | 229                   | 968                    | 584                   | 1092                  | 787                  | 0                 | 0                    | 13                | 914                |

Adjust framing dimensions for interior sheathing (such as sheetrock)

**Figure 3.9 Clearances to Combustibles - ST-36TRB-IFT**

**NOTICE:** Illustrations reflect typical installations and are FOR DESIGN PURPOSES ONLY. Illustrations/diagrams are not drawn to scale. Actual installation may vary due to individual design preference.



| PIER-36TRB-IFT | A                     |                       | B                      | C                     | D                     | E                    | F                 | G                    | H                | I                  |
|----------------|-----------------------|-----------------------|------------------------|-----------------------|-----------------------|----------------------|-------------------|----------------------|------------------|--------------------|
|                | DVP Pipe              | SLP Pipe              | Rough Opening (Height) | Rough Opening (Depth) | Rough Opening (Width) | Clearance to Ceiling | Combustible Floor | Combustible Flooring | End of Appliance | Sides of Appliance |
|                | Rough Opening (Width) | Rough Opening (Width) |                        |                       |                       |                      |                   |                      |                  |                    |
| Inches         | 10                    | 9                     | 38-1/8                 | 23                    | 40                    | 31                   | 0                 | 0                    | 1/2              | 36                 |
| Millimeters    | 254                   | 229                   | 968                    | 584                   | 1016                  | 787                  | 0                 | 0                    | 13               | 914                |

Adjust framing dimensions for interior sheathing (such as sheetrock)

**Figure 3.10 Clearances to Combustibles - PIER-36TRB-IFT**

## D. Constructing the Appliance Chase

A chase is a vertical box-like structure built to enclose the gas appliance and/or its vent system. In cooler climates the vent should be enclosed inside the chase.

**NOTICE:** Treatment of ceiling firestops and wall shield firestops and construction of the chase may vary with the type of building. These instructions are not substitutes for the requirements of local building codes. Therefore, you **MUST** check local building codes to determine the requirements to these steps.

Chases should be constructed in the manner of all outside walls of the home to prevent cold air drafting problems. The chase should not break the outside building envelope in any manner.

Walls, ceiling, base plate and cantilever floor of the chase should be insulated. Vapor and air infiltration barriers should be installed in the chase as per regional codes for the rest of the home. Additionally, in regions where cold air infiltration may be an issue, the inside surfaces may be sheetrocked and taped (or an equivalent method may be used) to achieve maximum air tightness.

To further prevent drafts, the wall shield and ceiling firestops should be caulked with caulk with a minimum of 300°F continuous exposure rating to seal gaps. Gas line holes and other openings should be caulked with caulk with a minimum of 300°F continuous exposure rating or stuffed with unfaced insulation. If the appliance is being installed on a cement surface, a layer of plywood may be placed underneath to prevent conducting cold up into the room.

**NOTICE:** Install appliance on hard metal or wood surfaces extending full width and depth. **DO NOT** install directly on carpeting, vinyl, tile or any combustible material other than wood.

**WARNING! Risk of Fire!** Maintain specified air space clearances to appliance and vent pipe:

- Insulation and other materials must be secured to prevent accidental contact.
- The chase must be properly blocked to prevent blown insulation or other combustibles from entering and making contact with fireplace or chimney.
- Failure to maintain airspace may cause overheating and a fire.

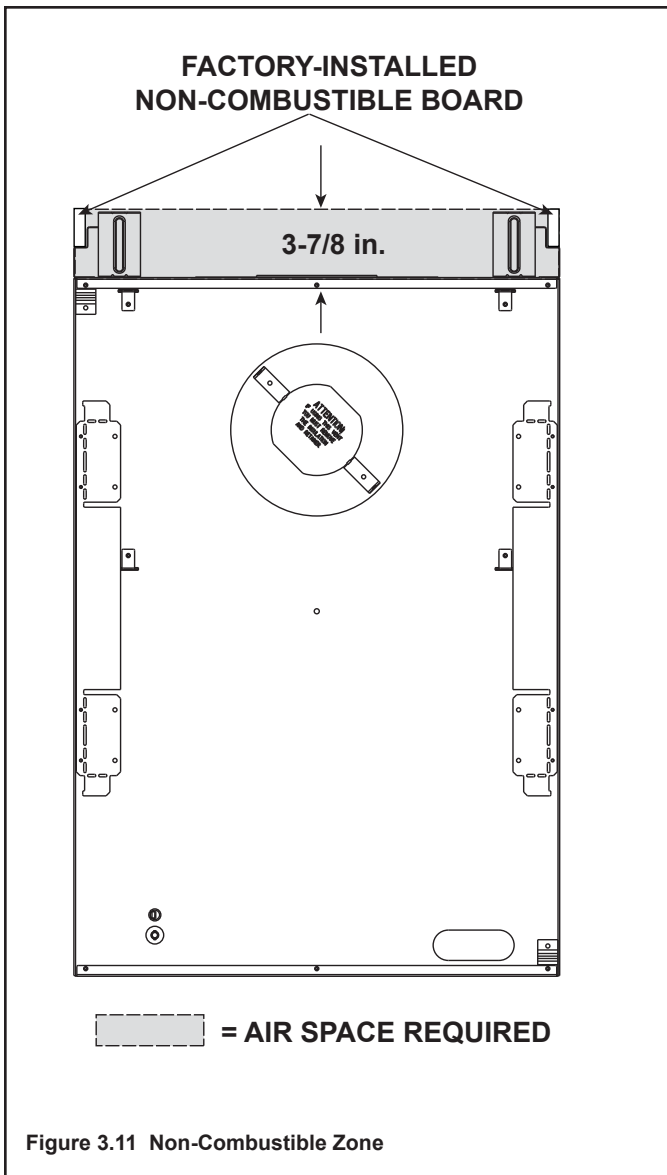


Figure 3.11 Non-Combustible Zone

# 4 Termination Location and Vent Information

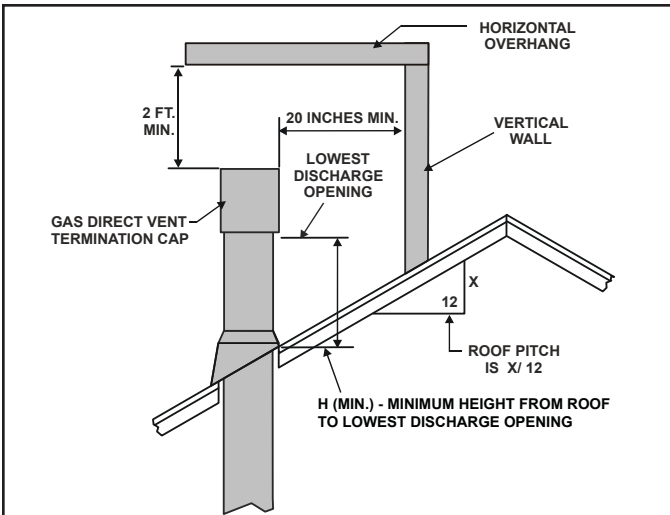
## A. Vent Termination Minimum Clearances

**⚠ WARNING**

Fire Risk.  
Maintain vent clearance to combustibles as specified.

- **DO NOT** pack air space with insulation or other materials.

Failure to keep insulation or other materials away from vent pipe could cause overheating and fire.



| Roof Pitch               | H (Min.) Ft. |
|--------------------------|--------------|
| Flat to 6/12.....        | 1.0*         |
| Over 6/12 to 7/12.....   | 1.25*        |
| Over 7/12 to 8/12.....   | 1.5*         |
| Over 8/12 to 9/12.....   | 2.0*         |
| Over 9/12 to 10/12.....  | 2.5*         |
| Over 10/12 to 11/12..... | 3.25         |
| Over 11/12 to 12/12..... | 4.0          |
| Over 12/12 to 14/12..... | 5.0          |
| Over 14/12 to 16/12..... | 6.0          |
| Over 16/12 to 18/12..... | 7.0          |
| Over 18/12 to 20/12..... | 7.5          |
| Over 20/12 to 21/12..... | 8.0          |

\* H minimum may vary depending on regional snowfall. Refer to local codes.

**Figure 4.1 Minimum Height From Roof to Lowest Discharge Opening**

| A   | B                        |
|---|--------------------------|
| 6 in. (minimum) up to 20 in.<br>152 mm/508 mm | 18 in. minimum<br>457 mm |
| 20 in. and over                               | 0 in. minimum            |

Gas, Wood or Fuel Oil Termination Cap

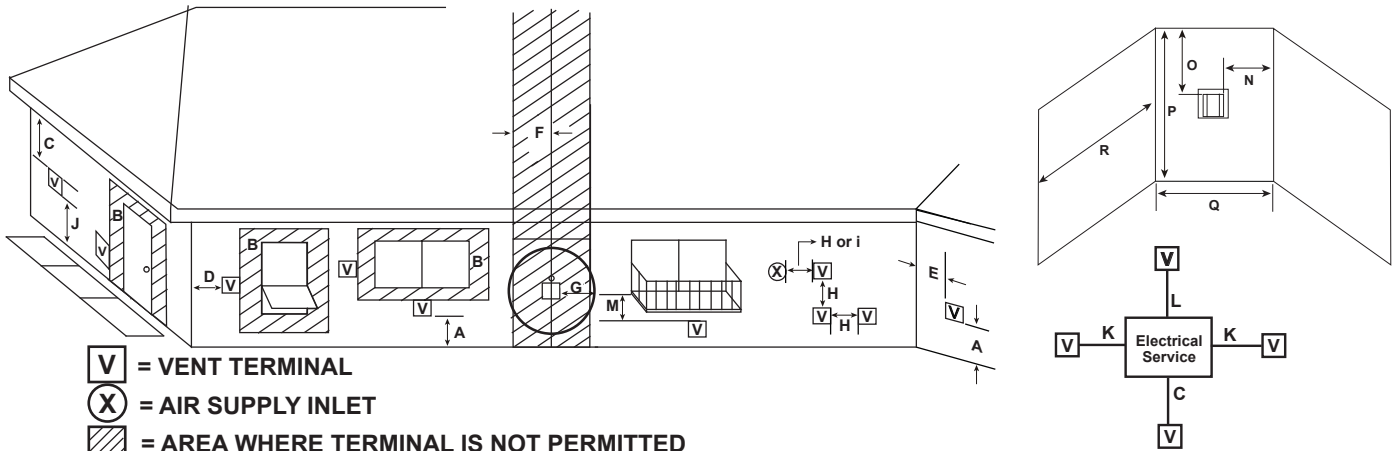
Gas Termination Cap \*\*

\* If using decorative cap cover(s), this distance may need to be increased. Refer to the installation instructions supplied with the decorative cap cover.

\*\* In a staggered installation with both gas and wood or fuel oil terminations, the wood or fuel oil termination cap must be higher than the gas termination cap.

**Figure 4.2 Staggered Termination Caps**

## B. Chimney Diagram



- V** = VENT TERMINAL
- X** = AIR SUPPLY INLET
- = AREA WHERE TERMINAL IS NOT PERMITTED

- A = 12 inches.....clearances above grade, veranda, porch, deck or balcony
- B = 12 inches.....clearance to window or door that may be opened, or to permanently closed window
- C = 18 inches.....clearance below unventilated soffit  
18 inches.....clearance below ventilated soffit  
30 inches.....clearance below vinyl soffits and electrical service
- D = 6 inches.....clearance to outside corner
- E = 6 inches.....clearance to inside corner
- F = 3 ft. (Canada).....not to be installed above a gas meter/regulator assembly within 3 feet horizontally from the center-line of the regulator
- G = 3 ft.....clearance to gas service regulator vent outlet
- H = 12 inches.....clearance to non-mechanical (unpowered) air supply inlet, combustion air inlet or direct-vent termination
- i = 3 ft. (U.S.A.)  
6 ft. (Canada).....clearance to a mechanical (powered) air supply inlet

All mechanical air intakes within 10 feet of a termination cap must be a minimum of 3 feet below termination.

- J = 7 ft..... On **public** property: clearance above paved sidewalk or a paved driveway.

A vent shall not terminate directly above a sidewalk or paved driveway which is located between two single family dwellings and serves both dwellings.

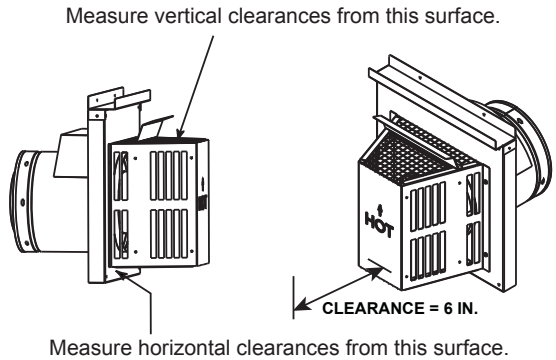
- K = 6 inches.....clearance from sides of electrical service
- L = 12 inches.....clearance above electrical service  
Location of the vent termination must not interfere with access to the electrical service.

- M = 18 inches ..... clearance under veranda, porch, deck, balcony or overhang  
42 inches .....vinyl or composite overhang  
Permitted when veranda, porch, deck or balcony is fully open on a minimum of 2 sides beneath the floor.

**Covered Alcove Applications**  
(Spaces open only on one side and with an overhang)

- N = 6 inches ..... non-vinyl sidewalls  
12 inches ..... vinyl sidewalls
- O = 18 inches ..... non-vinyl soffit and overhang  
42 inches ..... vinyl soffit and overhang
- P = 8 ft.

|  | $Q_{MIN}$ | $R_{MAX}$               |
|--|-----------|-------------------------|
| 1 cap  | 3 feet    | $2 \times Q_{ACTUAL}$   |
| 2 caps   | 6 feet    | $1 \times Q_{ACTUAL}$   |
| 3 caps   | 9 feet    | $2/3 \times Q_{ACTUAL}$ |
| 4 caps   | 12 feet   | $1/2 \times Q_{ACTUAL}$ |
| $Q_{MIN} = \# \text{ termination caps} \times 3$ $R_{MAX} = (2 / \# \text{ termination caps}) \times Q_{ACTUAL}$ |           |                         |



**CAUTION! Risk of Burns!** Termination caps are HOT, consider proximity to doors, traffic areas or where people may pass or gather (sidewalk, deck, patio, etc.). Listed cap shields available. Contact your dealer.

- Local codes or regulations may require different clearances.
- Vent system termination is **NOT** permitted in screened porches.
- Vent system termination is permitted in porch areas with two or more sides open.
- Hearth & Home Technologies assumes no responsibility for the improper performance of the appliance when the venting system does not meet these requirements.
- Vinyl protection kits are suggested for use with vinyl siding.

**Figure 4.3 Minimum Clearances for Termination**

### C. Approved Pipe

This appliance is approved for use with Hearth & Home Technologies DVP or SLP venting systems. Refer to Section 12.A for vent component information and dimensions.

**DO NOT** mix pipe, fittings or joining methods from different manufacturers.

The pipe is tested to be run inside an enclosed wall. There is no requirement for inspection openings at each joint within the wall.

**WARNING! Risk of Fire or Asphyxiation.** *This appliance requires a separate vent. DO NOT vent to a pipe serving a separate solid fuel burning appliance.*



## D. Use of Elbows

Diagonal runs have both vertical and horizontal vent aspects when calculating the effects. Use the rise for the vertical aspect and the run for the horizontal aspect. See Figure 4.4.

Two 45° elbows may be used in place of one 90° elbow. On 45° runs, one foot of diagonal is equal to 8-1/2 in. (216 mm) horizontal run and 8-1/2 in. (216 mm) vertical run. A length of straight pipe is allowed between two 45° elbows. See Figure 4.4.

Figure 4.5 shows the vertical and horizontal offsets for DVP or SLP elbows.

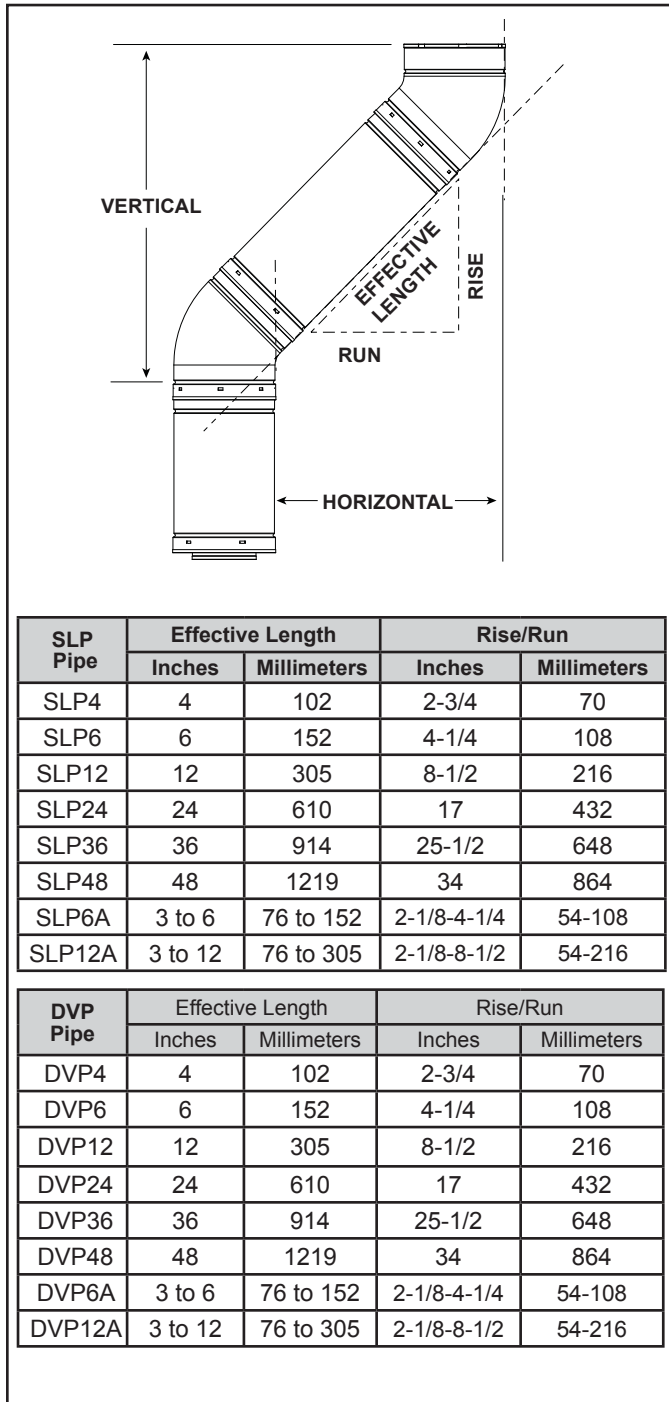


Figure 4.4

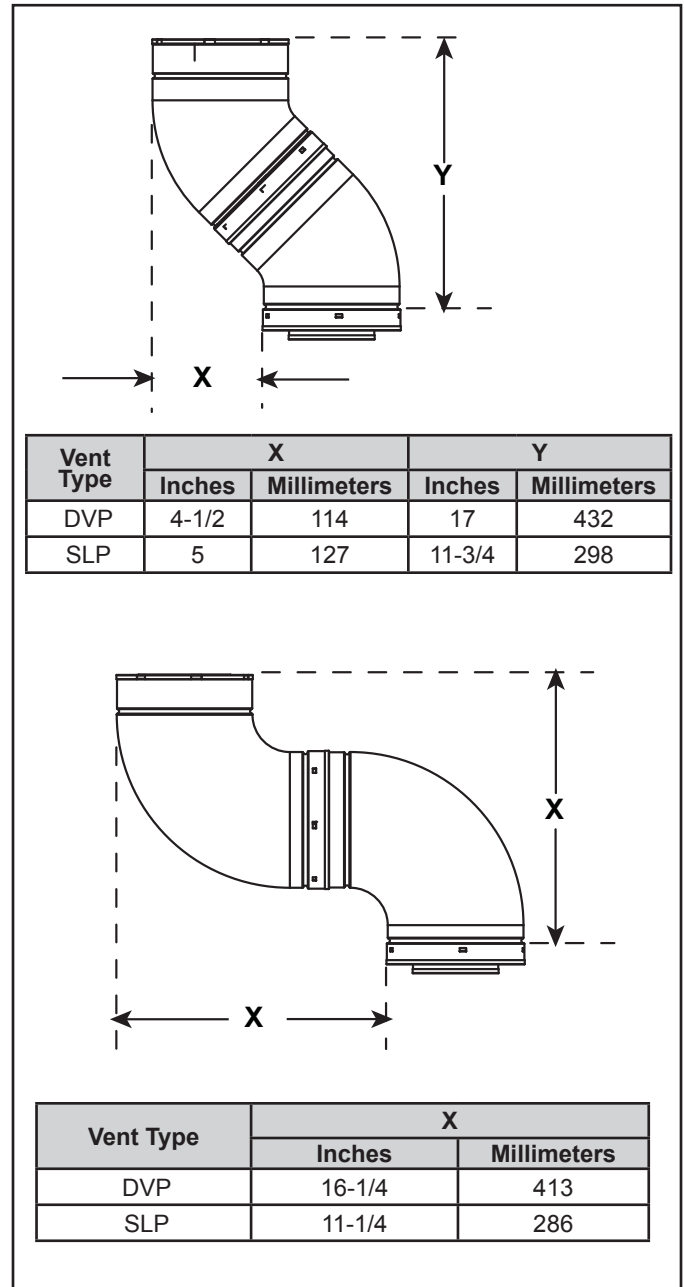


Figure 4.5 Vertical and Horizontal Offset for DVP and SLP Elbows

## E. Measuring Standards

Vertical and horizontal measurements listed in the vent diagrams were made using the following standards:

- Pipe measurements are shown using the effective length of pipe. See Section 12.A (Figure 12.1 for DVP, Figure 12.8 for SLP) for information on effective length of pipe components.
- Horizontal terminations are measured to the outside mounting surface (flange of termination cap) (see Figure 4.6).
- Vertical terminations are measured to top of last section of pipe. See Figure 4.7.
- Horizontal pipe installed level with no rise.

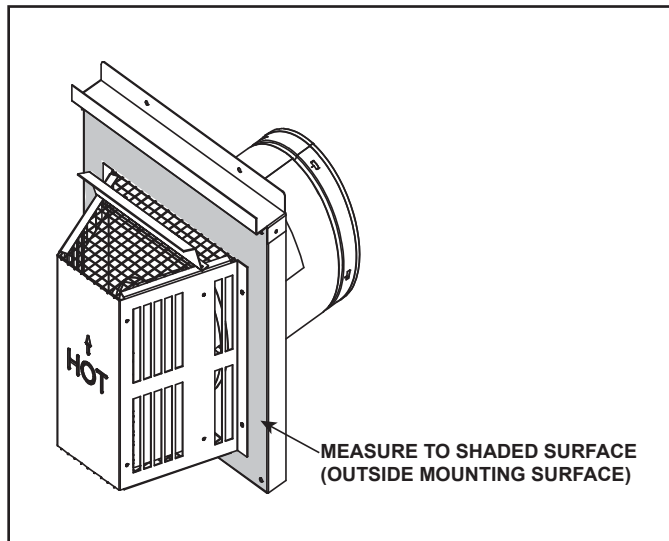


Figure 4.6 Measure to Outside Mounting Surface

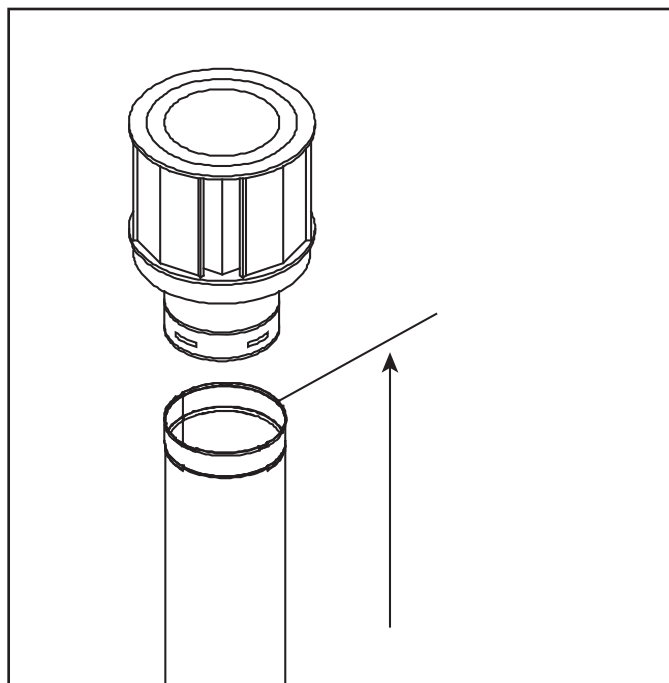


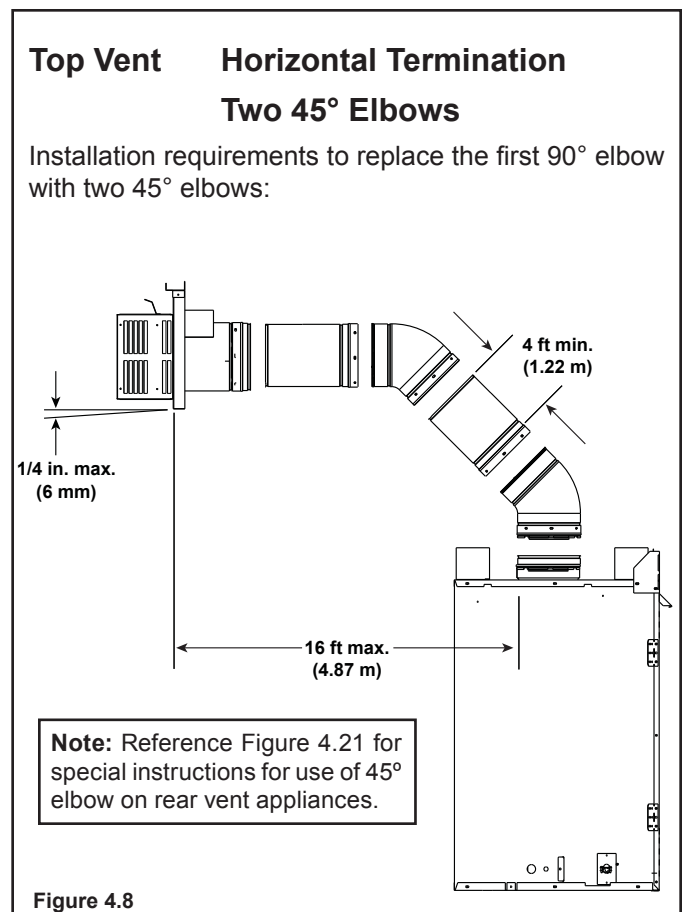
Figure 4.7. Measure to Top of Last Section of Pipe

## F. Vent Diagrams

To replace the first starter elbow with two 45° elbows, refer to Figure 4.8. All other 90° elbows can be replaced with two 45° elbows.

General Rules:

- SUBTRACT 3 ft. from the total H measurement for each 90° elbow installed horizontally.
- SUBTRACT 1-1/2 ft. from the total H measurement for each 45° elbow installed horizontally.
- A maximum of three 90° elbows (or six 45° elbows) may be used in any vent configuration. Some elbows may be installed horizontally.
- Elbows may be placed back to back anywhere in the system.
- Any 90° elbow may be replaced with two back to back 45° elbows.
- When penetrating a combustible wall, a wall shield firestop must be installed.
- When penetrating a combustible ceiling, a ceiling firestop must be installed.
- Horizontal runs of vent do not require vertical rise; horizontal runs may be level.
- Horizontal termination cap should have a 1/4 inch downward slant to allow any moisture in cap to be released. See Figure 4.8.



**Note: The ST-36TRB-IFT and PIER-36TRB-IFT fireplaces can adapt to SLP series vent pipe, if desired.**

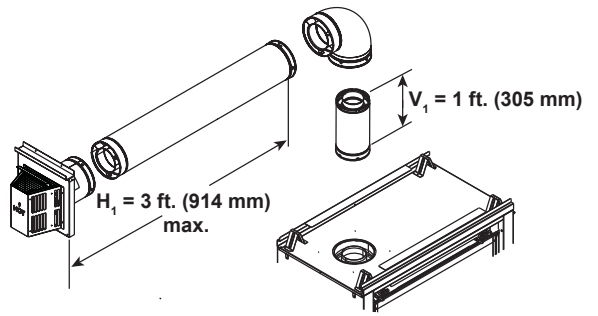
When venting off the top of the unit, use a DVP-2SL adapter and a minimum 48 inch vertical section of SLP series vent pipe. A DVP-SLP24 adapter may also be used with a 24 inch vertical section of SLP series vent pipe.

**After** the 48 inch vertical section, the venting table rules must be followed. The first 48 inch **vertical** section is **NOT** counted as part of the vertical components in the table. It is still counted as part of the overall maximum run. All venting table rules for the vent run must still be followed.

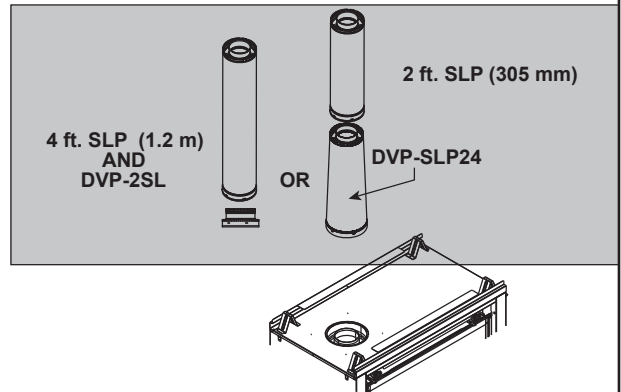
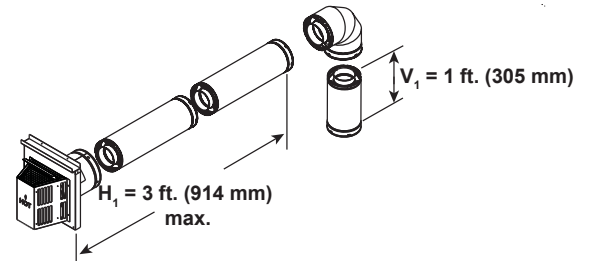
**Example:** DVP pipe 1 ft. min. vertical = 3 ft. max. horizontal  
SLP pipe 5 ft. min. vertical = 3 ft. max. horizontal

**HORIZONTAL EXAMPLE  
(IDENTICAL VENT RUNS USING DVP AND SLP PIPE)**

**DVP PIPE**



**SLP PIPE**



**VERTICAL EXAMPLE  
(IDENTICAL VENT RUNS USING DVP AND SLP PIPE)**

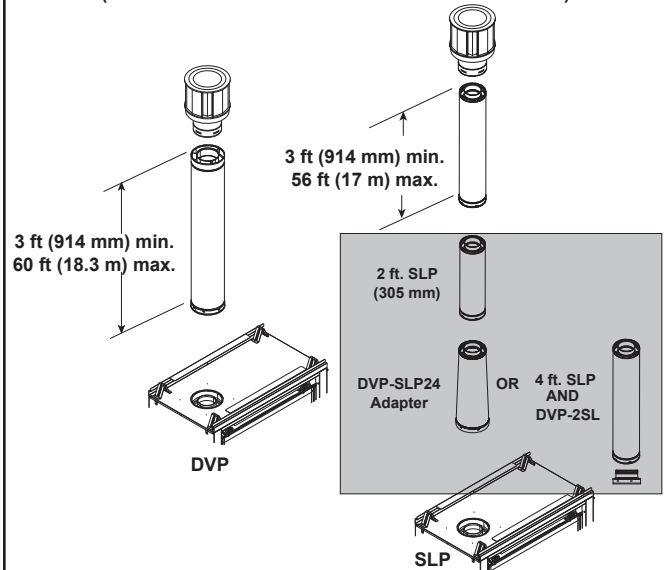
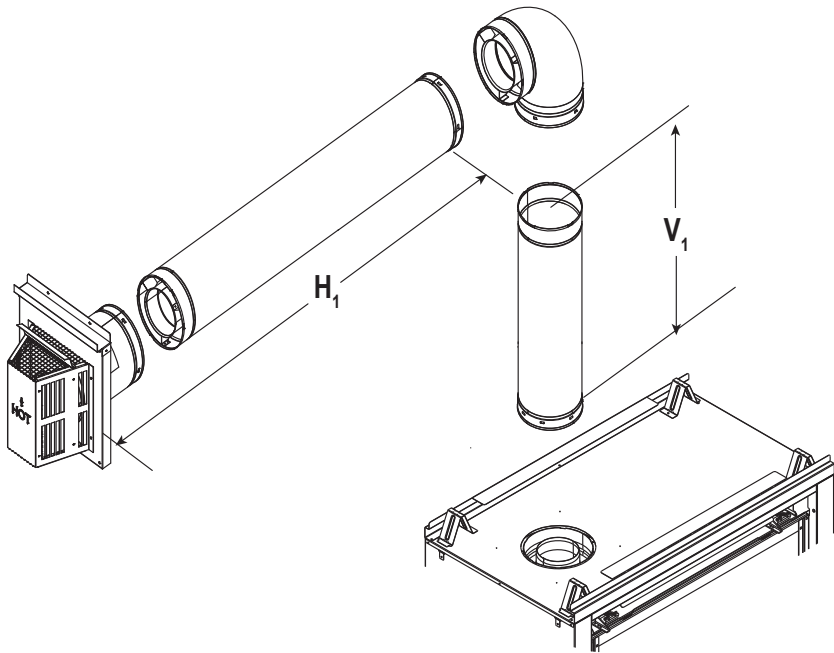


Figure 4.9 Adapt DVP Pipe to SLP Using DVP-SLP24 & DVP-2SL

# Top Vent - Horizontal Termination

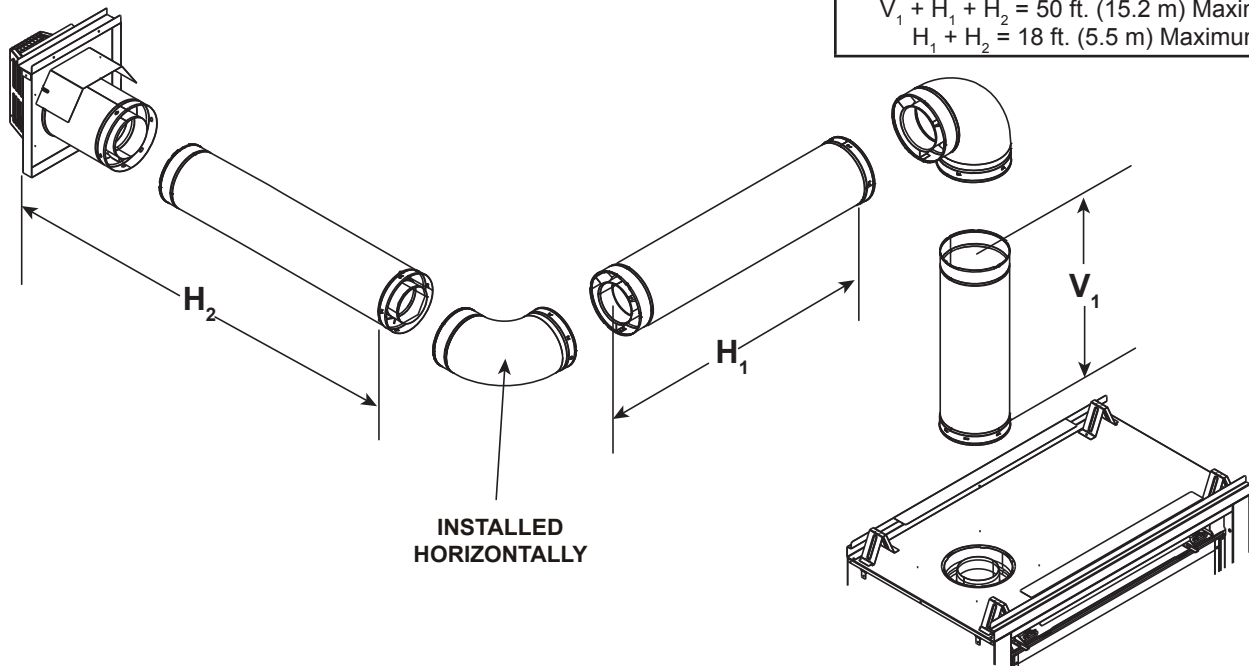
## One Elbow



| $V_1$ Minimum                         |        | $H_1$ Maximum |        |
|---------------------------------------|--------|---------------|--------|
| Elbow only                            |        | 1-1/2 ft.     | 457 mm |
| 6 in.                                 | 152 mm | 2-1/2 ft.     | 610 mm |
| 1 ft.                                 | 305 mm | 3 ft.         | 914 mm |
| 2 ft.                                 | 610 mm | 6 ft.         | 1.8 m  |
| 3 ft.                                 | 914 mm | 9 ft.         | 2.7 m  |
| 4 ft.                                 | 1.2 m  | 12 ft.        | 3.7 m  |
| 5 ft.                                 | 1.5 m  | 15 ft.        | 4.6 m  |
| 6 ft.                                 | 1.8 m  | 18 ft.        | 5.5 m  |
| $V_1 + H_1 = 50$ ft. (15.2 m) Maximum |        |               |        |
| $H_1 = 18$ ft. (5.5 m) Maximum        |        |               |        |

Figure 4.10

## Two Elbows



| $V_1$ Minimum                               |        | $H_1 + H_2$ Maximum |        |
|---|--------|---------------------|--------|
| Elbow only                                  |        | 6 in.               | 152 mm |
| 1 ft.                                       | 305 mm | 2 ft.               | 610 mm |
| 2 ft.                                       | 610 mm | 4 ft.               | 1.2 m  |
| 3 ft.                                       | 914 mm | 9 ft.               | 2.7 m  |
| 4 ft.                                       | 1.2 m  | 12 ft.              | 3.7 m  |
| 5 ft.                                       | 1.5 m  | 15 ft.              | 4.6 m  |
| 6 ft.                                       | 1.8 m  | 18 ft.              | 5.5 m  |
| $V_1 + H_1 + H_2 = 50$ ft. (15.2 m) Maximum |        |                     |        |
| $H_1 + H_2 = 18$ ft. (5.5 m) Maximum        |        |                     |        |

Figure 4.11

## Top Vent - Horizontal Termination - (continued)

### Three Elbows

| V <sub>1</sub> Minimum                                    |        | H <sub>1</sub> Maximum |        | V <sub>2</sub> Minimum |        | H <sub>2</sub> Maximum  |        | V <sub>1</sub> + V <sub>2</sub> Minimum |        | H <sub>1</sub> + H <sub>2</sub> Maximum |        |
|---|--------|------------------------|--------|------------------------|--------|---|--------|---|--------|---|--------|
| Elbow only  |        | 1 ft.                  | 305 mm | 6 in.                  | 152 mm | 1 ft.   | 305 mm | 6 in.                                   | 152 mm | 1 ft.                                   | 305 mm |
| 6 in.   | 152 mm | 3 ft.                  | 914 mm | 6 in.                  | 152 mm | 2 ft.   | 610 mm | 1 ft.                                   | 305 mm | 3 ft.                                   | 914 mm |
| 1 ft.   | 305 mm | 6 ft.                  | 1.8 m  | 1 ft.                  | 305 mm | 6 ft.   | 1.8 m  | 2 ft.                                   | 610 mm | 12 ft.                                  | 3.7 m  |
| 2 ft.   | 610 mm | 10 ft.*                | 3 m    | 2 ft.                  | 610 mm | 10 ft.*   | 3 m    | 4 ft.                                   | 1.2 m  | 18 ft.                                  | 5.5 m  |
| 3 ft.   | 914 mm | 12 ft.*                | 3.7 m  | 3 ft.                  | 914 mm | 12 ft.*   | 3.7 m  | 6 ft.                                   | 1.8 m  | 18 ft.                                  | 5.5 m  |
| *H <sub>1</sub> + H <sub>2</sub> = 18 ft. (5.5 m) Maximum |        |                        |        |                        |        | V <sub>1</sub> + V <sub>2</sub> + H <sub>1</sub> + H <sub>2</sub> = 50 ft. (15.2 m) Maximum |        |   |        |   |        |

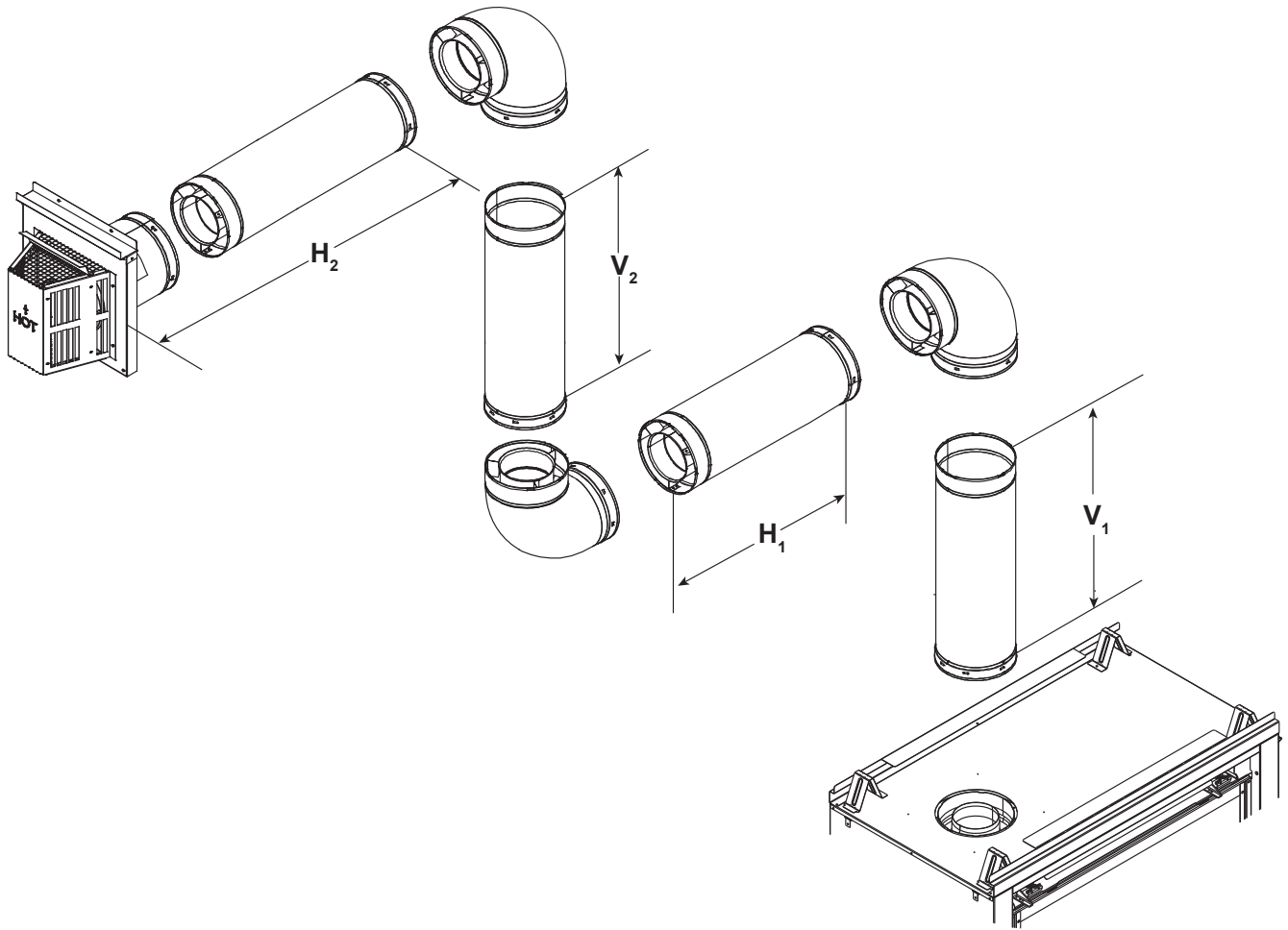


Figure 4.12

## Top Vent - Horizontal Termination - (continued)

### Three Elbows

| V <sub>1</sub> Minimum   |        | H <sub>1</sub> + H <sub>2</sub> + H <sub>3</sub> Maximum |        |
|--|--------|--|--------|
| Elbow  |        | not allowed  |        |
| 6 in.  | 152 mm | not allowed  |        |
| 1 ft.  | 305 mm | 1 ft.  | 305 mm |
| 2 ft.  | 610 mm | 2 ft.  | 610 mm |
| 3 ft.  | 914 mm | 3 ft.  | 914 mm |
| 4 ft.  | 1.2 m  | 4 ft.  | 1.2 m  |
| 5 ft.  | 1.5 m  | 5 ft.  | 1.5 m  |
| 6 ft.  | 1.8 m  | 6 ft.  | 1.8 m  |
| V <sub>1</sub> + H <sub>1</sub> + H <sub>2</sub> + H <sub>3</sub> = 50 ft. (15.2 m) Maximum<br>H <sub>1</sub> + H <sub>2</sub> + H <sub>3</sub> = 18 ft. (5.5 m) Maximum |        |  |        |

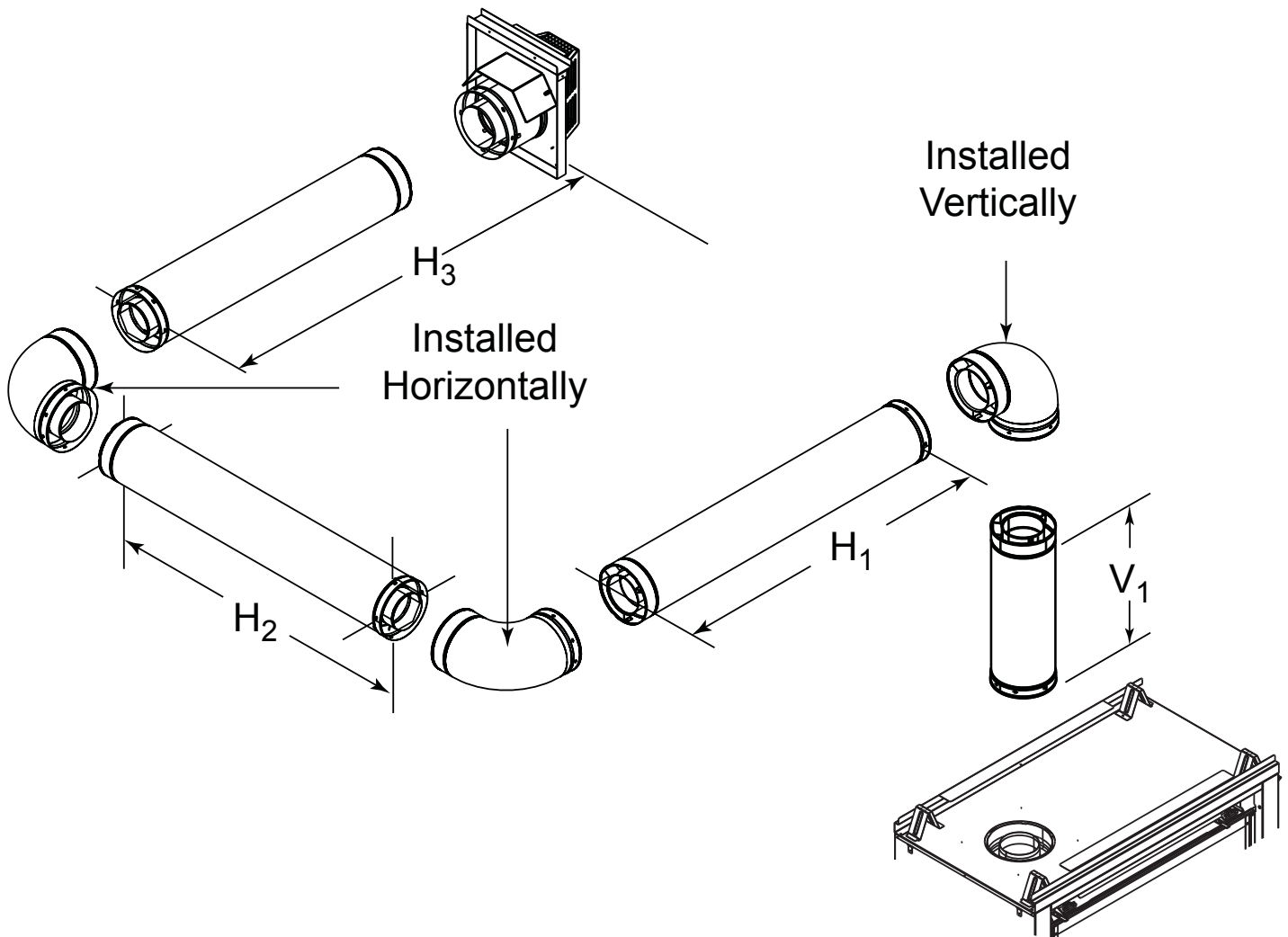
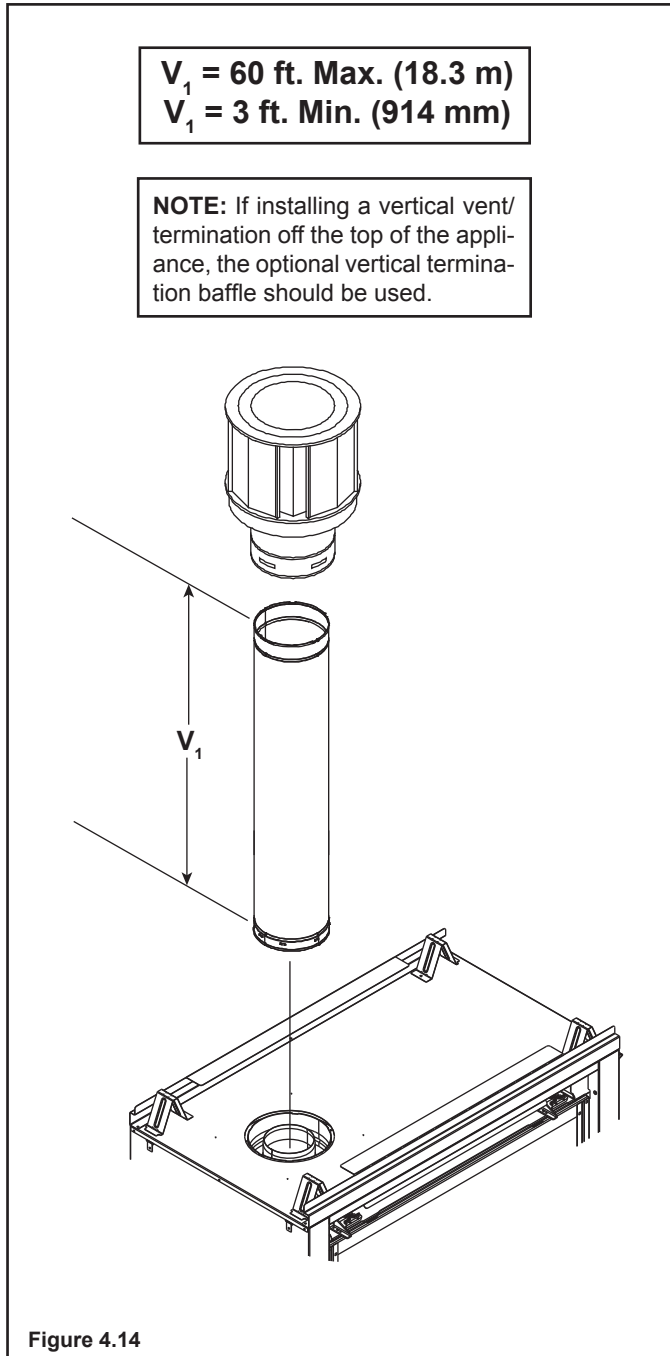


Figure 4.13



## Top Vent - Vertical Termination

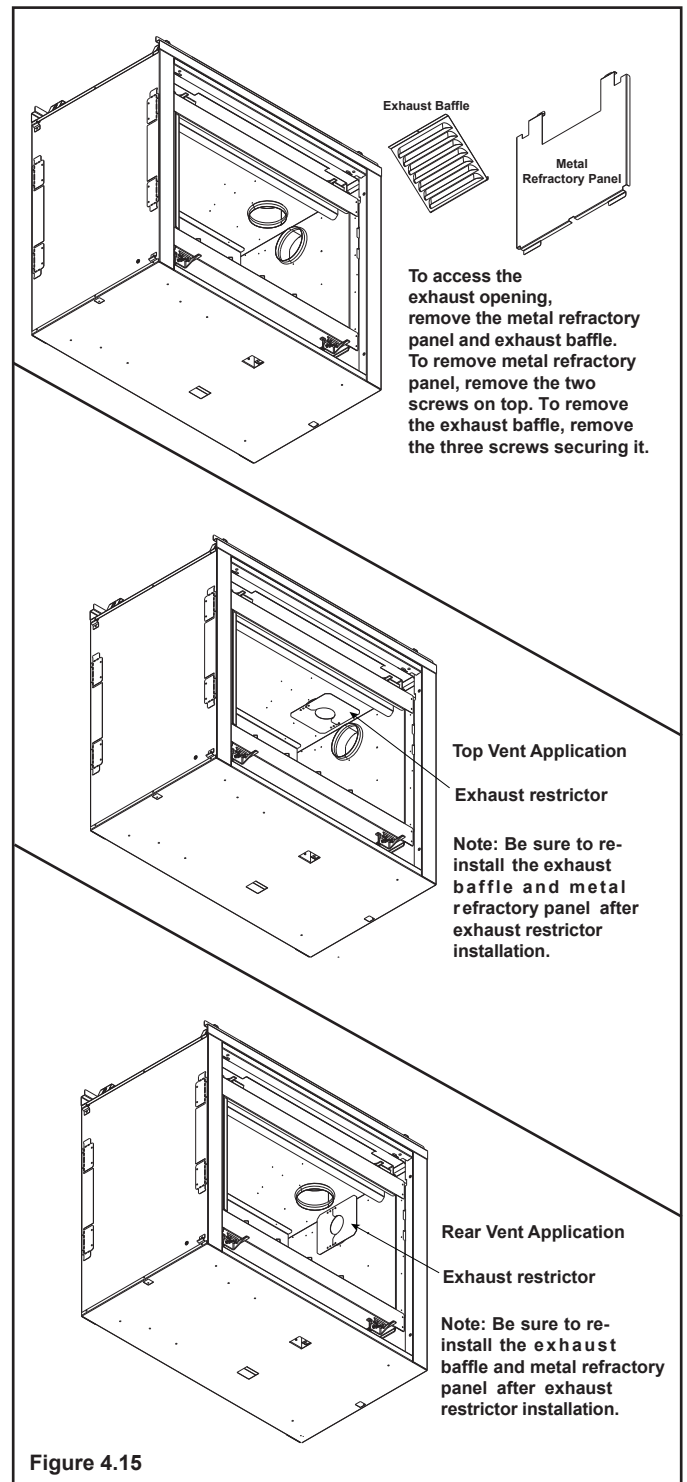
### No Elbow



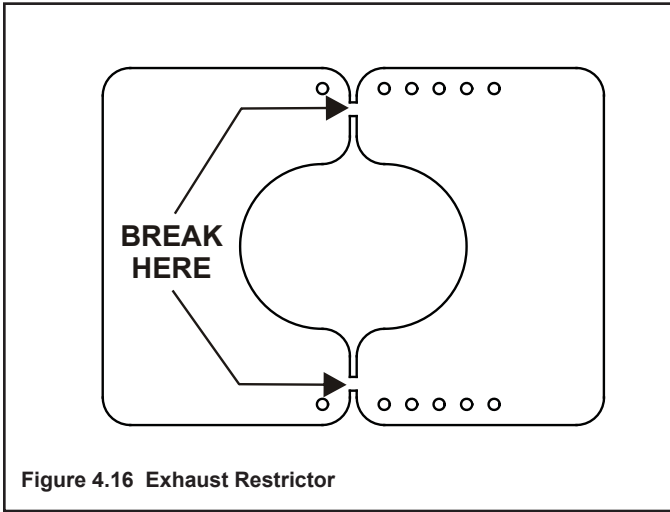
Exhaust restrictors are recommended for these vertically terminated products which have excessive draft. Exhaust restrictors will compensate for high draft, and restore visual flame height. If the vent configuration has a total vertical of 10-60 feet, an exhaust restrictor may be needed. The exhaust restrictor can be located in the appliance manual bag.

## Exhaust restrictor Instructions

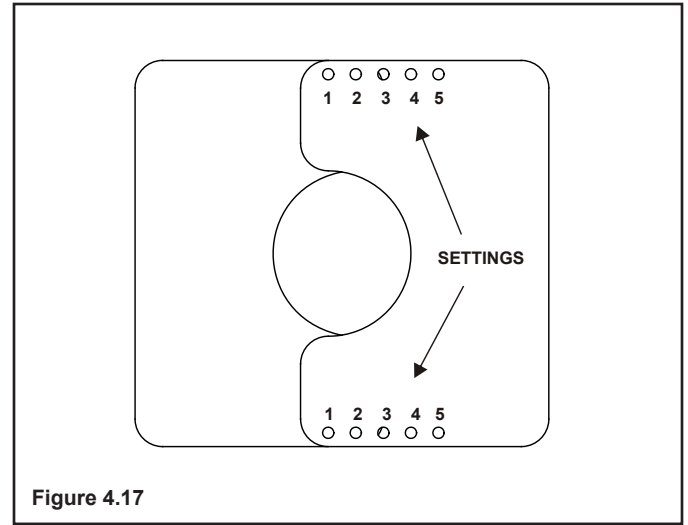
1. Remove metal refractory panel and exhaust baffle from pilot side of appliance. To remove the refractory panel use a 1/4 inch nut driver and remove the two screws that secure it in place. To remove the exhaust baffle, remove the three screws securing it panel in place. See Figure 4.15.



2. Break the exhaust restrictor into two pieces. Do this by bending the part back and forth until it breaks (see Figure 4.16).



4. Center the exhaust restrictor in the open end of the exhaust outlet and secure through the slots on the exhaust restrictor with the 2-1/4 in. self-tapping screws provided in the appliance manual bag.
5. Reinstall the exhaust baffle and the refractory panel.



3. Use Table 4.1 to match the amount of vertical you have in the system to find the appropriate position to set the exhaust restrictor. See Figure 4.17.

| Vertical | TOP VENT |     | REAR VENT |     |
|----------|----------|-----|-----------|-----|
|          | NG       | LP  | NG        | LP  |
| 10 ft.   | 1-1      | 1-1 | 1-1       | 1-1 |
| 20 ft.   | 2-2      | 2-2 | 2-2       | 2-2 |
| 30 ft.   | 2-2      | 2-2 | 2-2       | 2-2 |
| 40 ft.   | 3-3      | 3-3 | 3-3       | 3-3 |
| 50 ft.   | 3-3      | 3-3 | 3-3       | 3-3 |
| 60 ft.   | 3-3      | 3-3 | 3-3       | 3-3 |

Table 4.1

**Note:** If the DVP-2SL and DVP-SLP24 adapter and SLP pipe is used, you MUST subtract one number from the table above.

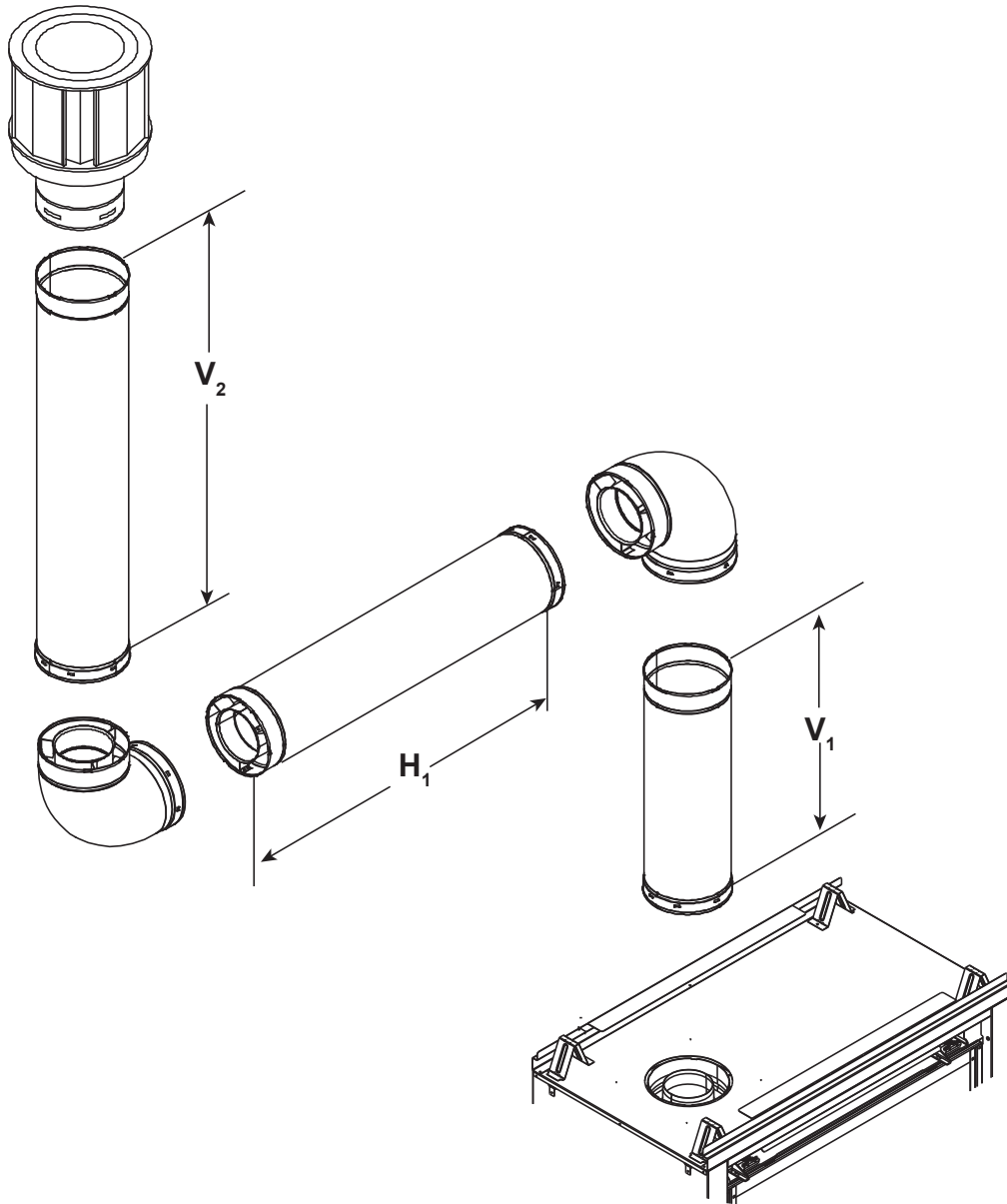
**Example:** Top vent 60 ft vertical with DVP pipe = 3-3  
 Top vent 60 ft vertical with SLP pipe = 2-2

**Top Vent - Vertical Termination - (continued)**

**Two Elbows**

| $V_1$      |        | $H_1$ Maximum |        | $V_2$ | $V_1 + V_2$ Minimum |   |
|------------|--------|---------------|--------|-------|---------------------|---|
| Elbow Only |        | 2-1/2 ft.     | 762 mm | *     | *                   | * |
| 2 ft.      | 607 mm | 6 ft.         | 1.8 m  | *     | *                   | * |
| 4 ft.      | 1.2 m  | 12 ft.        | 3.7 m  | *     | *                   | * |
| 6 ft.      | 1.8 m  | 18 ft.        | 5.5 m  | *     | *                   | * |

$V_1 + V_2 + H_1 = 50 \text{ ft (15.2 m) Maximum}$   
 \*No specific restrictions on this value EXCEPT  
 $V_1 + V_2 + H_1$  cannot exceed 50 ft (15.2 m)



**Figure 4.18**

# Top Vent - Vertical Termination - (continued)

## Three Elbows

| $V_1$      |        | $H_1 + H_2$ |        | $V_2$ | $V_1 + V_2$ Minimum |   | $H_1 + H_2$ Maximum |        |
|------------|--------|-------------|--------|-------|---------------------|---|---------------------|--------|
| ELBOW ONLY |        | 1 ft.       | 305 mm | *     | *                   | * | 1 ft.               | 305 mm |
| 1 ft.      | 305 mm | 2 ft.       | 610 mm | *     | *                   | * | 2 ft.               | 610 mm |
| 2 ft.      | 610 mm | 4 ft.       | 1.2 m  | *     | *                   | * | 4 ft.               | 1.2 m  |
| 3 ft.      | 914 mm | 9 ft.       | 2.7 m  | *     | *                   | * | 9 ft.               | 2.7 m  |
| 4 ft.      | 1.2 m  | 12 ft.      | 3.7 m  | *     | *                   | * | 12 ft.              | 3.7 m  |
| 6 ft.      | 1.8 m  | 18 ft.      | 5.5 m  | *     | *                   | * | 18 ft.              | 5.5 m  |

$H_1 + H_2 = 18 \text{ ft (5.5 m) Maximum}$   
 \*No specific restrictions on this value EXCEPT  
 $V_1 + V_2 + H_1 + H_2$  cannot exceed 50 ft (15.2 m)

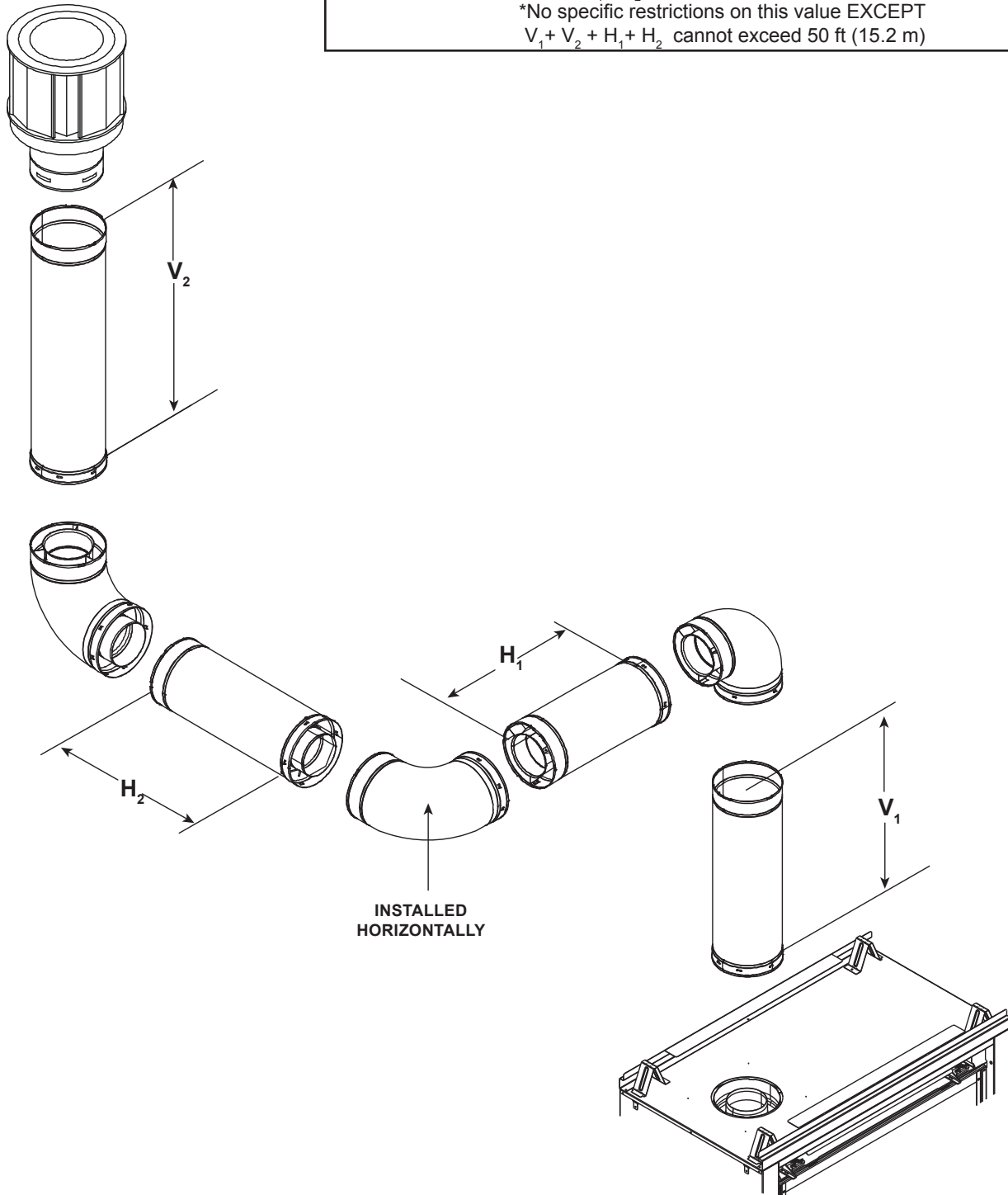


Figure 4.19

## Rear Vent - Horizontal Termination

No Elbow

$H_1 = 16 \text{ in. (406 mm) Maximum}$

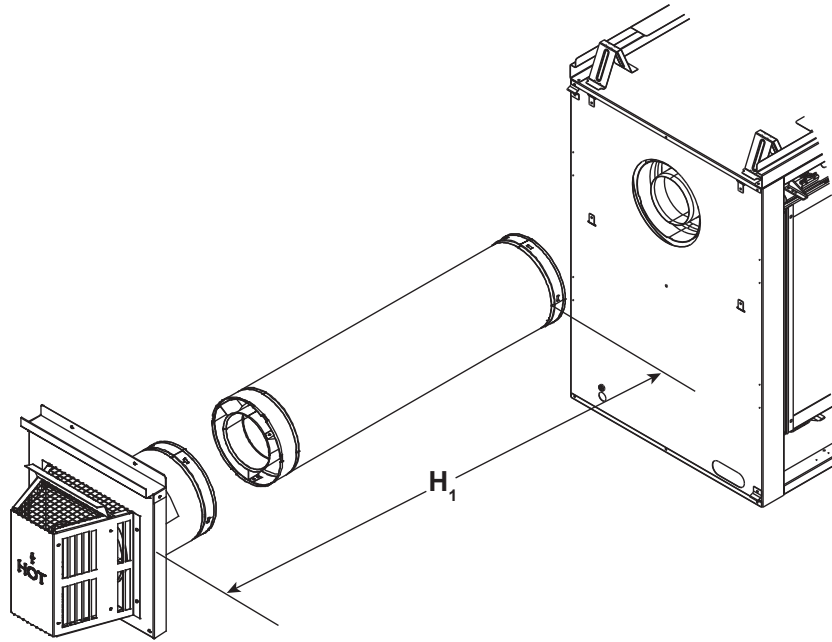


Figure 4.20

One 45° Elbow

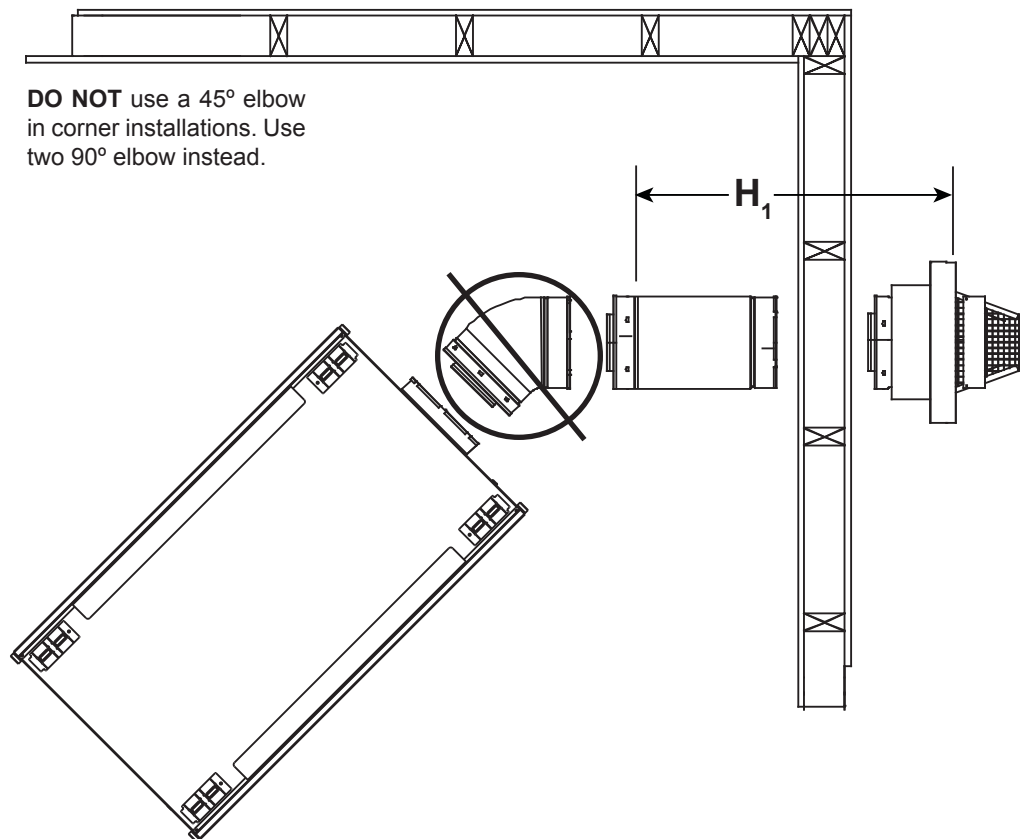


Figure 4.21

## Rear Vent - Horizontal Termination - (continued)

### Two Elbows

| H <sub>1</sub> Maximum  |        | V <sub>1</sub> Minimum |        | H <sub>2</sub> Maximum |        | H <sub>1</sub> + H <sub>2</sub> Maximum |        |
|---|--------|------------------------|--------|------------------------|--------|---|--------|
| 1 ft.   | 305 mm | 6 in.                  | 152 mm | 1 ft.                  | 305 mm | 1 ft.                                   | 305 mm |
| 2 ft.   | 610 mm | 1 ft.                  | 305 mm | 2 ft.                  | 610 mm | 3 ft.                                   | 914 mm |
| 3 ft.   | 914 mm | 2 ft.                  | 610 mm | 4 ft.                  | 1.2 m  | 6 ft.                                   | 1.8 m  |
| 3 ft.   | 914 mm | 3 ft.                  | 914 mm | 7 ft.                  | 2.1 m  | 9 ft.                                   | 2.7 m  |
| 3 ft.   | 914 mm | 4 ft.                  | 1.2 m  | 10 ft.                 | 3 m    | 12 ft.                                  | 3.7 m  |
| 3 ft.   | 914 mm | 5 ft.                  | 1.5 m  | 12 ft.                 | 3.7 m  | 15 ft.                                  | 4.6 m  |
| 3 ft.   | 914 mm | 6 ft.                  | 1.8 m  | 15 ft.                 | 4.6 m  | 18 ft.                                  | 5.5 m  |
| V <sub>1</sub> + H <sub>1</sub> + H <sub>2</sub> = 50 ft (15.2 m) Maximum    H <sub>1</sub> = 3 ft (914 mm) Maximum<br>*H <sub>1</sub> + H <sub>2</sub> = 18 ft (5.5 m) Maximum |        |                        |        |                        |        |   |        |

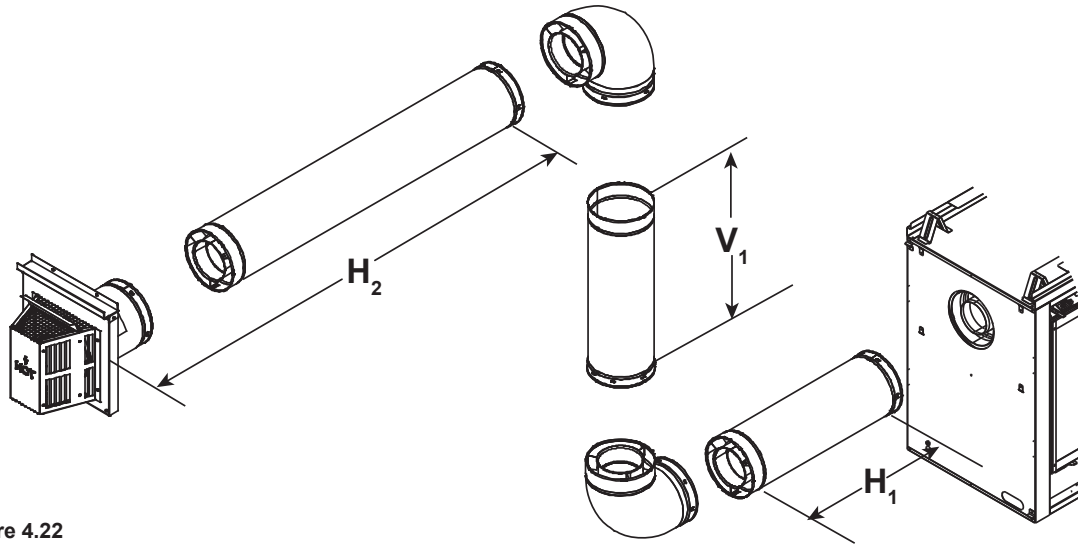


Figure 4.22

### Three Elbows

| H <sub>1</sub> Maximum  |        | V <sub>1</sub> Minimum |        | H <sub>1</sub> + H <sub>2</sub> + H <sub>3</sub> Maximum |        |
|---|--------|------------------------|--------|--|--------|
| 6 in.   | 152 mm | 6 in.                  | 152 mm | 1 ft.  | 305 mm |
| 1 ft.   | 305 mm | 1 ft.                  | 305 mm | 2 ft.  | 610 mm |
| 3 ft.   | 914 mm | 2 ft.                  | 610 mm | 4 ft.  | 1.2 m  |
| 3 ft.   | 914 mm | 3 ft.                  | 914 mm | 6 ft.  | 1.8 m  |
| 3 ft.   | 914 mm | 4 ft.                  | 1.2 m  | 8 ft.  | 2.4 m  |
| V <sub>1</sub> + H <sub>1</sub> + H <sub>2</sub> + H <sub>3</sub> = 40 ft (12.2 m) Maximum<br>H <sub>1</sub> = 3 ft (94 mm) Maximum<br>H <sub>1</sub> + H <sub>2</sub> + H <sub>3</sub> = 12 ft (3.7 m) Maximum |        |                        |        |  |        |

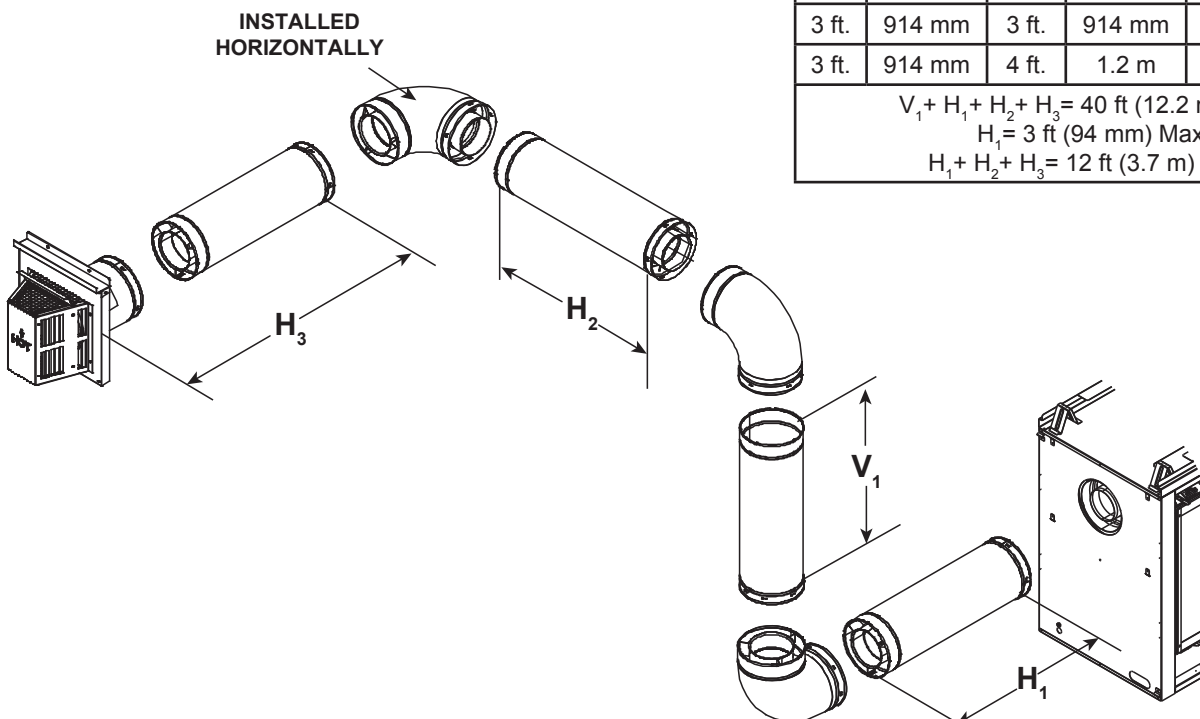
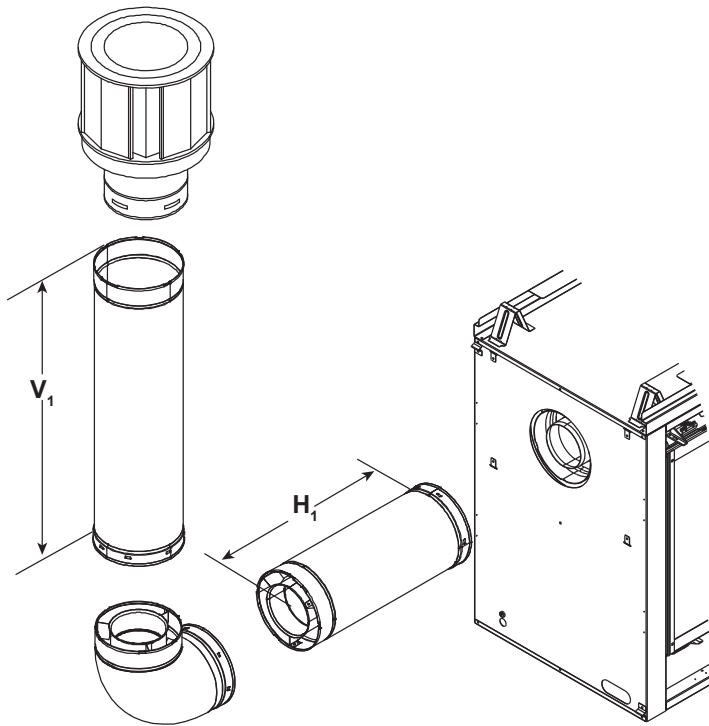


Figure 4.23



## Rear Vent - Vertical Termination

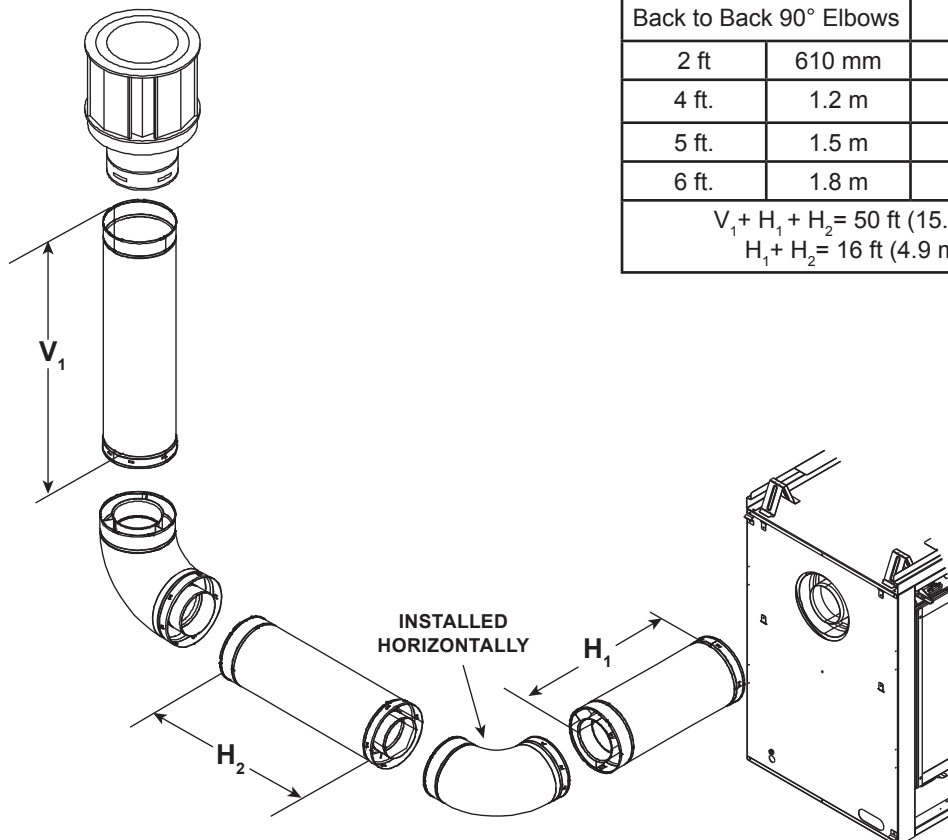
### One Elbow



| V <sub>1</sub> Minimum                                   |        | H <sub>1</sub> Maximum |        |
|--|--------|------------------------|--------|
| 1 ft.  | 305 mm | 3 ft.                  | 914 mm |
| 2 ft.  | 610 mm | 5 ft.                  | 1.5 m  |
| 3 ft.  | 914 mm | 7 ft.                  | 2.1 m  |
| 4 ft.  | 1.2 m  | 8 ft.                  | 2.4 m  |
| 5 ft.  | 1.5 m  | 8 ft.                  | 2.4 m  |
| V <sub>1</sub> + H <sub>1</sub> = 40 ft (12.2 m) Maximum |        |                        |        |

Figure 4.24

### Two Elbows

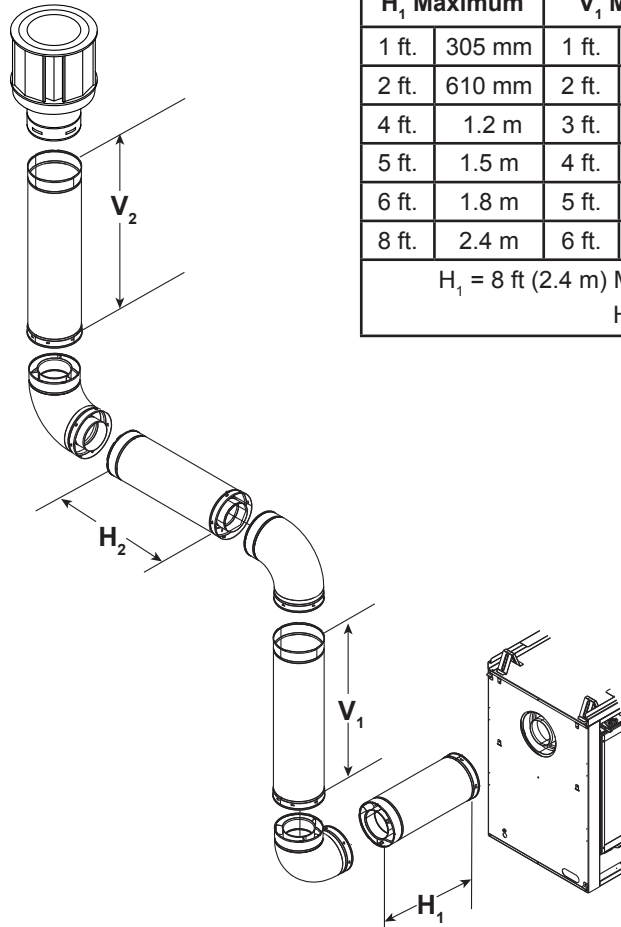


| V <sub>1</sub> Minimum  |        | H <sub>1</sub> + H <sub>2</sub> Maximum |        |
|---|--------|---|--------|
| Back to Back 90° Elbows   |        | 3 ft.                                   | 914 mm |
| 2 ft.   | 610 mm | 6 ft.                                   | 1.8 m  |
| 4 ft.   | 1.2 m  | 9 ft.                                   | 2.7 m  |
| 5 ft.   | 1.5 m  | 10 ft.                                  | 3 m    |
| 6 ft.   | 1.8 m  | 12 ft.                                  | 3.7 m  |
| V <sub>1</sub> + H <sub>1</sub> + H <sub>2</sub> = 50 ft (15.2 m) Maximum |        |   |        |
| H <sub>1</sub> + H <sub>2</sub> = 16 ft (4.9 m) Maximum                   |        |   |        |

Figure 4.25

## Rear Vent - Vertical Termination - (continued)

### Three Elbows

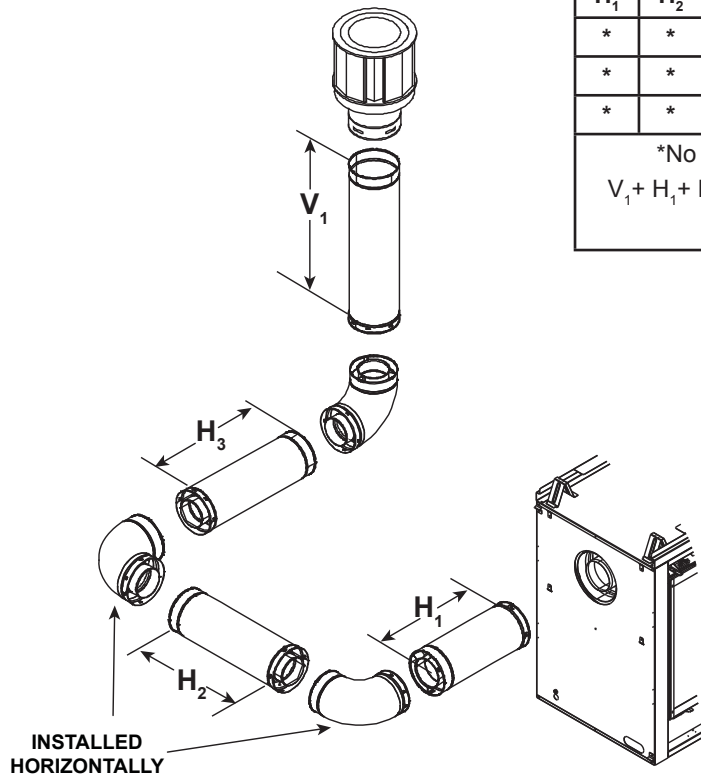


| H <sub>1</sub> Maximum |        | V <sub>1</sub> Minimum |        | H <sub>2</sub> |        | H <sub>1</sub> + H <sub>2</sub> Maximum |        |
|------------------------|--------|------------------------|--------|----------------|--------|---|--------|
| 1 ft.                  | 305 mm | 1 ft.                  | 305 mm | 1 ft.          | 305 mm | 2 ft.                                   | 610 mm |
| 2 ft.                  | 610 mm | 2 ft.                  | 610 mm | 3 ft.          | 914 mm | 5 ft.                                   | 1.5 m  |
| 4 ft.                  | 1.2 m  | 3 ft.                  | 914 mm | 4 ft.          | 1.2 m  | 8 ft.                                   | 4.6 m  |
| 5 ft.                  | 1.5 m  | 4 ft.                  | 1.2 m  | 6 ft.          | 1.8 m  | 11 ft.                                  | 3.4 m  |
| 6 ft.                  | 1.8 m  | 5 ft.                  | 1.5 m  | 8 ft.          | 2.4 m  | 14 ft.                                  | 4.3 m  |
| 8 ft.                  | 2.4 m  | 6 ft.                  | 1.8 m  | 9 ft.          | 2.7 m  | 17 ft.                                  | 5.2 m  |

$H_1 = 8 \text{ ft (2.4 m) Max.}$      $V_1 + V_2 + H_1 + H_2 = 50 \text{ ft (15.2 m) Max.}$   
 $H_1 + H_2 = 17 \text{ ft (5.2 m) Max.}$

Figure 4.26

### Three Elbows



| H <sub>1</sub> | H <sub>2</sub> | H <sub>3</sub> | V <sub>1</sub> Minimum |       | H <sub>1</sub> + H <sub>2</sub> + H <sub>3</sub> Maximum |       |
|----------------|----------------|----------------|------------------------|-------|--|-------|
| *              | *              | *              | 8 ft.                  | 2.4 m | 4 ft.  | 1.2 m |
| *              | *              | *              | 9 ft.                  | 2.7 m | 5 ft.  | 1.5 m |
| *              | *              | *              | 10 ft.                 | 3.1 m | 6 ft.  | 1.8 m |

\*No specific restrictions on this value EXCEPT  
 $V_1 + H_1 + H_2 + H_3$  cannot exceed 50 ft. (15.2 m) Maximum  
 $H_1 + H_2 + H_3 = 6 \text{ ft. (1.8 m) Maximum}$

Figure 4.27

# 5 Vent Clearances and Framing

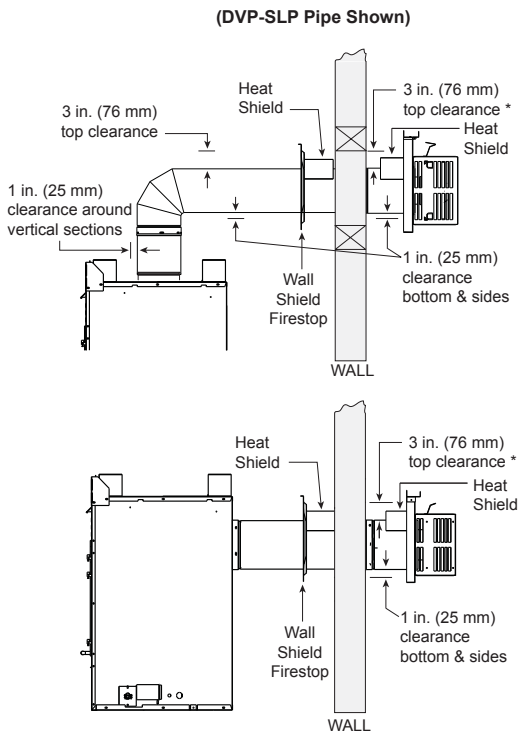
## A. Pipe Clearances to Combustibles

**WARNING! Risk of Fire! Maintain air space clearance to vent. DO NOT pack insulation or other combustibles:**

- Between ceiling firestops
- Between wall shield firestops
- Around vent system

Failure to keep insulation or other material away from vent pipe could cause overheating and fire.

Note: Heat shields MUST overlap by a minimum of 1-1/2 in. (38 mm).  
 • **DVP heat shield** - designed to be used on a wall 4 in. to 7-1/4 in. (102 mm to 184 mm) thick.  
 • If wall thickness is less than 4 in. the existing heat shields must be field trimmed. If wall thickness is greater than 7-1/4 in. a DVP-HSM-B will be required.  
 • **SLP heat shield** - designed to be used on a wall 4-3/8 in. to 7-5/8 in. (111 mm to 194 mm) thick.  
 • If wall thickness is less than 4-3/8 the existing heat shields must be field trimmed. If wall thickness is greater than 7-5/8 in. a DVP-HSM-B will be required.



\* When using SLP pipe, minimum clearances from the vent pipe to combustible materials at inside wall firestops are:  
 Top: 2-1/2 in. (64 mm)  
 Bottom: 1/2 in. (13 mm)  
 Sides: 1 in. (25 mm)

**Figure 5.1 Horizontal Venting Clearances To Combustible Materials**

## B. Wall Penetration Framing

### Combustible Wall Penetration

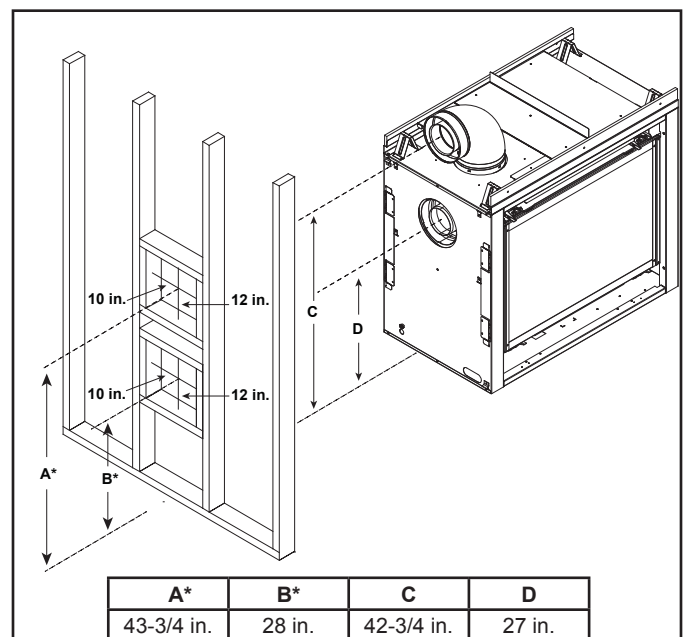
Whenever a combustible wall is penetrated, you must frame a hole for the wall shield firestop(s). The wall shield firestop maintains minimum clearances and prevents cold air infiltration.

- The opening must be framed on all four sides using the same size framing materials as those used in the wall construction.
- SLP pipe - A wall shield firestop must be placed on each side of an interior wall. A minimum 1-1/2 in. (38 mm) overlap of attached heat shields must be maintained.
- DVP pipe - A wall shield firestop is required on one side only on interior walls. If your local inspector requires a wall shield firestop on both sides, then both wall shield firestops must have a heat shield (refer to Section 12.A.) attached to them.
- See Section 7.G. for information for regarding the installation of a horizontal termination cap.

### Non-Combustible Wall Penetration

If the hole being penetrated is surrounded by noncombustible materials such as concrete, a hole with diameter one inch greater than the pipe is acceptable.

Whenever a non-combustible wall is penetrated, the wall shield firestop is only required on one side and no heat shield is necessary.



\* Shows center of vent framing hole for top or rear venting. The center of the hole is one (1) inch (25.4 mm) above the center of the horizontal vent pipe.

**Figure 5.2 Wall Penetration**

### C. Ceiling Firestop/Floor Penetration Framing

A ceiling firestop **MUST** be used between floors and attics.

- **DVP pipe only** - Frame an opening 10 in. by 10 in. (254 mm by 254 mm) whenever the vent penetrates a ceiling/floor. See Figure 5.3.
- **SLP pipe only** - Frame opening 9 in. x 9 in. (229 mm x 229 mm) whenever the vent penetrates a ceiling/floor. See Figure 5.3.
- Frame the area with the same sized lumber as used in ceiling/floor joist.
- The ceiling firestop may be installed above or below the ceiling joists when installed with an attic insulation shield. It must be under joists between floors that are not insulated. Refer to Figure 5.4.
- Secure in place with nails or screws.

**WARNING! Risk of Fire! DO NOT pack insulation around the vent. Insulation must be kept back from the pipe to prevent overheating.**

### D. Install Attic Insulation Shield

**WARNING! Fire Risk. DO NOT allow loose materials or insulation to touch vent. Hearth & Home Technologies requires the use of an attic shield.**

The International Fuel Gas Code requires an attic shield constructed of 26 gauge minimum steel that extends at least 2 in. (51 mm) above insulation.

- Attic insulation shields must meet specified clearances to combustible materials and be secured in place.
- An attic insulation shield kit is available from Hearth & Home Technologies. Contact your dealer to order. Install attic insulation shield according to instructions included with kit.

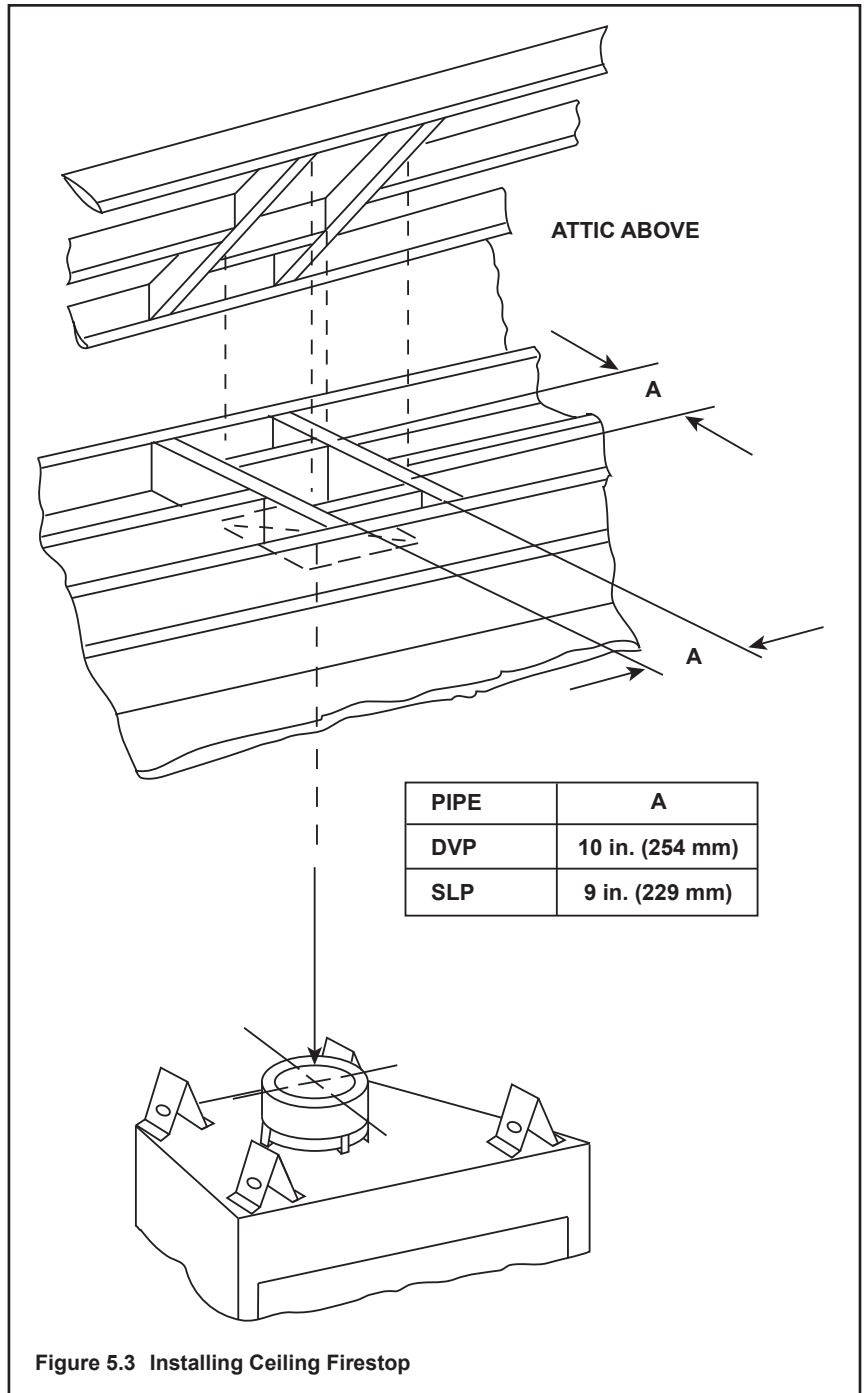


Figure 5.3 Installing Ceiling Firestop

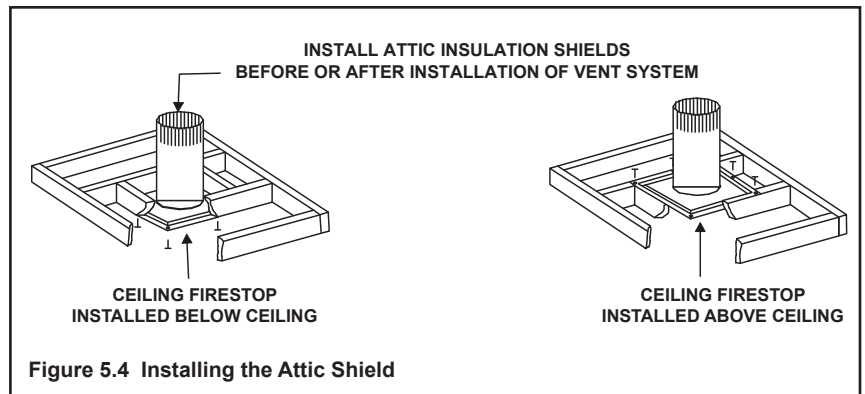


Figure 5.4 Installing the Attic Shield

# 6 Appliance Preparation

## A. Vent Collar Preparation

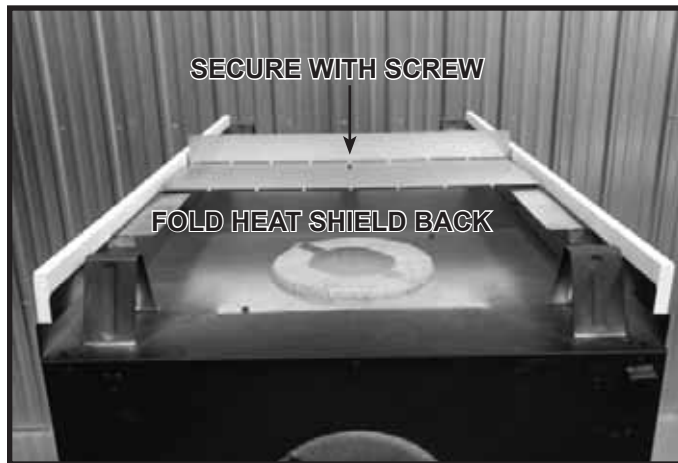
**CAUTION! Risk of Cuts, Abrasions or Flying Debris.** Wear protective gloves and safety glasses during installation. Sheet metal edges are sharp.

**NOTICE:** Once appliance is set up for top or rear venting, it **CANNOT** be changed at a later time.

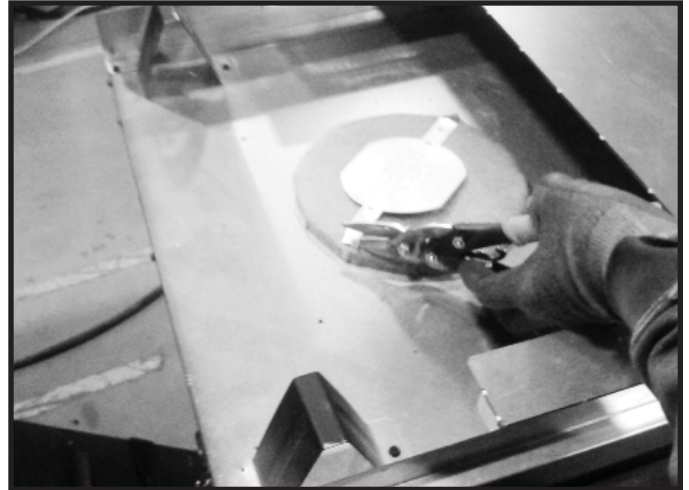
### Top Vent



**Figure 6.1 ST-36TRB-IFT Only:** Remove screws from top heat shield.



**Figure 6.2 ST-36TRB-IFT Only:** Fold heat shield back and secure with screw.



**Figure 6.3** Cut the metal retaining band and fold the sides out.



**Figure 6.4** Fold the center parts of the retaining band up and use to remove the vent cap.



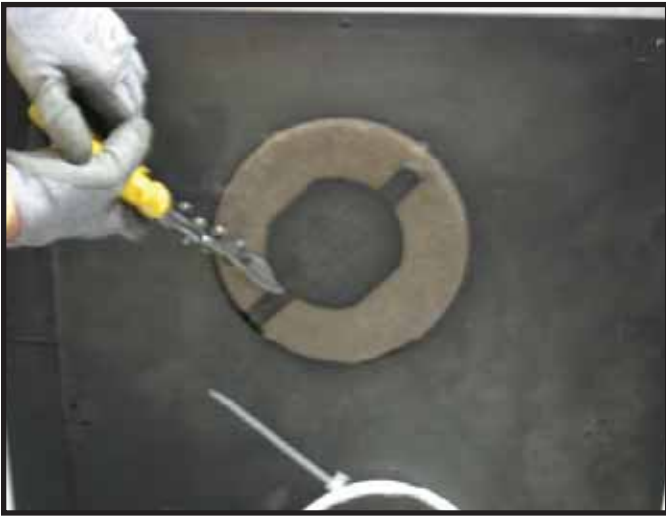
**Figure 6.5** Remove and discard the seal cap, insulation donut, insulation plug, and the insulation basket. Attach the first vent section (it will snap into place). Slide the vent gasket onto the vent section and then, up against the appliance. Secure the vent gasket to the appliance with two self-tapping screws found in the manual bag. Note: The vent gasket can found in the manual bag.

**Proceed to Section 6.B.**



## Rear Vent

**NOTICE:** Once appliance is set up for top or rear venting, it CANNOT be changed at a later time.



**Figure 6.6** Cut the metal retaining band.

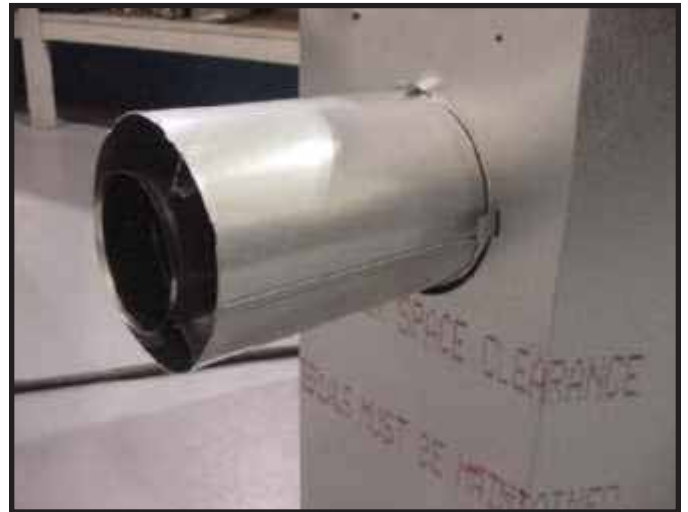


**Figure 6.7** Remove the seal cap.

**NOTICE:** Once the vent cap has been removed it CANNOT be reattached.



**Figure 6.8** Discard the seal cap, insulation plug and the insulation basket.



**Figure 6.9** Attach the first vent section (it will snap into place). Slide the vent gasket onto the vent section and then, up against the appliance. Secure the vent gasket to the appliance with two self-tapping screws found in the manual bag. Note: The vent gasket can found in the manual bag.

## B. Securing and Leveling the Appliance

**WARNING! Risk of Fire! Prevent contact with:**

- Sagging or loose insulation
- Insulation backing or plastic
- Framing and other combustible materials

Block openings into the chase to prevent entry of blown-in insulation. Make sure insulation and other materials are secured.

**DO NOT** notch the framing around the appliance standoffs.

Failure to maintain air space clearance may cause overheating and fire.

**NOTICE:** Failure to ensure that the fireplace opening is square could result in the decorative front not fitting properly.

Figure 6.10, Figure 6.11 and Figure 6.12 show how to properly position, level, and secure the appliance. Nailing tabs are provided to secure the appliance to the framing members.

- Bend out nailing tabs on each side.
- Place the appliance into position.
- Keep nailing tabs flush with the framing.
- Level the appliance from side to side and front to back.
- Shim the appliance as necessary. It is acceptable to use wood shims underneath the appliance.
- Secure the appliance to the framing by using nails or screws through the nailing tabs.
- Optional: Secure the appliance to the floor by inserting two screws through the pilot holes at the bottom of the appliance.

**NOTICE:** Failure to ensure that the fireplace opening is square could result in the decorative front not fitting properly.

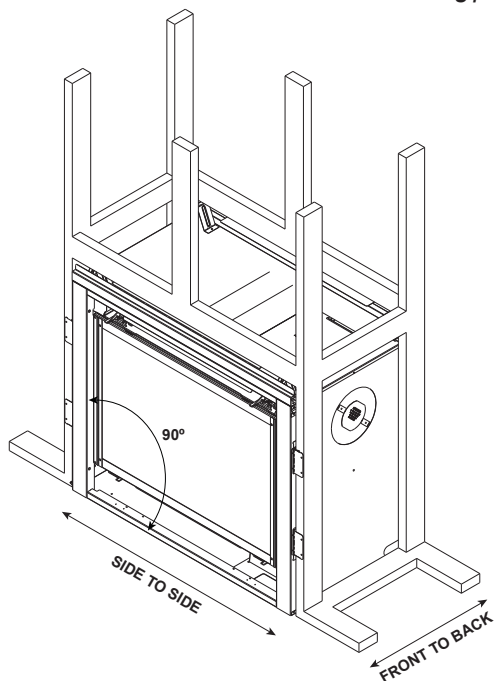


Figure 6.10 Proper Positioning and Leveling of an Appliance

**NOTICE:** Failure to ensure that the fireplace opening is square may result in the decorative front not fitting properly.

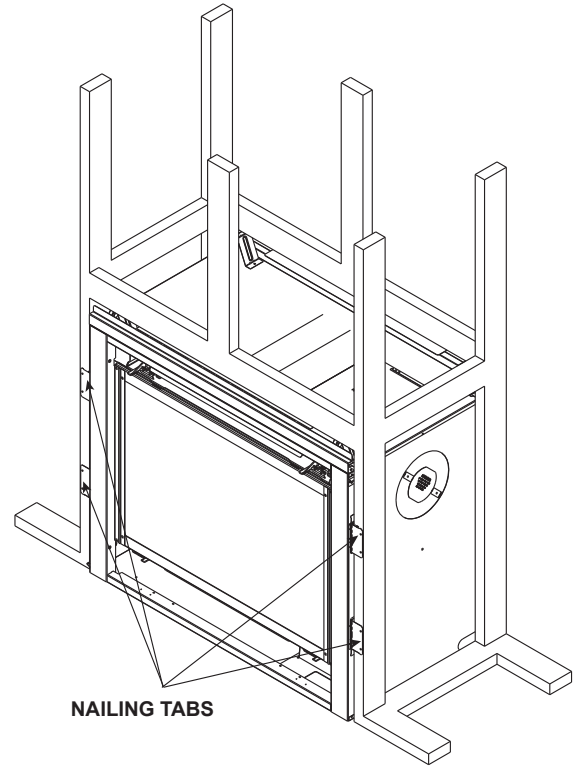
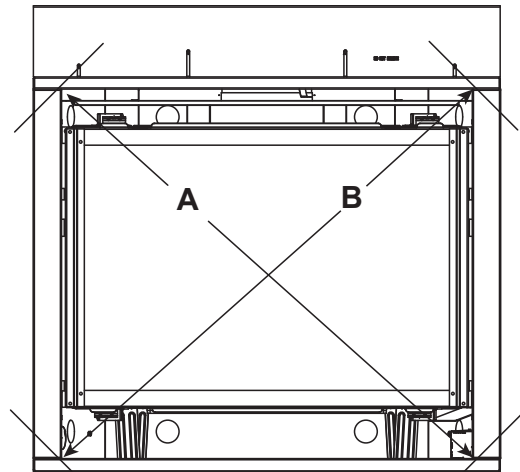


Figure 6.11 Securing An Appliance



Note: Diagonal dimensions (A) and (B) must be within 1/4 inch of each other.

Figure 6.12 Positioning the Appliance Squarely

### C. Non-Combustible Material Installation

The factory-installed non-combustible board spans the distance from the top of the fireplace to the framing header. This board must be used. See Figure 6.13.

**WARNING! Risk of Fire! DO NOT remove factory-installed non-combustible material.**



Figure 6.13 Non-combustible Board



# 7 Venting and Chimneys

## A. Assemble Vent Sections (DVP Pipe Only)

### Attach Vent to the Firebox Assembly

**Note:** The end of the pipe sections with the lanced tabs will face toward the appliance.

Attach the first pipe section to the starting collar:

- Lanced pipe end of the starting collar.
- Inner pipe over inner collar.
- Push the pipe section until all lanced tabs snap in place.
- Lightly tug on pipe to confirm it has locked.

### Required Commercial, Multi-family (Multi-level exceeding two stories), or High-Rise Applications

All outer pipe joints must be sealed with 100% silicone (300° F minimum continuous exposure rating), including the slip section that connects directly to the horizontal termination cap.

- Apply a bead of silicone sealant (300° F minimum continuous exposure rating) inside the female outer pipe joint prior to joining sections. See Figure 7.1. **OR**

Apply a bead of silicone sealant (300° F minimum continuous exposure rating) to the outside of connecting joint after joining sections **OR**

Apply aluminum foil tape (300° F minimum continuous exposure rating) to the outside of connecting joint after joining sections. On horizontal pipe runs, it is recommended that the tape seam is positioned on the bottom side of the vent pipe.

- Only outer pipes need to be sealed. All unit collar, pipe, slip section, elbow and cap outer flues shall be sealed in this manner, unless otherwise stated.

**WARNING! Risk of Fire or Explosion! DO NOT break silicone seals on slip sections. Use care when removing termination cap from slip pipe. If slip section seals are broken during removal of the termination cap, vent could leak.**

### Assemble Pipe Sections

Per Figure 7.2:

- Start the inner pipe on the lanced end of section A into the flared end of section B.
- Start the outer pipe of section A over the outer pipe of section B.
- Once both vents sections are started, push firmly until all lanced tabs lock into place.
- Lightly tug on the pipe to confirm the tabs have locked.

It is acceptable to use screws no longer than 1/2 in. (13 mm) to hold outer pipe sections together. If predrilling holes, **DO NOT** penetrate inner pipe.

For 90° and 45° elbows that are changing the vent direction

from horizontal to vertical, one screw minimum should be put in the outer flue at the horizontal elbow joint to prevent the elbow from rotating. Use screws no longer than 1/2 in. (13 mm). If predrilling screw holes, **DO NOT** penetrate inner pipe.



Figure 7.1 High Temperature Silicone Sealant

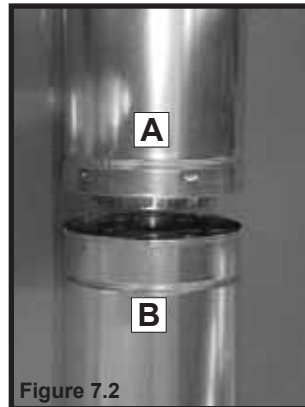


Figure 7.2

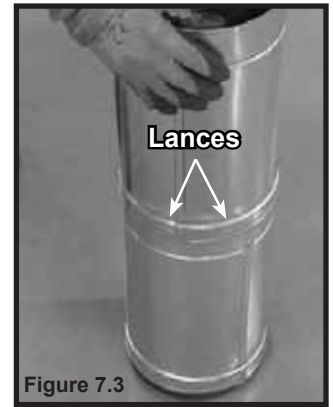


Figure 7.3

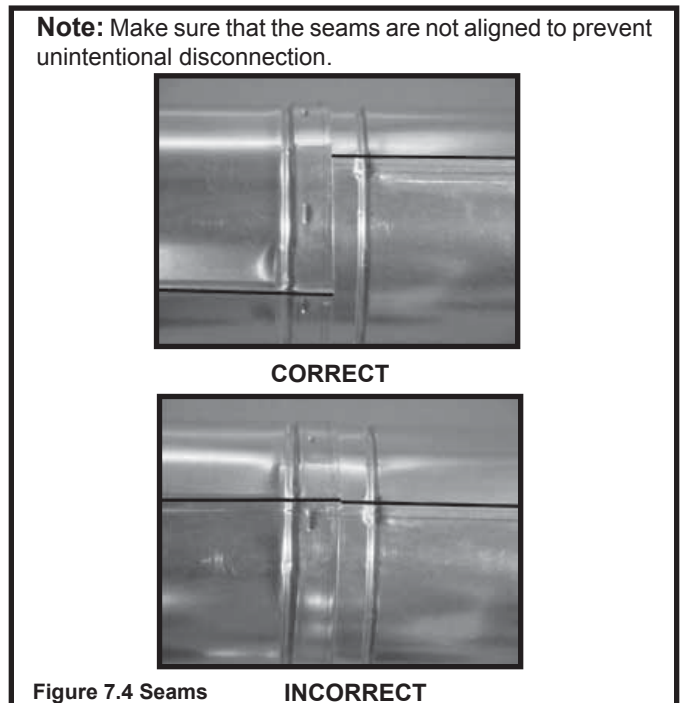


Figure 7.4 Seams

INCORRECT

## B. Assemble Vent Sections

### (SLP Only)

To attach the first vent component to the starting collars of the appliance:

- Attach a DVP-SLP24 or DVP-2SL adapter to the starting collar of the appliance.
- Lock the vent components into place by sliding the pipe section onto the collar.
- Align the seam of the pipe and seam of collar to allow engagement. Rotate the vent component to lock into place. Use this procedure for all vent components. See Figure 7.5.
- Slide the gasket over the first vent section and place it flush to the appliance. This will prevent cold air infiltration. Caulk with a minimum of 300°F continuous exposure rating may be used to hold the part in place.
- Continue adding vent components, locking each succeeding component into place.
- Ensure that each succeeding vent component is securely fitted and locked into the preceding component.

### Required Commercial, Multi-family (Multi-level exceeding two stories), or High-Rise Applications

All outer pipe joints must be sealed with high temperature silicone (300° F minimum continuous exposure rating), including the slip section that connects directly to the horizontal termination cap.

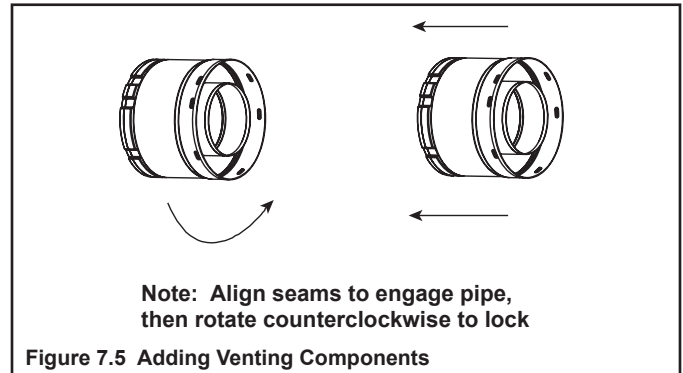
- Apply a bead of silicone sealant (300° F minimum continuous exposure rating) inside the female outer pipe joint prior to joining sections. See Figure 7.1. **OR**

Apply a bead of silicone sealant (300° F minimum continuous exposure rating) to the outside of connecting joint after joining sections **OR**

Apply aluminum foil tape (300° F minimum continuous exposure rating) to the outside of connecting joint after joining sections. On horizontal pipe runs, it is recommended that the tape seam is positioned on the bottom side of the vent pipe.

- Only outer pipes need to be sealed. All unit collar, pipe, slip section, elbow and cap outer flues shall be sealed in this manner, unless otherwise stated.

**WARNING! Risk of Fire or Explosion! DO NOT break silicone seals on slip sections. Use care when removing termination cap from slip pipe. If slip section seals are broken during removal of the termination cap, vent could leak.**



### C. Assemble Slip Sections (SLP & DVP)

- Slide the inner flue of the slip section into the inner flue of the pipe section and the outer flue of the slip section over the outer flue of the pipe section. See Figure 7.6.
- Slide together to the desired length.

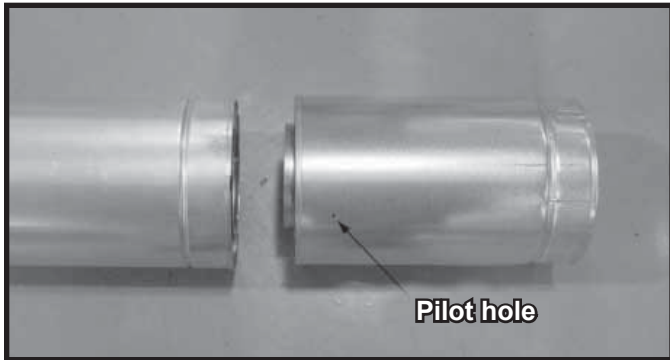


Figure 7.6 Slip Section Pilot Holes

- Maintain a 1-1/2 in. (38 mm) overlap between the slip section and the pipe section.
- Secure the pipe and slip section with two screws no longer than 1/2 in. (13 mm), using the pilot holes in the slip section. See Figure 7.7.

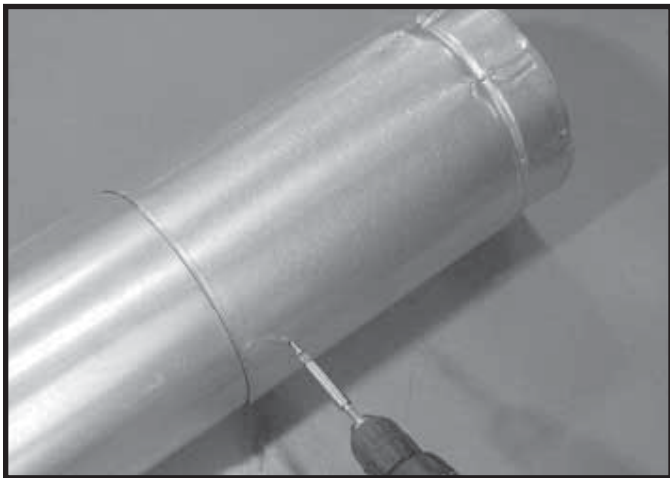


Figure 7.7 Screws into Slip Section

- Continue adding pipe as necessary following instructions in “Assembling Pipe Sections.”

**NOTICE:** If slip section is too long, the inner and outer flues of the slip section can be cut to the desired length.

**NOTICE:** When installing a vent system with an HRC termination cap, all pipe system joints shall be sealed using a high temperature silicone sealant (300° F minimum continuous exposure rating).

- Apply a bead of silicone sealant (300° F minimum continuous exposure rating) inside the female outer pipe joint prior to joining sections.
- Only outer pipes are sealed, sealing the inner flue is not required.
- All unit collar, pipe, slip section, elbow and cap outer flues shall be sealed.

### D. Secure the Vent Sections

- Vertical runs originating off the top of the appliance, with no offsets, must be supported every 8 ft. (2.44 m) after the maximum allowed 25 ft. (7.62 m) of unsupported rise.
- Vertical runs originating off the rear of the appliance, or after any elbow, must be supported every 8 ft. (2.44 m).
- Horizontal runs must be supported every 5 feet (1.52 m).
- Vent supports or plumbers strap (spaced 120° apart) may be used to support vent sections. See Figures 7.8 and 7.9.
- Wall shield firestops may be used to provide horizontal support to vent sections.
- SLP ceiling firestops have tabs that may be used to provide vertical support.

**WARNING! Risk of Fire, Explosion or Asphyxiation!** Improper support could allow vent to sag and separate. Use vent run supports and connect vent sections per installation instructions. **DO NOT** allow vent to sag below connection point to appliance.

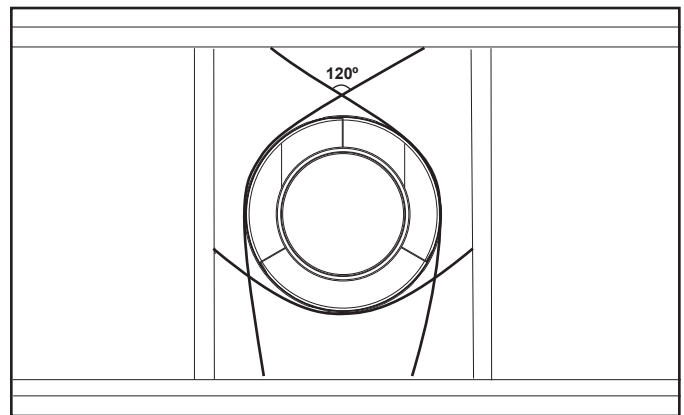


Figure 7.8 Securing Vertical Pipe Sections

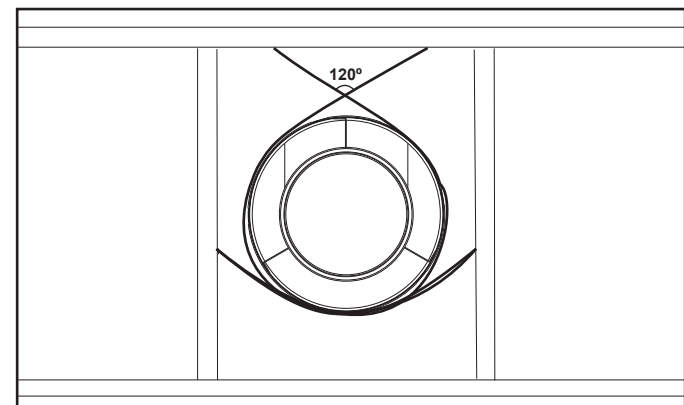


Figure 7.9 Securing Horizontal Pipe Sections

## E. Disassemble Vent Sections

- Rotate either section (see Figure 7.10) so the seams on both pipe sections are aligned as shown in Figure 7.11.
- Pull carefully to separate the pieces of pipe.

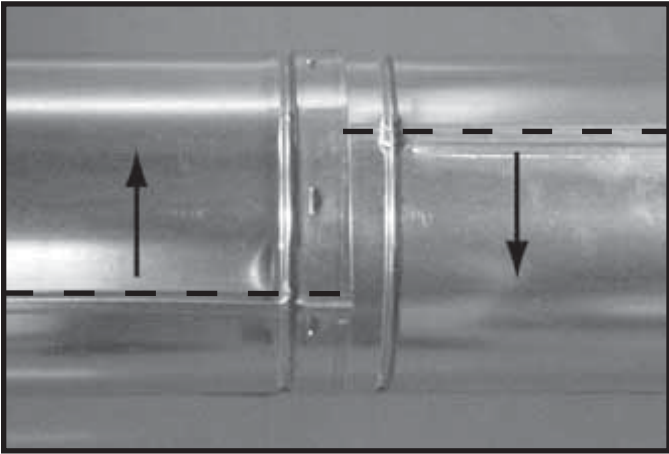


Figure 7.10 Rotate Seams for Disassembly

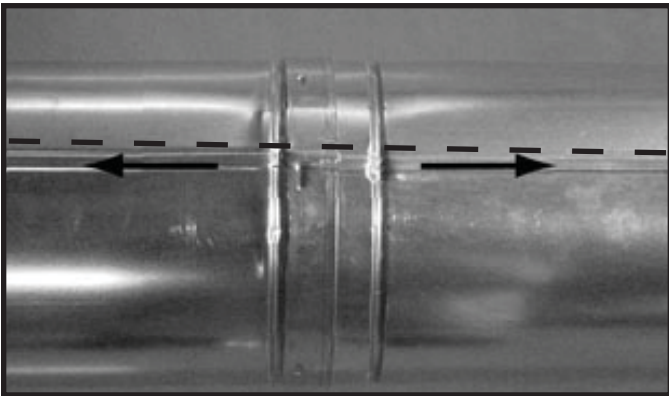
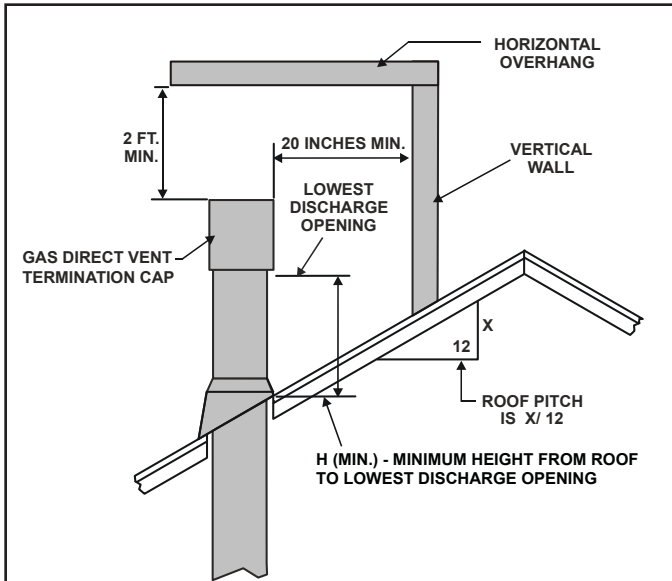


Figure 7.11 Align and Disassemble Vent Sections

## F. Vertical Termination Requirements

### Install Metal Roof Flashing

- See minimum vent heights for various pitched roofs (Figure 7.12) to determine the length of pipe to extend through the roof.
- Slide the roof flashing over the pipe sections extending through the roof as shown in Figure 7.13.



| <u>Roof Pitch</u>        | <u>H (Min.) Ft.</u> |
|--------------------------|---------------------|
| Flat to 6/12.....        | 1.0*                |
| Over 6/12 to 7/12.....   | 1.25*               |
| Over 7/12 to 8/12.....   | 1.5*                |
| Over 8/12 to 9/12.....   | 2.0*                |
| Over 9/12 to 10/12.....  | 2.5*                |
| Over 10/12 to 11/12..... | 3.25                |
| Over 11/12 to 12/12..... | 4.0                 |
| Over 12/12 to 14/12..... | 5.0                 |
| Over 14/12 to 16/12..... | 6.0                 |
| Over 16/12 to 18/12..... | 7.0                 |
| Over 18/12 to 20/12..... | 7.5                 |
| Over 20/12 to 21/12..... | 8.0                 |

\* H minimum may vary depending on regional snowfall. Refer to local codes.

Figure 7.12 Minimum Height From Roof to Lowest Discharge Opening

**NOTICE:** Failure to properly caulk the roof flashing and pipe seams could permit entry of water.

- Caulk the gap between the roof flashing and the outside diameter of the pipe.
- Caulk the perimeter of the flashing where it contacts the roof surface. See Figure 7.13.
- Caulk the overlap seam of any exposed pipe sections that are located above the roof line.

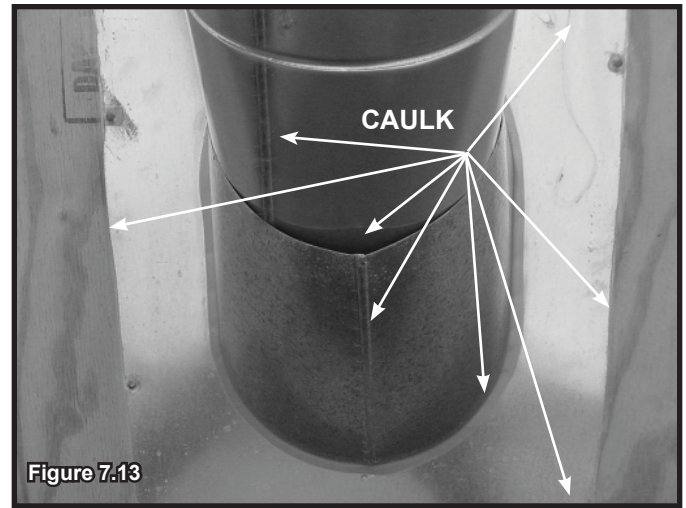


Figure 7.13

### Assemble and Install Storm Collar

**CAUTION!** Risk of Cuts, Abrasions or Flying Debris. Wear protective gloves and safety glasses during installation. Sheet metal edges are sharp.

- Slide the storm collar onto the exposed pipe section and align brackets.
- Insert a bolt (provided) through the brackets and install nut. Do not completely tighten.



- Slide the assembled storm collar down the pipe section until it rests on the roof flashing (see Figure 7.14).
- Tighten nut and make sure the collar is tight against the pipe section.
- Caulk around the top of the storm collar. See Figure 7.15.



## Install Vertical Termination Cap

- Attach the vertical termination cap by sliding the inner collar of the cap into the inner flue of the pipe section while placing the outer collar of the cap over the outer flue of the pipe section.
- Secure the cap by driving three self-tapping screws (supplied) through the pilot holes in the outer collar of the cap into the outer flue of the pipe (see Figure 7.15).



Figure 7.15

## G. Horizontal Termination Requirements

### Heat Shield Requirements for Horizontal Termination

**WARNING! Risk of Fire!** To prevent overheating and fire, heat shields must extend through the entire wall thickness.

- **DO NOT** remove the heat shields attached to the wall shield firestop and the horizontal termination cap (shown in Figure 7.16).
- Heat shields must overlap 1-1/2 in. (38 mm) minimum.

There are two sections of the heat shield. One section is factory-attached to the wall shield firestop. The other section is factory-attached to the cap. See Figure 7.16.

If the wall thickness does not allow the required 1-1/2 in. (38 mm) heat shield overlap when installed, an extended heat shield must be used.

- If the wall thickness is less than 4 in./102 mm (DVP) or 4-3/8 in./ 111 mm (SLP), the heat shields on the cap and wall shield firestop must be trimmed. A minimum 1-1/2 in. (38 mm) overlap **MUST** be maintained.
- Use an extended heat shield if the finished wall thickness is greater than 7-1/4 in. (184 mm).
- The extended heat shield may need to be cut to length maintaining sufficient length for a 1-1/2 in. (38 mm) overlap between heat shields.
- Attach the extended heat shield to either of the existing heat shields using the screws supplied with the extended heat shield. Refer to vent components diagrams in the back of this manual.
- Rest the small leg on the extended heat shield on top of the pipe section to properly space it from the pipe section.

**Important Notice:** Heat shields may not be field constructed.

## Install Horizontal Termination Cap (DVP and SLP Pipe)

**WARNING! Risk of Fire!** The telescoping flue section of the termination cap **MUST** be used when connecting vent.

- 1-1/2 (38 mm) minimum overlap of flue telescoping section is required.

Failure to maintain overlap could cause overheating and fire.

- Vent termination must not be recessed in the wall. Siding may be brought to the edge of the cap base.
- Flash and seal as appropriate for siding material at outside edges of cap.
- When installing a horizontal termination cap, follow the cap location guidelines as prescribed by current **ANSI Z223.1** and **CAN/CGA-B149** installation codes and refer to Section 4 of this manual.

**CAUTION! Risk of Burns!** Local codes may require installation of a cap shield to prevent anything or anyone from touching the hot cap.

**NOTICE:** For certain exposures which require superior resistance to wind-driven rain penetration, a flashing kit and HRC caps are available. When penetrating a brick wall, a brick extension kit is available for framing the brick.

**Note:** When using termination caps with factory-supplied heat shield attached, no additional wall shield firestop is required on the exterior side of a combustible wall.

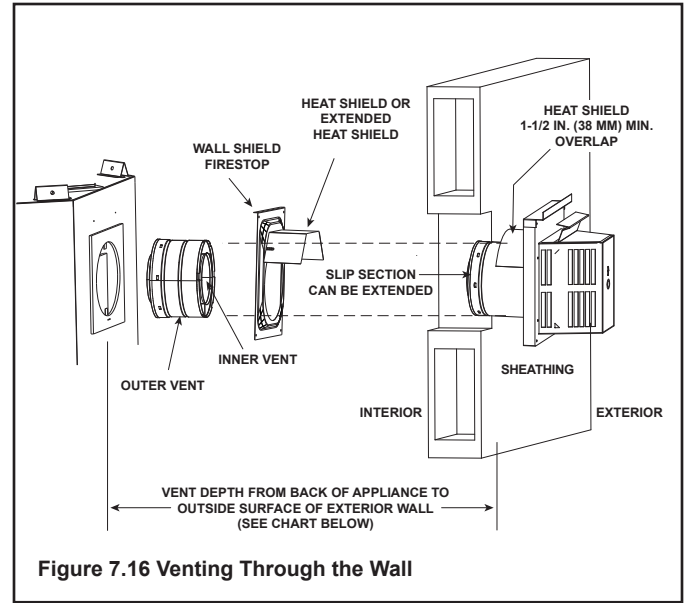


Figure 7.16 Venting Through the Wall

**Cap Specification Chart**  
(depth without using additional pipe sections)

|                                 |                       |                        |                        |                        |
|---------------------------------|-----------------------|------------------------|------------------------|------------------------|
| 36 inch<br>Multisided<br>Series | <b>DVP-TRAPK1</b>     | <b>DVP-TRAP1</b>       | <b>DVP-TRAPK2</b>      | <b>DVP-TRAP2</b>       |
|                                 | <b>Top Vent Depth</b> | <b>Rear Vent Depth</b> | <b>Top Vent Depth</b>  | <b>Rear Vent Depth</b> |
|                                 | 2-7/8 in to 4-3/4 in  | 3-1/8 in. to 5 in.     | 5-1/4 in. to 9-1/4 in. | 5-1/2 in. to 9-1/2 in. |
|                                 | <b>DVP-HPC1</b>       | <b>DVP-HPC1</b>        | <b>DVP-HPC2</b>        | <b>DVP-HPC2</b>        |
|                                 | <b>Top Vent Depth</b> | <b>Rear Vent Depth</b> | <b>Top Vent Depth</b>  | <b>Rear Vent Depth</b> |
|                                 | 2-7/8 in. to 5 in.    | 3-1/8 in. to 5-1/4 in. | 5 in. to 9-1/8 in.     | 5-1/4 in. to 9-1/2 in. |

DVP-TRAP1 can adjust 1-1/2 in. (3-1/8 to 4-5/8 in.)

DVP-TRAP2 can adjust 4 in. (5-3/8 to 9-3/8)

DVP-HPC1 can adjust 2-1/8 in. (4-1/4 to 6-3/8)

DVP-HPC2 can adjust 4-1/8 in. (6-3/8 to 10-1/2)

# 8 Electrical Information

## A. General Information

**WARNING! Risk of Shock or Explosion! DO NOT wire 110-120 VAC to the valve or to the appliance wall switch. Incorrect wiring will damage controls.**

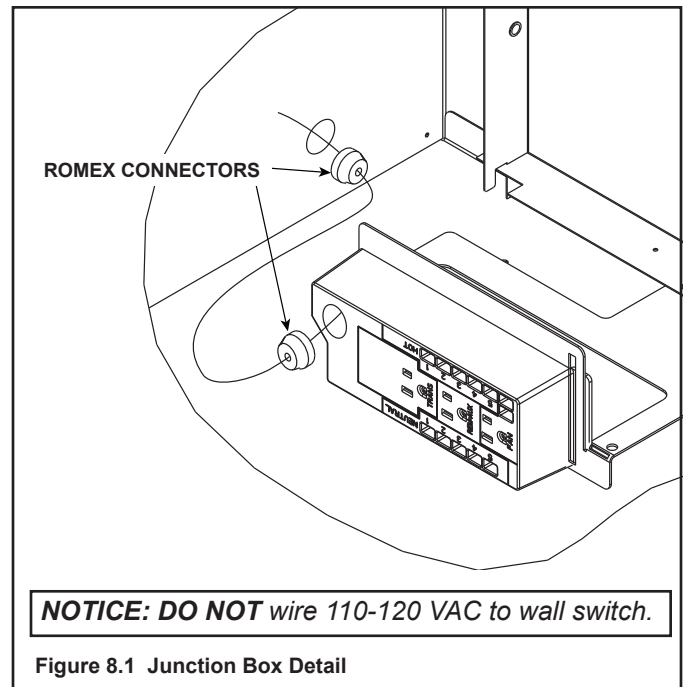
**NOTICE:** This appliance must be electrically wired and grounded in accordance with local codes or, in the absence of local codes, with **National Electric Code ANSI/NFPA 70-latest edition or the Canadian Electric Code CSA C22.1.**

- Wire the appliance junction box to unswitched 110-120 VAC. This is required for proper operation of the appliance.
- A 110-120 VAC circuit for this product must be protected with ground-fault circuit-interrupter protection, in compliance with the applicable electrical codes, when it is installed in locations such as in bathrooms or near sinks.
- Low voltage and 110-120 VAC voltage cannot be shared within the same wall box.

## Junction Box Installation

The junction box must be wired from the **INSIDE** of the appliance:

- Determine which side of the appliance the junction box is located on.
- Pull the electrical wires from outside the appliance through the knockout making sure to use a Romex connector to fasten the electrical wires to the unit.
- Pull enough wire into the valve compartment to easily reach the junction box location.
- Remove the screw attaching the junction box to the junction box bracket and set it aside.
- Route the wire through the knockout in the junction box bracket.
- Wire the junction box and reattach it to the bracket by inserting the tab in the slot and attaching with screw previously removed. Ensure that a Romex connector is used to attach the electrical wires to the junction box.





## Accessories Requirements

- This appliance may be used with a wall switch, wall mounted thermostat and/or a remote control.

Wiring for optional Hearth & Home Technologies approved accessories should be done now to avoid reconstruction. Follow instructions that come with those accessories.

## Electrical Service and Repair

**WARNING! Risk of Shock!** Label all wires prior to disconnection when servicing controls. Wiring errors could cause improper and dangerous operation. Verify proper operation after servicing.

**WARNING! Risk of Shock!** Replace damaged wire with type 105° C rated wire. Wire must have high temperature insulation.

## B. IntelliFire™ Touch Ignition System Wiring

- Wire the appliance junction box to 110-120 VAC for proper operation of the appliance.

**WARNING! Risk of Shock or Explosion! DO NOT wire IPI controlled appliance junction box to a switched circuit. Incorrect wiring will override IPI safety lockout.**

- Refer to Figure 8.2, IntelliFire™ Touch (IPI) Wiring Diagram.
- This appliance is equipped with an Intellifire control valve which operates on a 6 volt system.

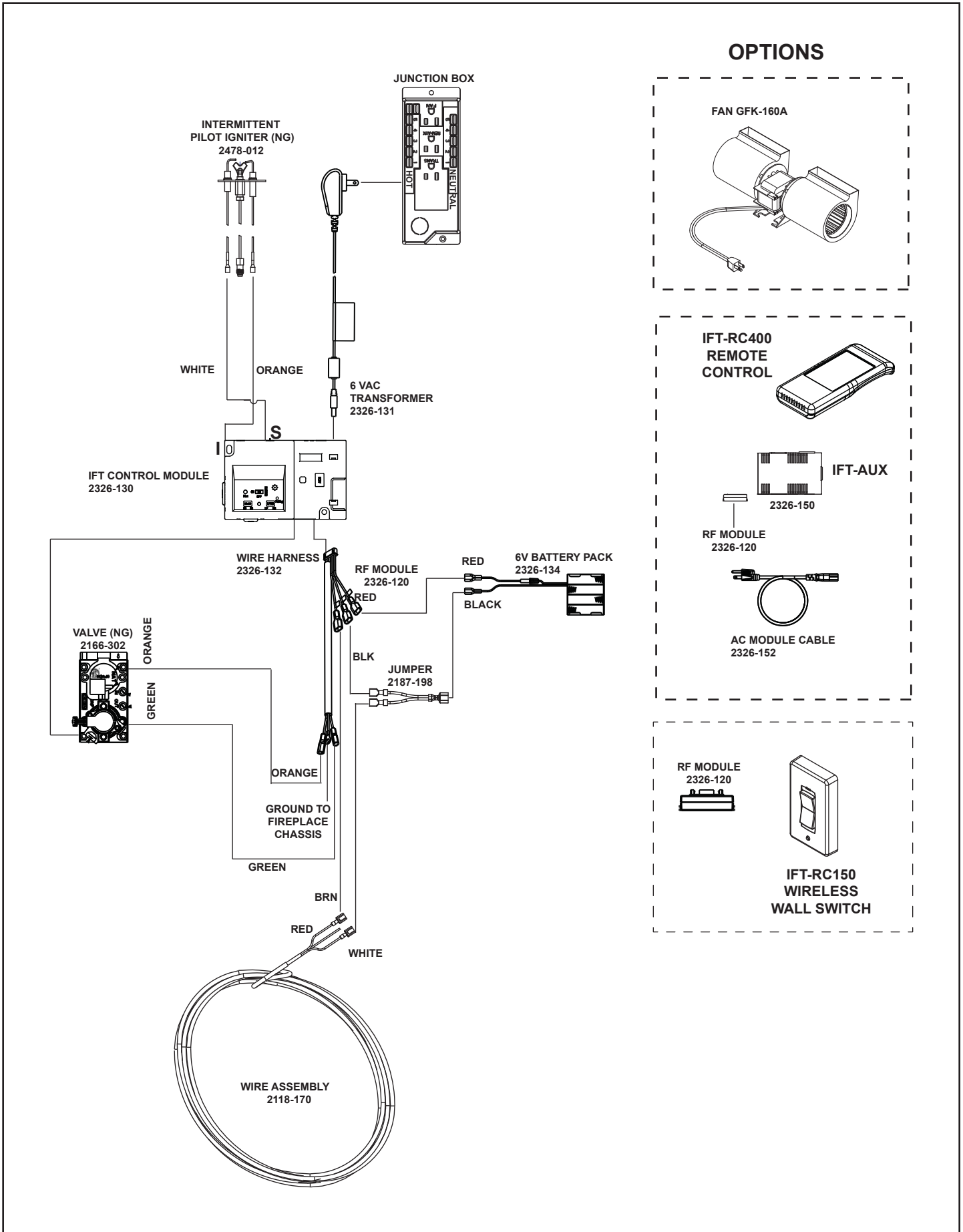


Figure 8.2 IntelliFire™ Touch Wiring With Wall Switch

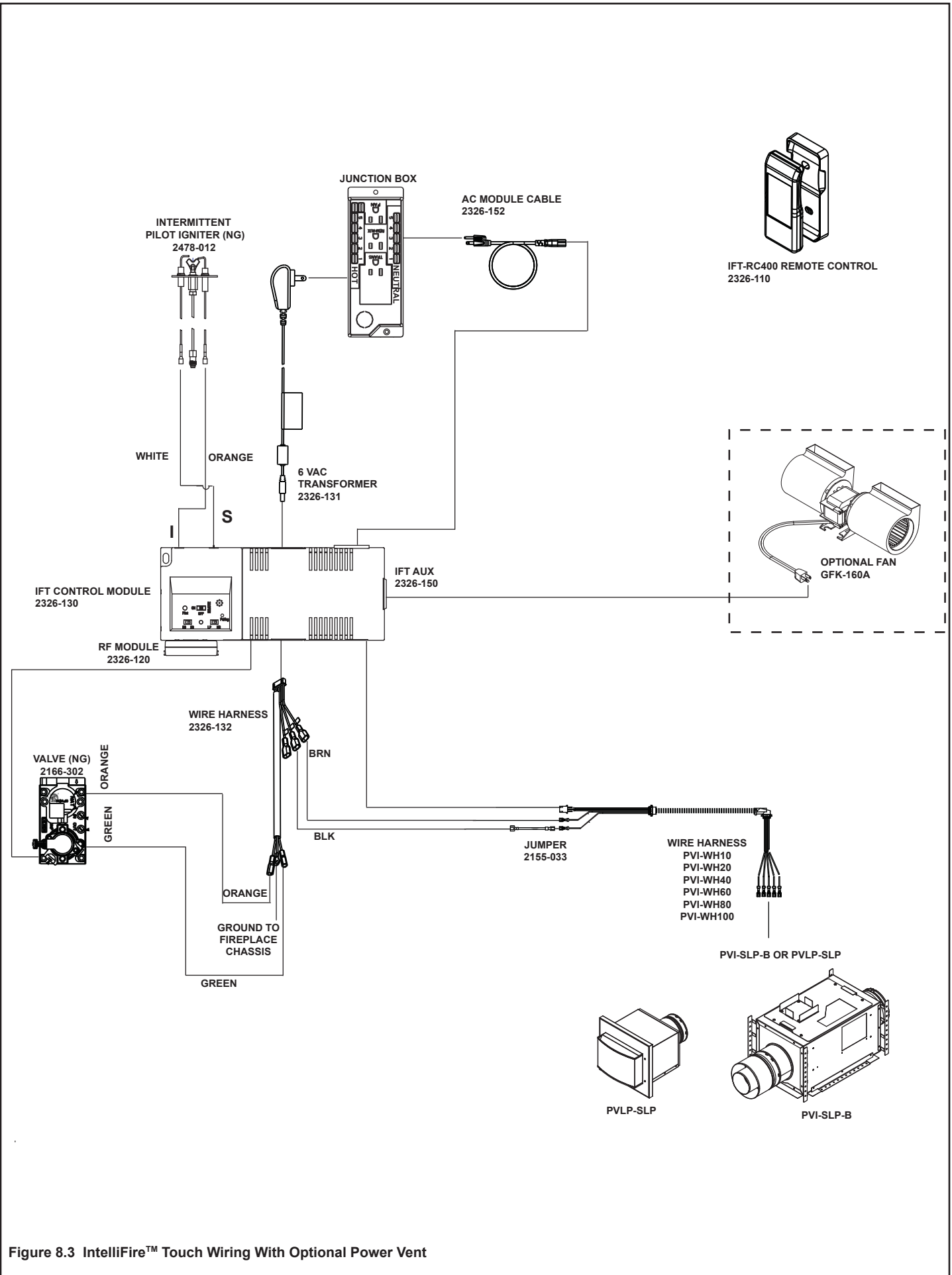


Figure 8.3 IntelliFire™ Touch Wiring With Optional Power Vent

## C: Fan (Optional)

### Installation (Without Optional Remote)

1. Install and wire the fan in appliance as shown in Figure 8.4 and Figure 8.5.
2. Wire the fan temperature sensor and adjustable speed control (rheostat switch) according to the instructions provided with the fan.
3. Attach rheostat switch to the valve bracket.

### Installation (With Optional Remote)

1. Wire the fan as shown in Figure 8.3.
2. Locate the fan as shown in Figure 8.4.

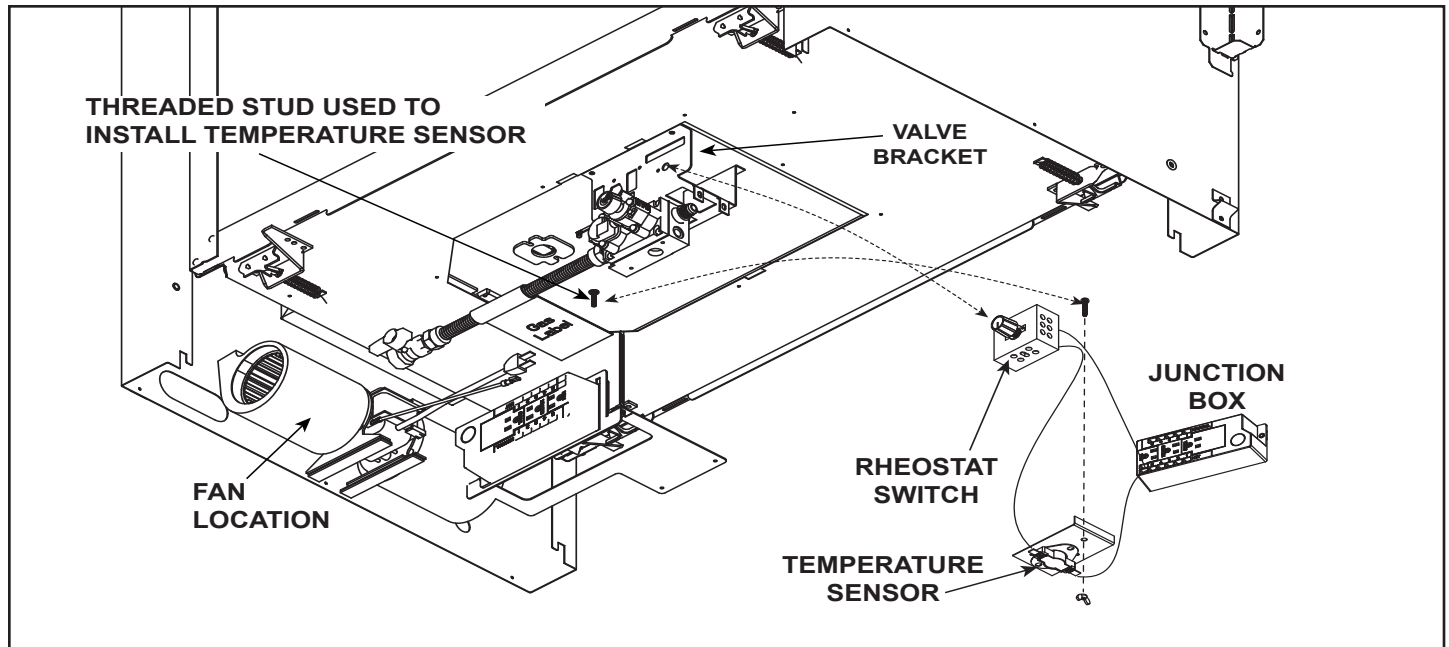


Figure 8.4 Fan Location, Fan and Rheostat Wiring

### Temperature Sensor Wiring for Optional Fan

If the fan will not be installed for operation with the IFT-RC400, the temperature sensor will need to be installed. See Figure 8.4 for location of the temperature sensor and rheostat switch.

- The power supply for the appliance must be brought into the junction box.
- Install rheostat switch in location as seen in Figure 8.4.
- Connect temperature sensor switch wire and rheostat switch wires to junction box as shown in Figure 8.5.

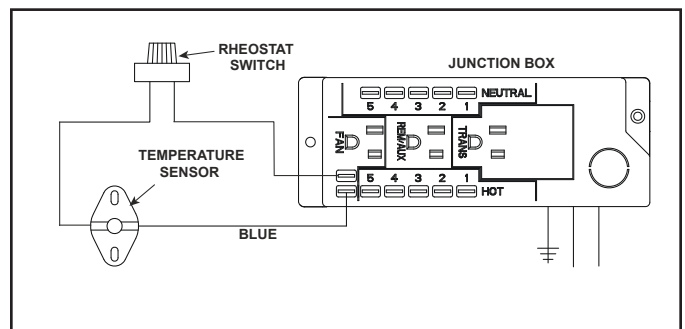


Figure 8.5 Detail of Fan Wiring with Rheostat

# 9 Gas Information

## A. Fuel Conversion

- Make sure the appliance is compatible with available gas types.
- Conversions must be made by a qualified service technician using Hearth & Home Technologies specified and approved parts.


## B. Gas Pressure

- Optimum appliance performance requires proper input pressures.
- Gas line sizing requirements will be determined in ANSI Z223.1 National Fuel Gas Code in the USA and CAN/CGA B149 in Canada.
- Pressure requirements are:

| Gas Pressure           | Natural Gas   | Propane       |
|------------------------|---------------|---------------|
| Minimum inlet pressure | 5.0 in. w.c.  | 11.0 in. w.c. |
| Maximum inlet pressure | 10.0 in. w.c. | 13.0 in. w.c. |
| Manifold pressure      | 3.5 in. w.c.  | 10.0 in. w.c. |

**WARNING! Risk of Fire or Explosion!** High pressure will damage valve. Low pressure could cause explosion.

- Verify inlet pressures. Verify minimum pressures when other household gas appliances are operating.
- Install regulator upstream of valve if line pressure is greater than 1/2 psig.

|   |  |
|---|--|
| <b>⚠ WARNING</b>  |  |
|  | <p>Fire Risk.<br/>Explosion Hazard.<br/>High pressure will damage valve.</p> <ul style="list-style-type: none"><li>• Disconnect gas supply piping BEFORE pressure testing gas line at test pressures above 1/2 psig.</li><li>• Close the manual shutoff valve BEFORE pressure testing gas line at test pressures equal to or less than 1/2 psig.</li></ul> |

**Note:** Have the gas supply line installed in accordance with local codes, if any. If not, follow ANSI 223.1. Installation should be done by a qualified installer approved and/or licensed as required by the locality. (In the Commonwealth of Massachusetts installation must be performed by a licensed plumber or gas fitter).

**Note:** A listed (and Commonwealth of Massachusetts approved) 1/2 in. (13 mm) T-handle manual shut-off valve and flexible gas connector are connected to the 1/2 in. (13 mm) control valve inlet.

- **If substituting for these components, please consult local codes for compliance.**

## C. Gas Connection

- Refer to Reference Section 3 for location of gas line access in appliance.
- Gas line may be run through knockout(s) provided.
- The gap between supply piping and gas access hole may be caulked with caulk with a minimum of 300°F continuous exposure rating or stuffed with non-combustible, unfaced insulation to prevent cold air infiltration.
- Ensure that gas line does not come in contact with outer wrap of the appliance. Follow local codes.
- Pipe incoming gas line into valve compartment.
- Connect incoming gas line to the 1/2 in. (13 mm) connection on manual shutoff valve.

**WARNING! Risk of Fire or Explosion!** Support control when attaching pipe to prevent bending gas line.

- A small amount of air will be in the gas supply lines.

**WARNING! Risk of Fire or Explosion!** Gas build-up during line purge could ignite.

- Purge should be performed by qualified service technician.
- Ensure adequate ventilation.
- Ensure there are no ignition sources such as sparks or open flames.

Light the appliance. It will take a short time for air to purge from lines. When purging is complete the appliance will light and operate normally.

**WARNING! Risk of Fire, Explosion or Asphyxiation!** Check all fittings and connections with a non-corrosive commercially available leak-check solution. **DO NOT** use open flame. Fittings and connections could have loosened during shipping and handling.

**WARNING! Risk of Fire! DO NOT** change valve settings. This valve has been preset at the factory.

## D. High Altitude Installations

**NOTICE:** If the heating value of the gas has been reduced, these rules do not apply. Check with your local gas utility or authorities having jurisdiction.

When installing above 2000 feet elevation:

- In the USA: Reduce input rate 4% for each 1000 feet above 2000 feet.
- In CANADA: Input ratings are certified without a reduction of input rate for elevations up to 4500 feet (1370 m) above sea level. Please consult provincial and/or local authorities having jurisdiction for installations at elevations above 4500 feet (1370 m).

Check with your local gas utility to determine proper orifice size.

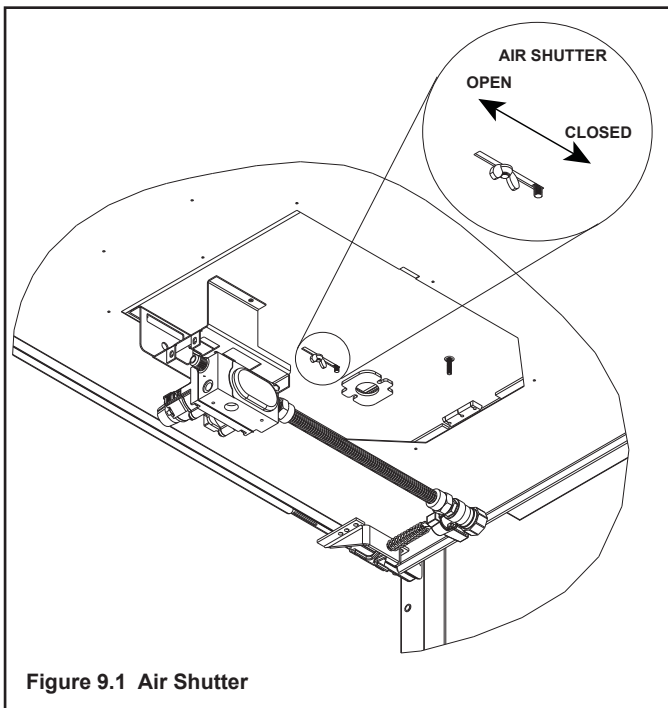
## E. Air Shutter Setting

Air shutter settings should be adjusted by a qualified service technician at the time of installation. The air shutter is set at the factory for minimum vertical vent run. Minimum vent run consists of enough horizontal vent pipe to exit 2 X 6 wall construction (approximately 8 inches). Adjust air shutter for longer vertical runs. See Figure 4.14.

- Loosen the wing nut.
- Move the wing nut to adjust the air shutter. See Figure 9.1.
- Tighten the wing nut when adjustment is complete.

**NOTICE:** If sooting occurs, provide more air by opening the air shutter.

**Note:** Adjust air shutter after flame has reached full maturity (approximately 20-40 minutes).



### Air Shutter Settings (Factory Set to Minimum Vent Run)

| GAS TYPE | MIN. VENT RUN | MAX. VENT RUN |
|----------|---------------|---------------|
| NG       | 1/8 in.       | Full Open     |
| PROPANE  | Full Open     | Full Open     |

Minimum and maximum shutter settings were determined per the vent configuration shown in Figure 4.20.

- Minimum vent run consists of enough horizontal vent pipe to exit 2 X 6 wall construction (approximately 8 inches).
- Maximum vent run consists of “H<sub>1</sub> Maximum” shown in Figure 4.20.

**Note:** All vent runs may need to be evaluated for ideal shutter settings. Shutter distances may vary due to vent run, fuel quality, and elevation.

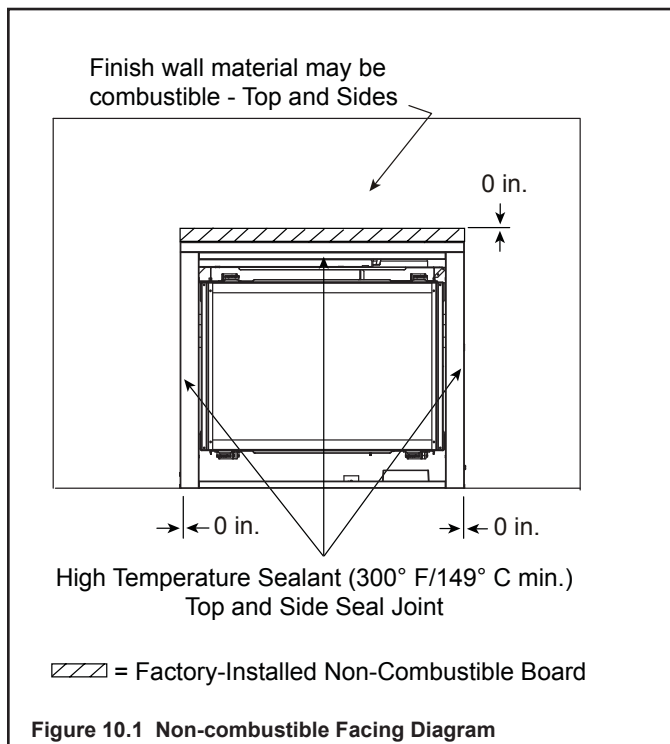
# 10 Finishing

## A. Facing Material

- Metal front faces may be covered with non-combustible materials only.
- Facing and/or finishing materials must not interfere with air flow through louvers, operation of louvers or doors, or access for service.
- Facing and/or finishing materials must never overhang into the glass opening.
- Observe all clearances when applying combustible materials.
- Seal joints between the finished wall and appliance top and sides using a 300 °F minimum sealant. Refer to Figure 10.1.

**WARNING! Risk of Fire! DO NOT** apply combustible materials beyond the minimum clearances. Comply with all minimum clearances to combustibles as specified in this manual. Overlapping materials could ignite and will interfere with proper operation of doors and louvers.

**NOTICE:** Surface temperatures around the appliance will become warm while the appliance is in operation. Ensure finishing materials used for all surfaces (floor, walls, mantels, etc.) will withstand temperatures up to 190°F.

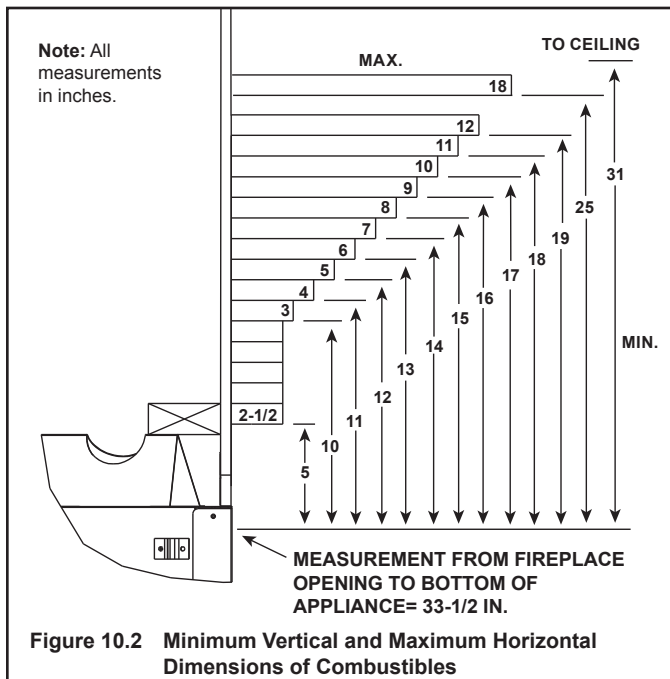


## B. Mantel and Wall Projections

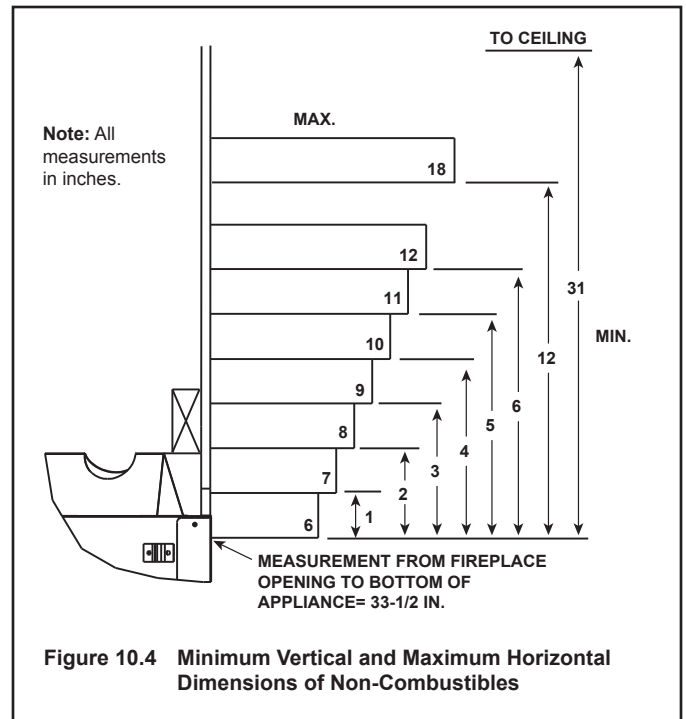
**WARNING! Risk of Fire!** Comply with all minimum clearances as specified. Framing closer than the minimums listed must be constructed entirely of non-combustible materials (i.e., steel studs, concrete board, etc.).

**Note:** Measurement is taken from top of the opening, NOT the top of the fireplace.

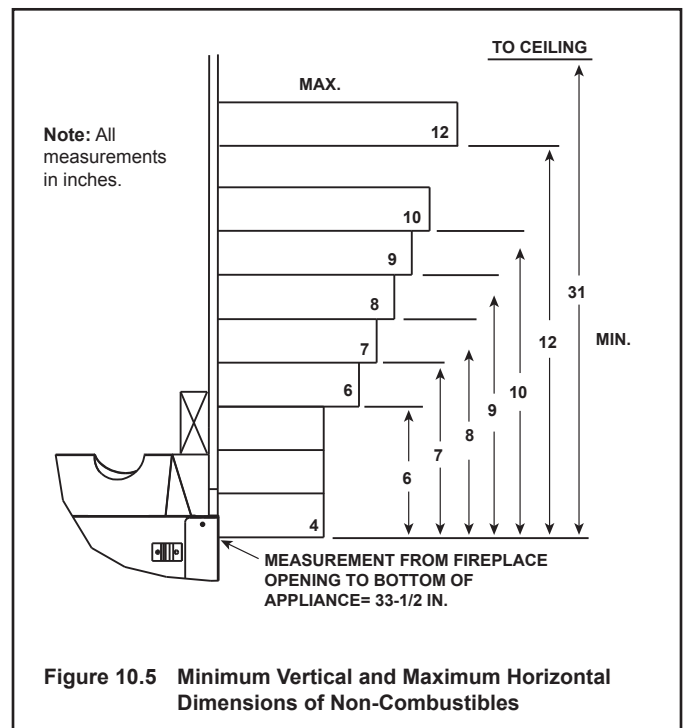
### ST-36TRB-IFT Combustible Mantel



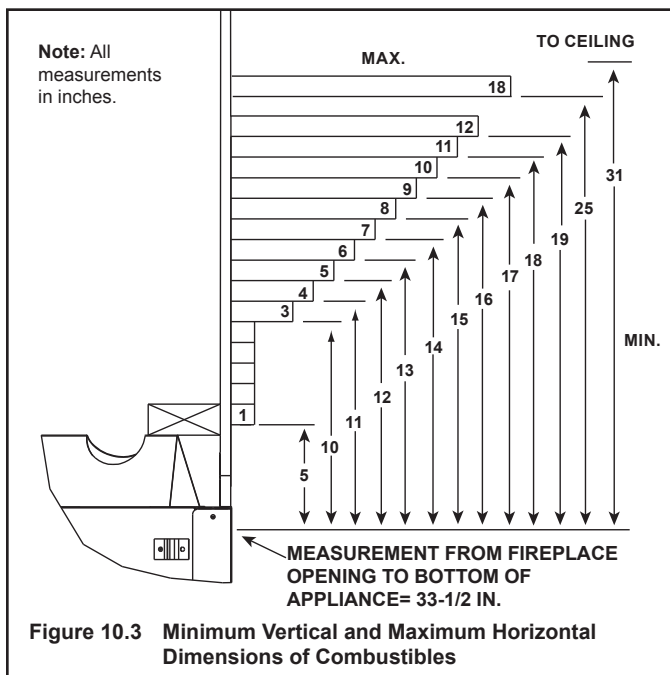
### ST-36TRB-IFT Non-Combustible Mantel



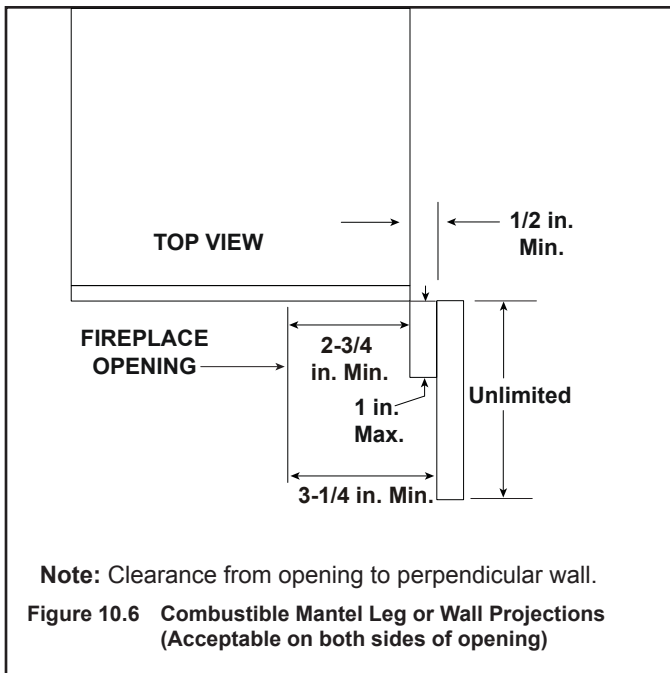
### PIER-36TRB-IFT Non-Combustible Mantel



### PIER-36TRB-IFT Combustible Mantel





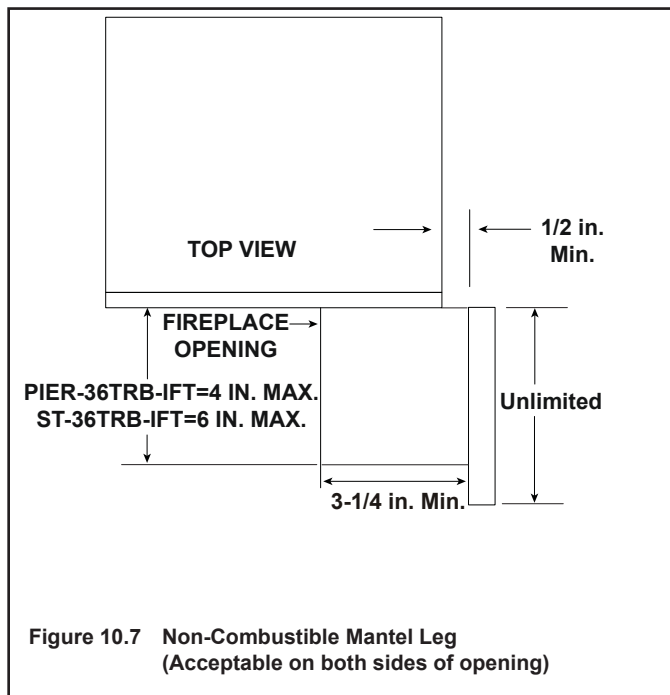


## C. Finishing Material

Only decorative fronts certified for use with this appliance model may be used. Contact your dealer for a list of decorative fronts that may be used. Once you have determined what kind of decorative front and finishing material is going to be used on the fireplace, you may use the table below which shows the decorative front models and the finishing material thickness allowed. For an inside fit there is an available template to assist with sizing the finishing material.

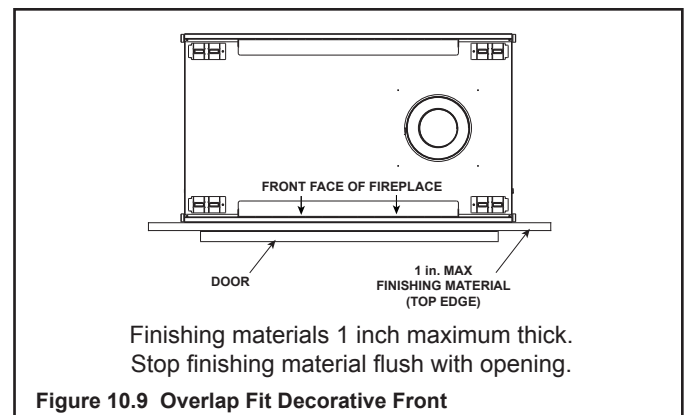
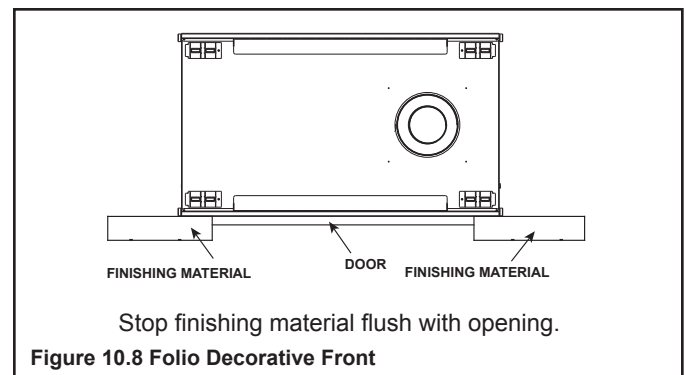
### ST-36TRB-IFT

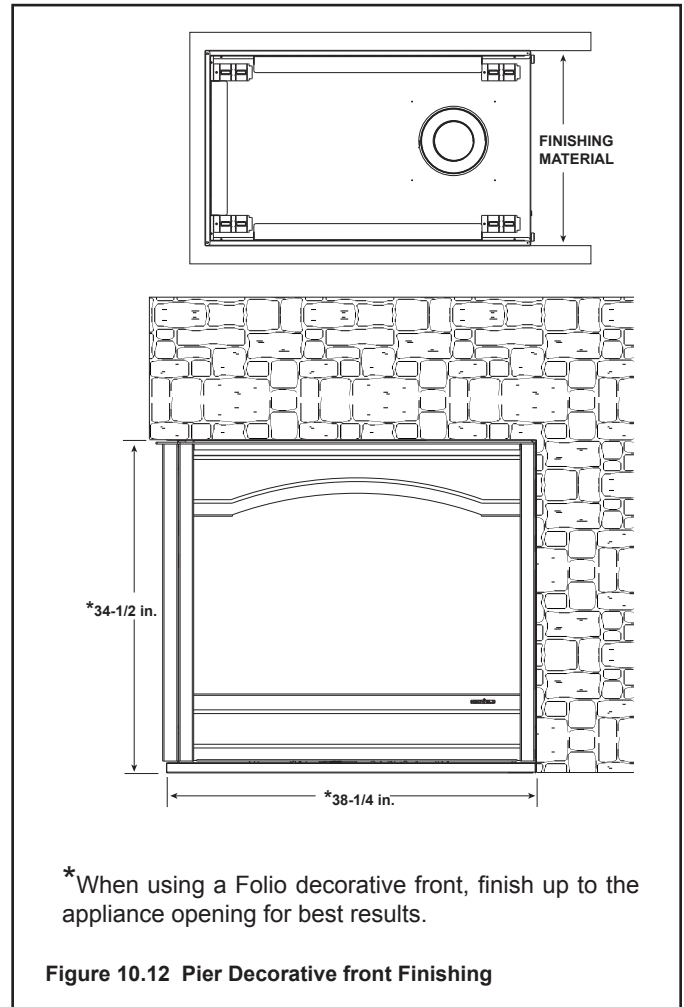
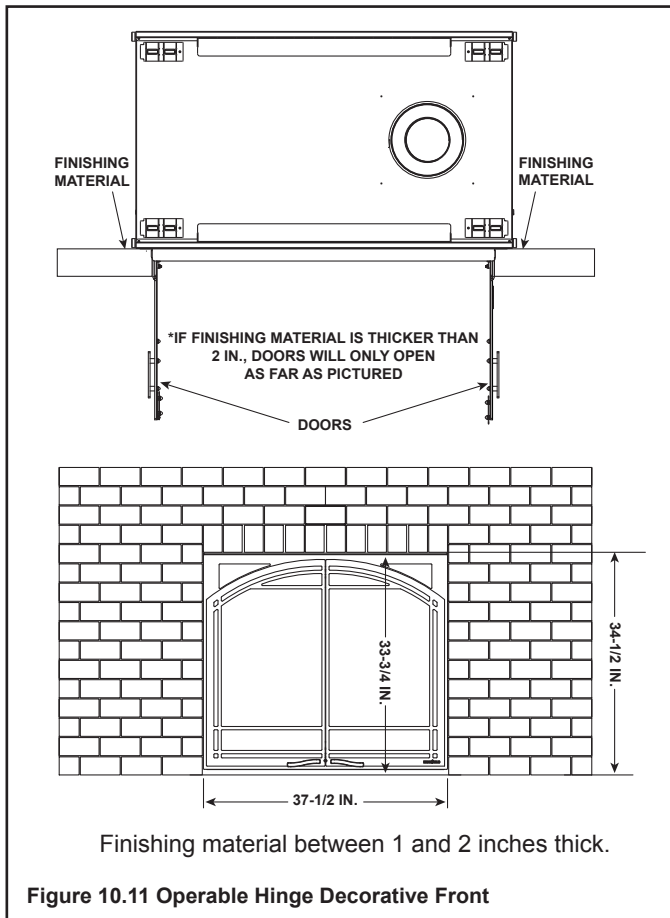
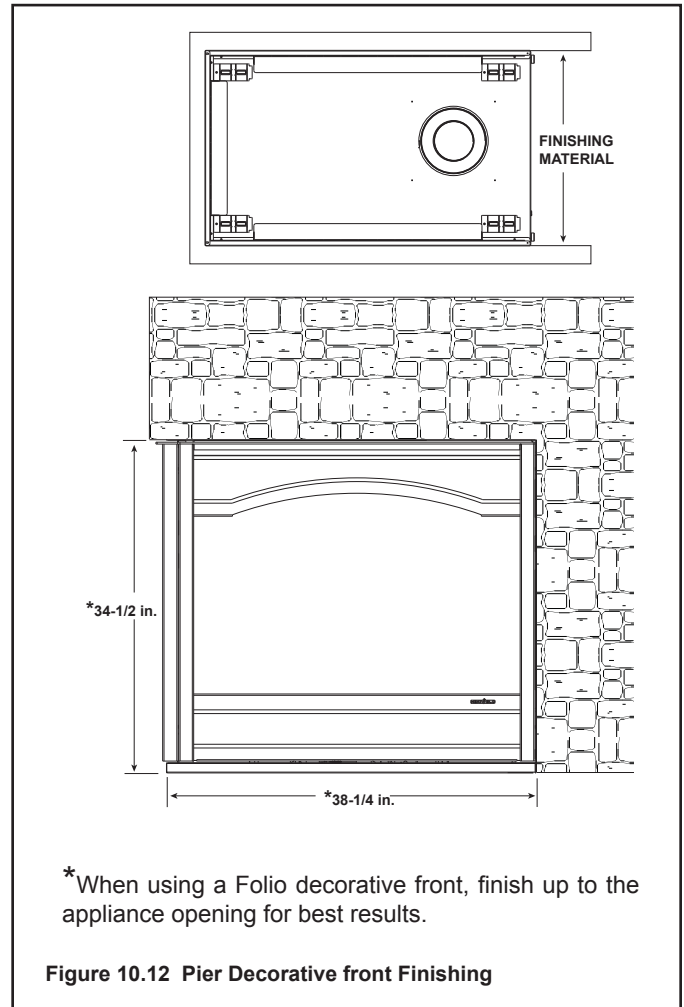
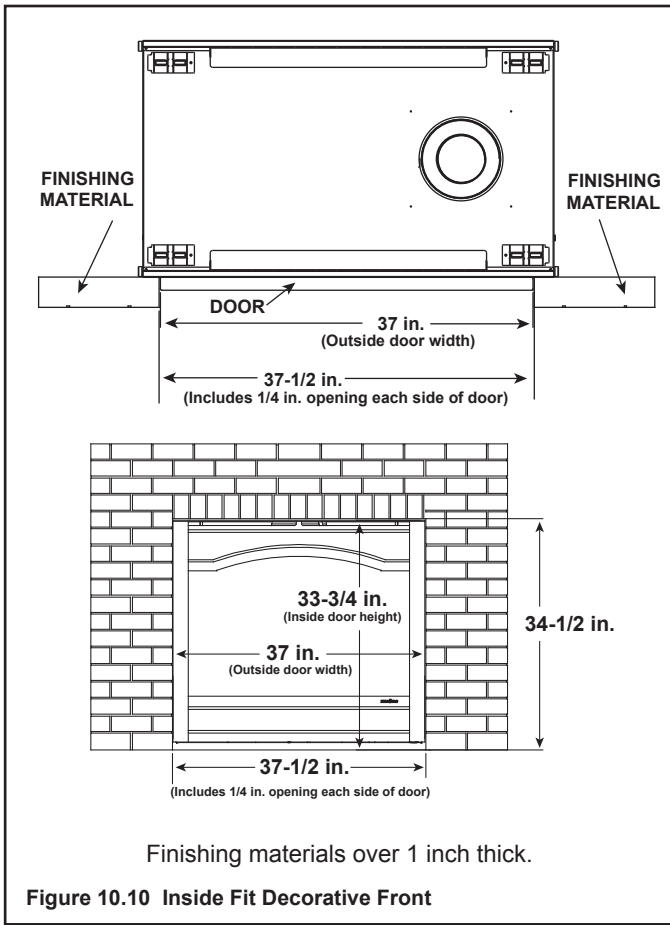
| DECORATIVE FRONT | FIT     | FINISH MATERIAL MAXIMUM THICKNESS | SEE FIGURE |
|------------------|---------|-----------------------------------|------------|
| Folio            | Inside  | Any                               | 10.8       |
| Arcadia          | Overlap | 1 inch                            | 10.9       |
|                  | Inside  | Any                               | 10.10      |
| Halston          | Overlap | 1 inch                            | 10.9       |
|                  | Inside  | Any                               | 10.10      |
| Chateau          | Overlap | 1 inch                            | 10.9       |
|                  | Inside  | Any                               | 10.10      |
| Galleria         | Overlap | 1 inch                            | 10.9       |
|                  | Inside  | Any                               | 10.11      |



### PIER-36TRB-IFT

| DECORATIVE FRONT | FIT    | FINISH MATERIAL MAXIMUM THICKNESS | SEE FIGURE |
|------------------|--------|-----------------------------------|------------|
| Folio            | Inside | Any                               | 10.12      |
| Chateau          | Inside | Any                               | 10.12      |
| Arcadia          | Inside | Any                               | 10.12      |





\*When using a Folio decorative front, finish up to the appliance opening for best results.

**Figure 10.12 Pier Decorative front Finishing**

# 11 Appliance Setup

## A. Remove Fixed Glass Assembly

**WARNING! Risk of Asphyxiation!** Handle fixed glass assembly with care. Inspect the gasket to ensure it is undamaged and inspect the glass for cracks, chips or scratches.

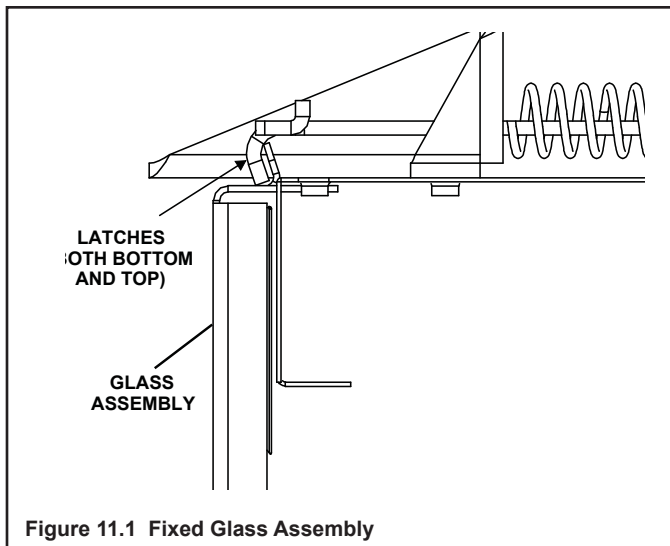
- **DO NOT** strike, slam or scratch glass.
- **DO NOT** operate fireplace with glass removed, cracked, broken or scratched.
- Replace as a complete assembly.

### Removing Fixed Glass Assembly

- Pull the four glass latches out of the grooves on the glass frame top and bottom.
- Remove the glass door from the appliance.
- Multiple sides may be able to be removed based upon model.

### Replacing Fixed Glass Assembly

- Replace the glass door on the appliance.
- Pull out the four glass latches and place in the grooves on the glass frame top and bottom.
- Make sure all sides are replaced properly.



## B. Remove the Shipping Materials

Remove shipping materials from inside or underneath the firebox.

- The splatter guard is a piece of corrugated material used to protect the appliance during the installation process before finishing work on the whole hearth is complete. Splatter guards may be factory installed or accompany the decorative front of the appliance, depending on the fireplace model. Splatter guards must be removed before appliance is fired.

**WARNING! Risk of Fire!** Close the ball valve before installing the splatter guard to prevent accidental lighting. Remove the splatter guard before lighting the appliance.

Step 1. Turn off gas to valve. Red gas shutoff knob is located on ball valve. Disconnect the 6 volt transformer from the junction box. See Figure 11.2



Figure 11.2

### To install the Splatter Guard:

Step 2. Crease flap on top side of splatter guard using the scored line as the guide. See Figure 11.3.



Figure 11.3

Step 3. Crease flaps on left and right sides of splatter guard using the scored line as the guide. See Figure 11.4



Figure 11.4 Folding of Right and Left Sides of Splatter Guard

Step 4. Center the splatter guard in front of the unit as shown in Figure 11.5. Place the splatter guard in the unit by guiding the top flap into proper position and then continuing to guide the tabs on the side flaps into the top slot on the left and right sides of the appliance. The top slot is indicated in Figure 11.6. Take care not to bend or break off the tabs.



Figure 11.5 Installation of Splatter Guard

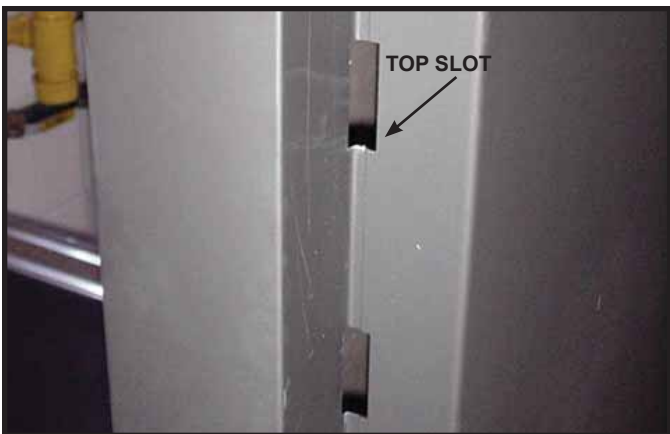


Figure 11.6 Top slot

Step 5. Fold bottom flap along score line as indicated in Figure 11.7 and tuck into valve access area of appliance. Splatter guard should fit securely on front of unit.

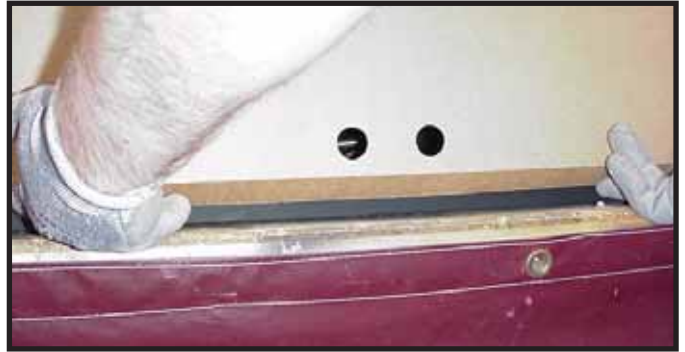


Figure 11.7 Folding Bottom Flap



Figure 11.8 Prepare to Open Lower Access Panel

Step 6. To open lower access panel of splatter guard, place one hand above score line and place two fingers from other hand in the round holes on the front of the splatter guard. See Figure 11.8. Pull out and fold up the panel as shown in Figure 11.9. Disengage the tabs on left and right bottom of splatter guard and fit them into the square holes. The tabs are now inside the front of the splatter guard; carefully bend them down. See Figure 11.10.



Figure 11.9 Opening Lower Access Panel



Figure 11.10 Securing Tabs Inside Front of Splatter Guard

## C. Clean the Appliance

Clean/vacuum any sawdust that may have accumulated inside the firebox or underneath in the control cavity.

Once plumbing and wiring are complete on the fireplace, the lower access panel may be closed until the time that the splatter guard must be removed for firing the appliance.



Figure 11.11 Splatter Guard with Lower Access Panel Open

### To Close the Lower Access Panel:

Carefully disengage the tabs from the square holes and bend the access panel to its original position. Bend the center bottom flap and insert it into the bottom of the appliance.



Figure 11.12 Splatter Guard with Lower Access Panel Closed

### To Remove the Splatter Guard:

Carefully grab splatter guard on or near the vertical center on the left and right sides. Pull outward gently, but firmly, taking care not to tear or remove the inserted tabs.



## D. Glowing Ember and Lava Rock Placement

Place glowing embers as shown in Figure 11.13.

**WARNING! Risk of Explosion! Follow ember placement instructions in manual. DO NOT place embers directly over burner ports. Replace ember material annually. Improperly placed embers interfere with proper burner operation.**

### Placing the Ember Material

Ember material is shipped with this gas appliance. To place the ember material:

- Embers may only be placed in areas as shown in Figure 11.13. Care should be taken not to cover the lighting trail of ports near pilot assembly as shown in Figure 11.13.
- When placing Glowing Embers® onto the burner care should be taken so that the ports are not covered. Place the dime-size ember pieces. See Figure 11.13. Failure to follow this procedure will likely cause lighting and sooting problems.
- Place Lava Rock on areas of base pan away from the burner as shown in Figure 11.14. Do not place lava rock on burner. Use this material to give the appliance a realistic ash bed.
- Save the remaining ember materials for use during appliance servicing. The embers provided should be enough for 3 to 5 applications.

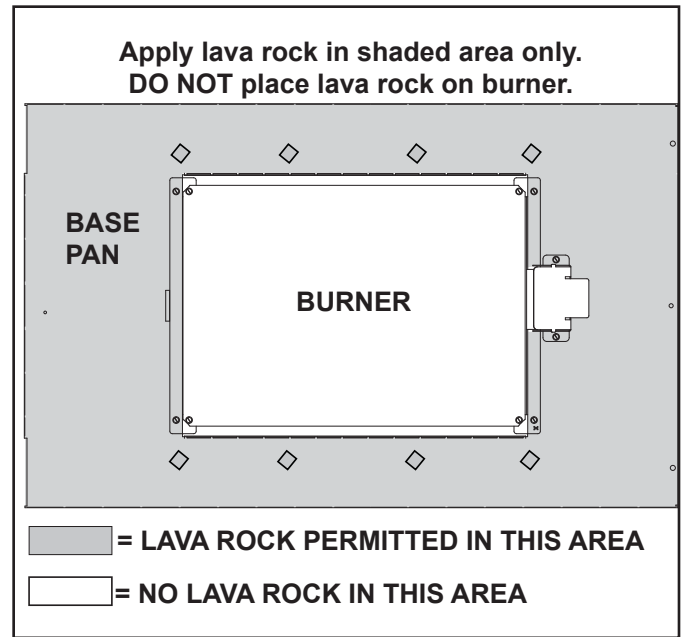


Figure 11.14 Placement of Lava Rock

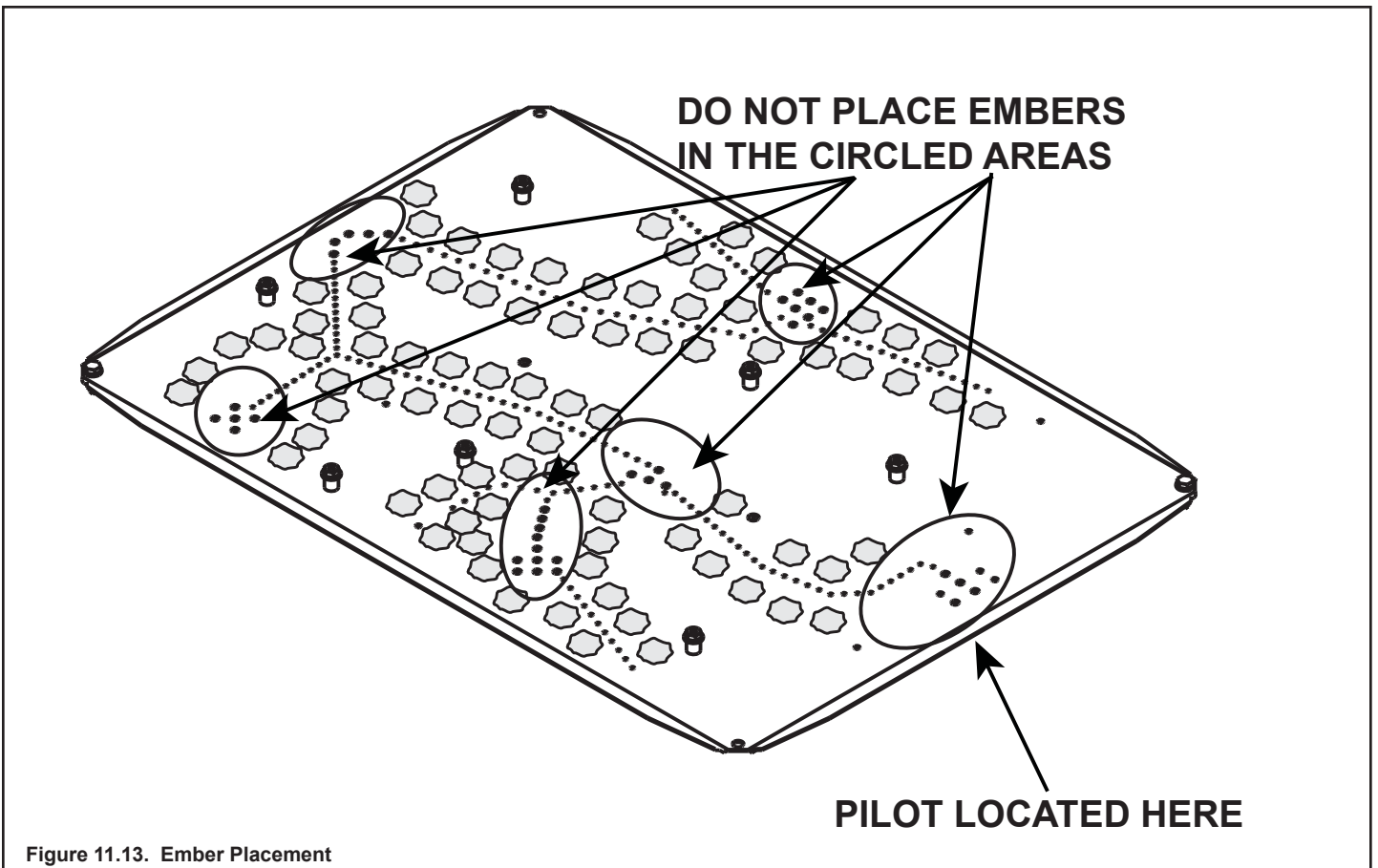


Figure 11.13. Ember Placement

E. Install the Log Assembly  
LOGS-2128

LOG PLACEMENT INSTRUCTIONS

**CAUTION: DO NOT reposition logs that have been factory installed!** Follow these instructions to position the logs that were packaged separately.

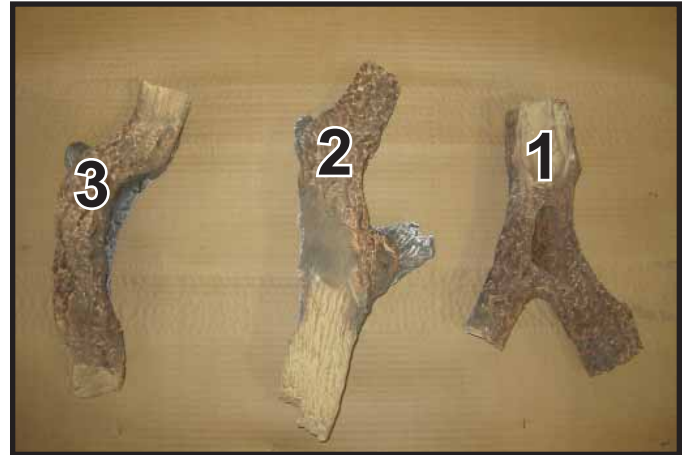


Figure 1. Log Assembly Location

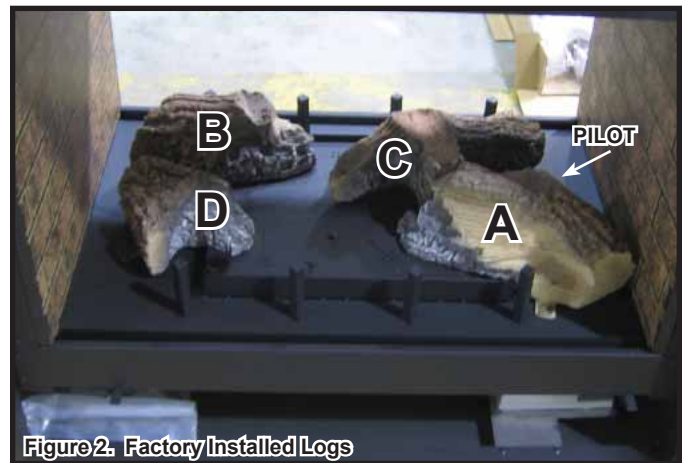


Figure 2. Factory Installed Logs

**STEP 1. CAUTION! Logs are fragile!** Carefully remove the logs and cardboard tray from the inside of the fireplace. See Figure 1. Remove the microfoam and inspect the logs for damage. Inspect the four factory installed logs for damage. Locate the pilot in order to verify your position in relation to the appliance. See Figure 2.

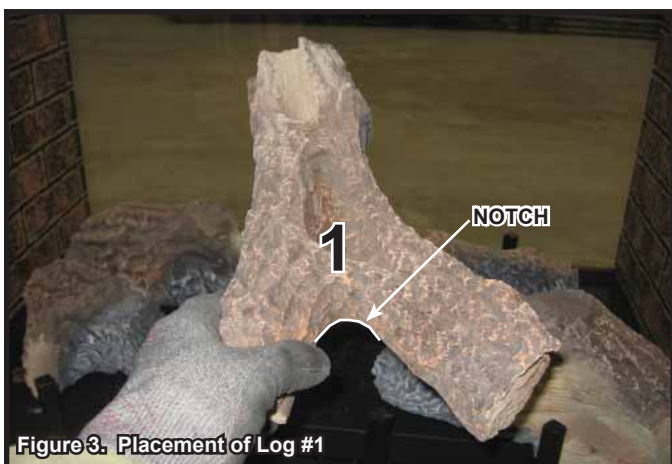


Figure 3. Placement of Log #1

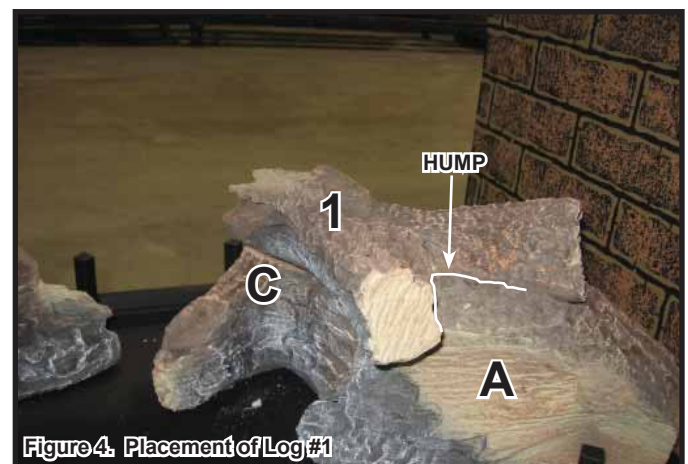
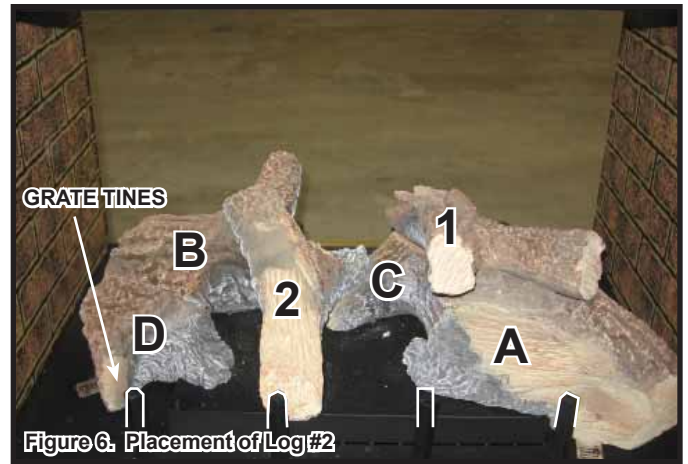
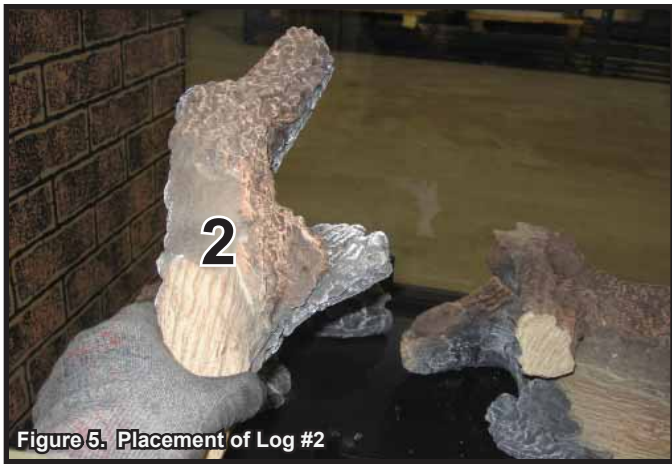
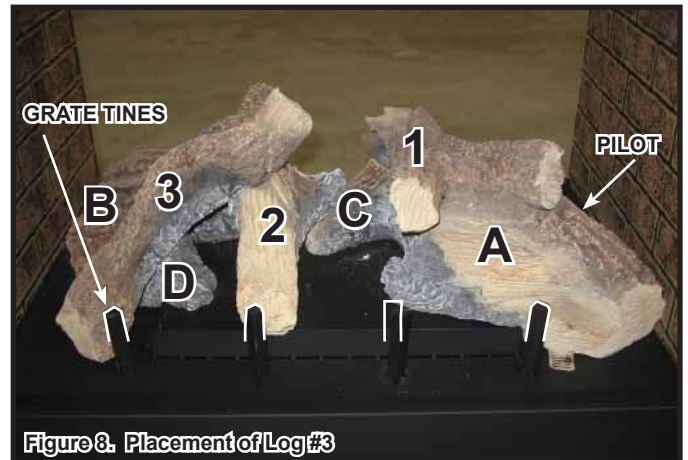
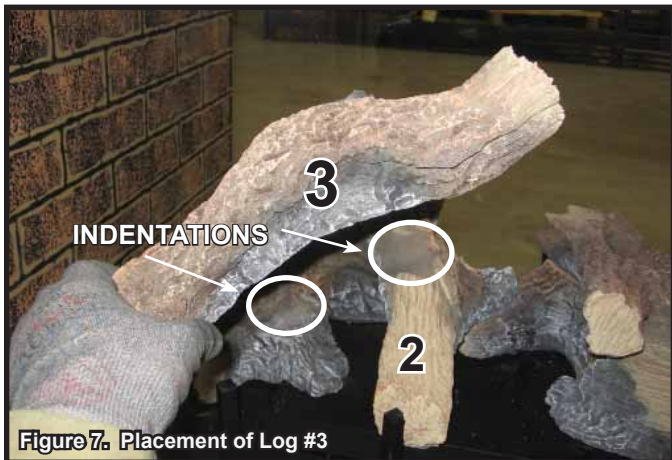


Figure 4. Placement of Log #1

**STEP 2. Log #1 (SRV2128-704):** Mate the notch on the end of log # 1 with the hump on top of log A. Set the other end of Log #1 onto the smooth area on top of Log C.



**STEP 3. Log #2 (SRV2128-705):** The Y-shaped end of log #2 should rest on log B and log C. The other end should come in contact with the second grate tine from the left. Mate the bottom of log # 2 with the notches on top of log B and the smooth area on top of the end of log C.



**STEP 4. Log #3 (SRV2128-707):** The bottom end of log #3 should come in contact with the far left grate tine. Mate the bottom of log # 3 with the indentations on Log D and the top of Log #2.

## F. Install Fixed Glass Assembly

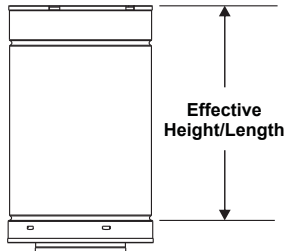
**WARNING! Risk of Asphyxiation!** Handle fixed glass assembly with care. Inspect the gasket to ensure it is undamaged and inspect the glass for cracks, chips or scratches.

- **DO NOT** strike, slam or scratch glass.
- **DO NOT** operate fireplace with glass removed, cracked, broken or scratched.
- Replace as a complete assembly.
- Replace the glass door on the appliance.
- Pull out the four glass latches and place in the grooves on the glass frame top and bottom.
- Make sure all sides are replaced properly.



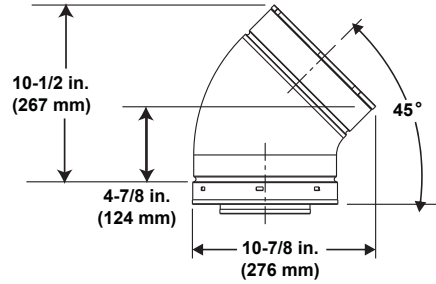
# 12 Reference Materials

## A. Vent Components Diagrams

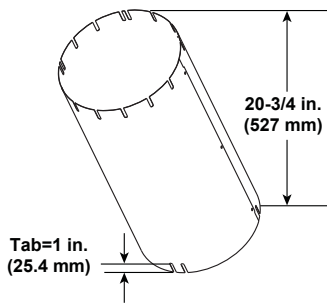


DVP Pipe (see chart)

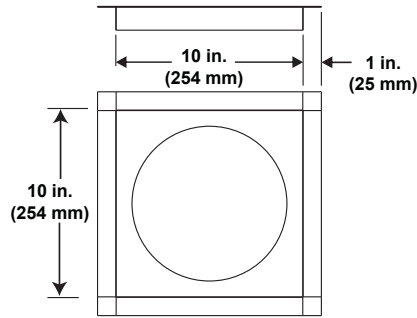
| Pipe   | Effective Length |             |
|--------|------------------|-------------|
|        | Inches           | Millimeters |
| DVP4   | 4                | 102         |
| DVP6   | 6                | 152         |
| DVP12  | 12               | 305         |
| DVP24  | 24               | 610         |
| DVP36  | 36               | 914         |
| DVP48  | 48               | 1219        |
| DVP6A  | 3 to 6           | 76 to 152   |
| DVP12A | 3 to 12          | 76 to 305   |



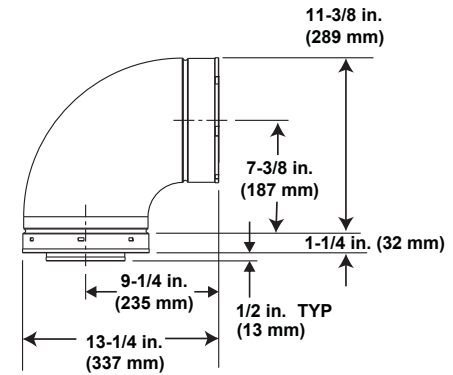
DVP45 (45° Elbow)



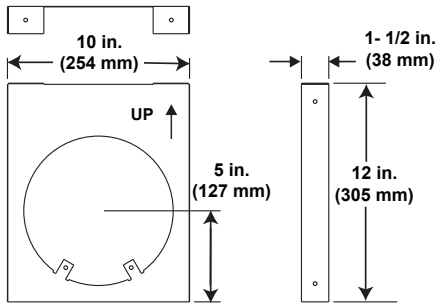
Finished Height: 19-3/4 in./502 mm  
UNIV-AS2 (Attic Insulation Shield)



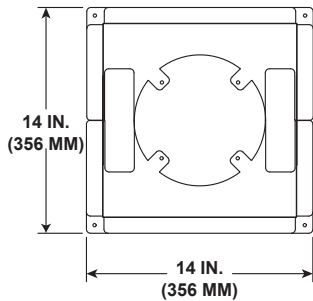
DVP-FS (Ceiling Firestop)



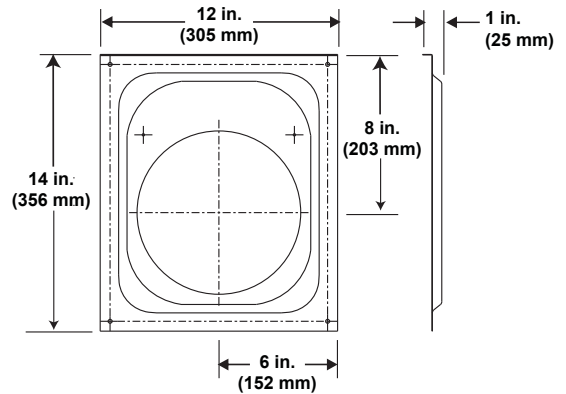
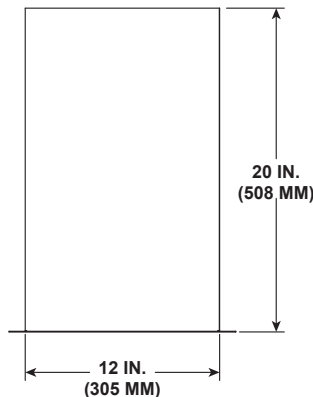
DVP90ST (90° Elbow)



DVP-HVS (Vent Support)



DVP-RDS  
ROOF DECK INSULATION SHIELD



DVP-WS (Wall Shield Firestop)

Figure 12.1 DVP Vent Components

## A. Vent Components Diagrams (continued)

Note: Heat shields MUST overlap by a minimum of 1-1/2 in. (38 mm). The heat shield is designed to be used on a wall 4 in. to 7-1/4 in. (102 mm to 184 mm) thick. If wall thickness is less than 4 in. (102 mm) the existing heat shields must be field trimmed. If wall thickness is greater than 7-1/4 in. (184 mm) a DVP-HSM-B will be required.

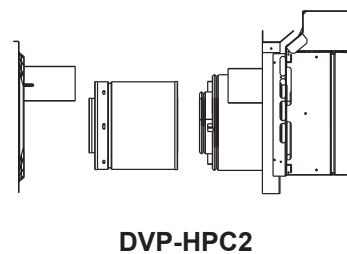
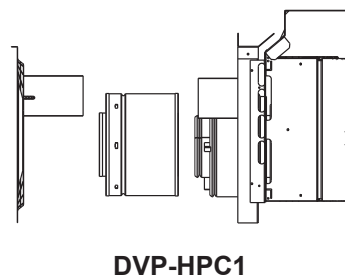
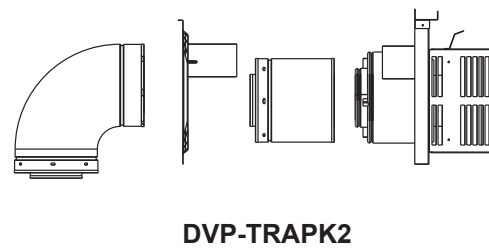
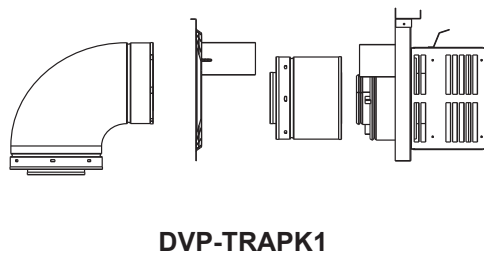
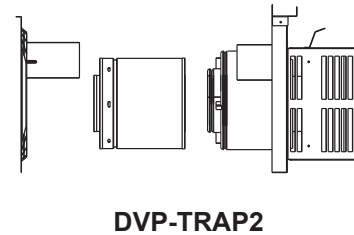
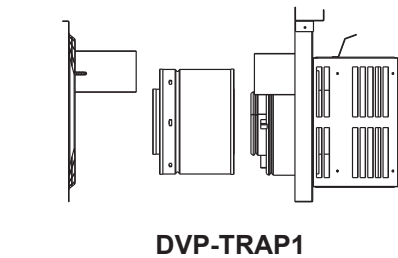
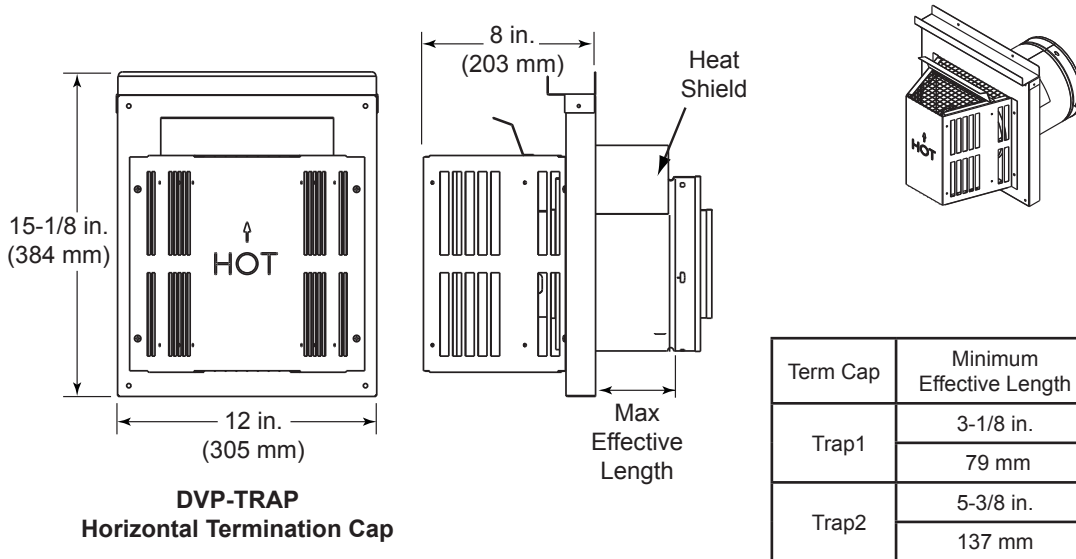
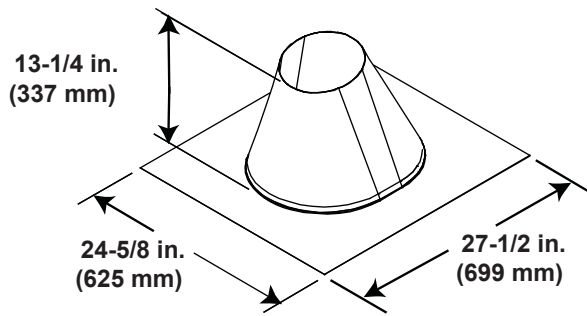
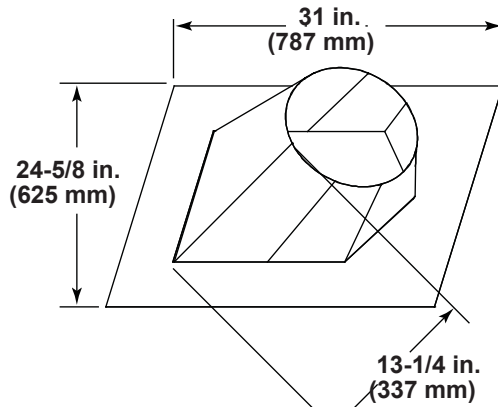


Figure 12.2 DVP Vent Components

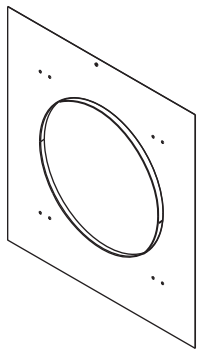
**A. Vent Components Diagrams (continued)**



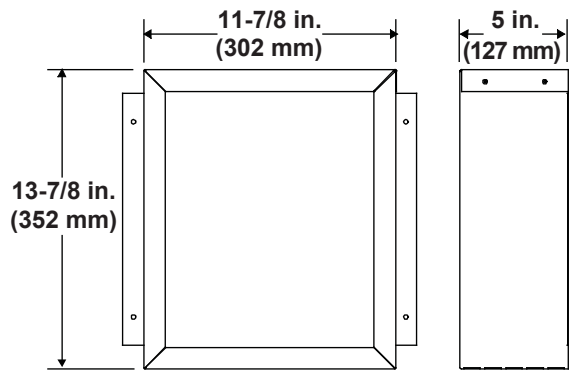
**RF6  
Roof Flashing**



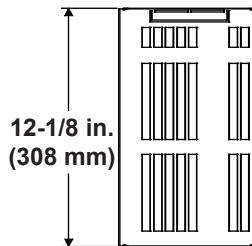
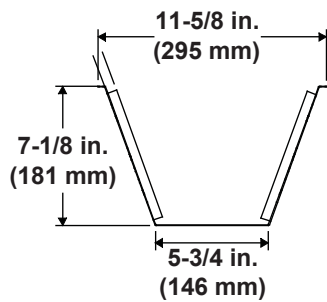
**RF12  
Roof Flashing**



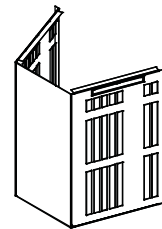
**DVP-TRAPFL  
Flashing**



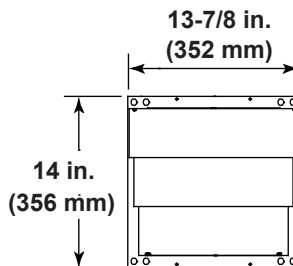
**DVP-BEK2  
DVP-HPC Cap Brick Extension**



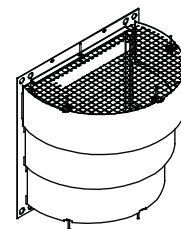
**COOL-ADDM  
Cap Shield**



**DVP-HSM-B  
Extended Heat Shield**

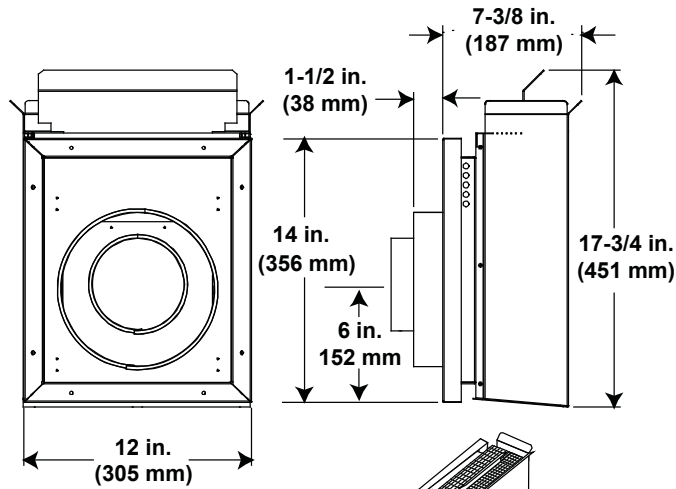


**DRC-RADIUS  
Cap Shield**

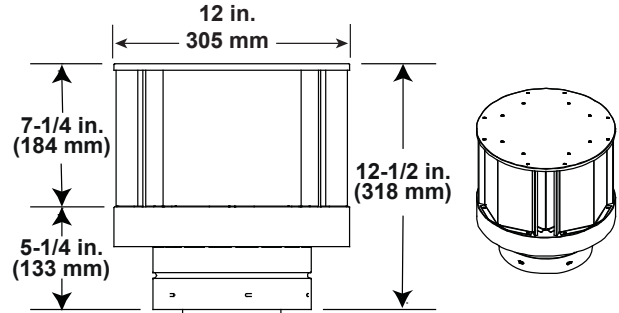


**Figure 12.3 DVP Vent Components**

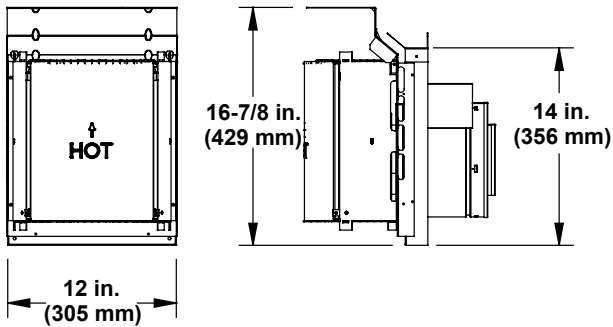
**A. Vent Components Diagrams (continued)**



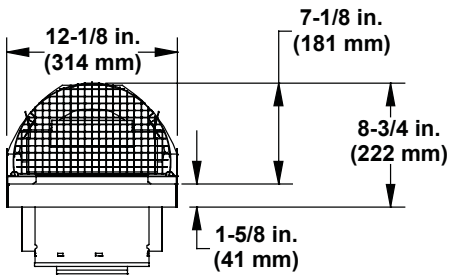
**DVP-TB1**  
Basement Vent Cap



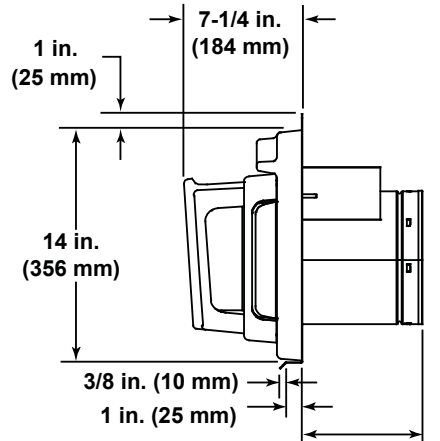
**DVP-TVHW**  
Vertical Termination Cap (Highwind)



**DVP-HPC**  
High Performance Cap



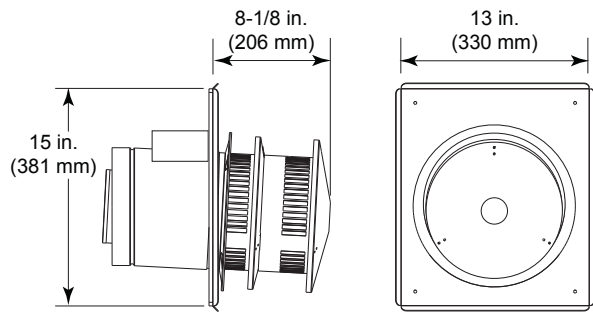
**DVP-FBHT**  
Fire Brick Termination Cap



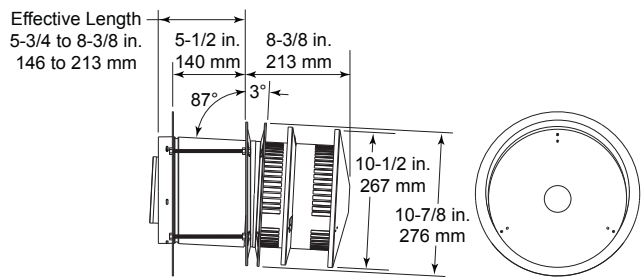
7-3/4 to 10-3/8 in.  
(197 to 264 mm)

Figure 12.4 DVP Vent Components

**A. Vent Components Diagrams (continued)**



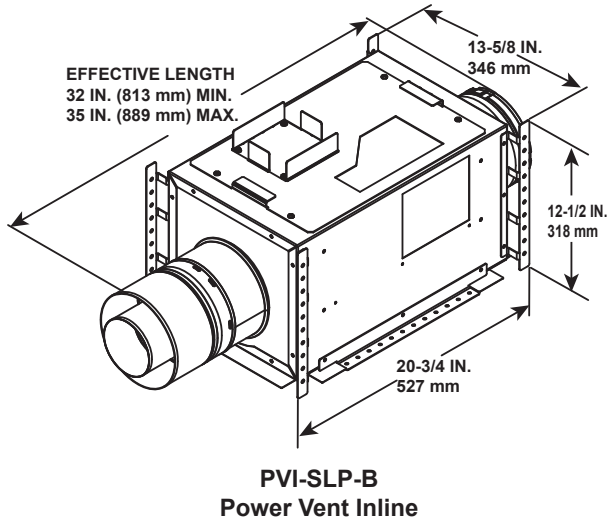
**DVP-HRC-SS**



**DVP-HRC-ZC-SS**

**Figure 12.5 Vent Components**

## A. Vent Components Diagrams (continued)



| Optional Wire Harness  |             |
|------------------------|-------------|
| DESCRIPTION            | PART NUMBER |
| 10 FT PV Wire Harness  | PVI-WH10    |
| 20 FT PV Wire Harness  | PVI-WH20    |
| 40 FT PV Wire Harness  | PVI-WH40    |
| 60 FT PV Wire Harness  | PVI-WH60    |
| 80 FT PV Wire Harness  | PVI-WH80    |
| 100 FT PV Wire Harness | PVI-WH100   |

**Note:** Wire harnesses required to power the PVI-SLP-B connect to the appliance and are ordered separately from PVI-SLP-B. Contact your dealer to order.

**Note:** Use only approved termination caps with the PVI-SLP-B.

**Note:** The PVI-SLP-B requires one of the following options to be installed on this appliance.

Option A: IFT-RC400 **OR**

Option B: IFT-RC150, IFT-ACM

These accessories are purchased separately from the PVI-SLP-B. Contact your dealer to order.

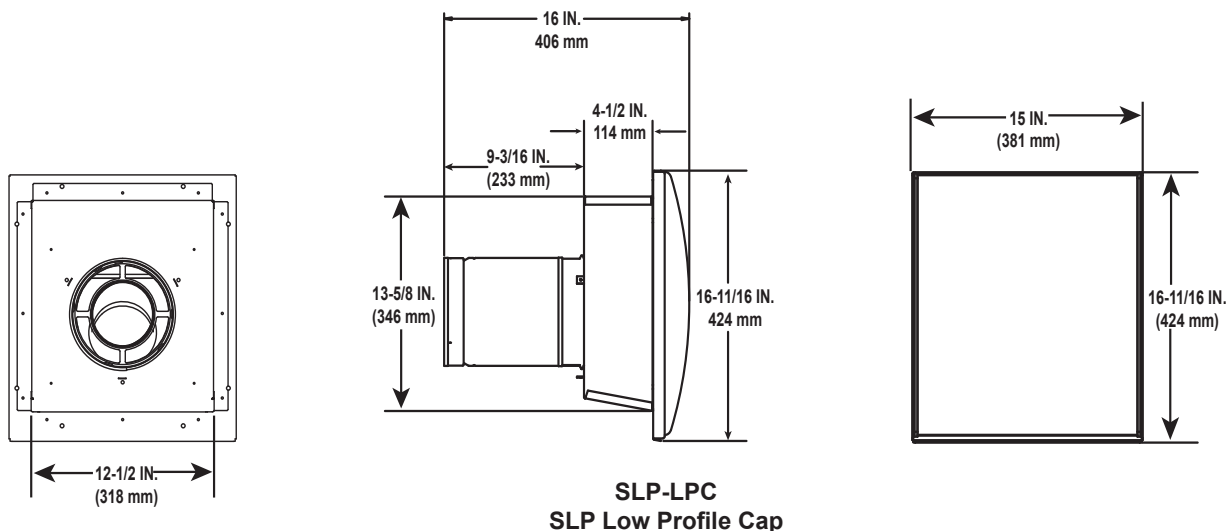
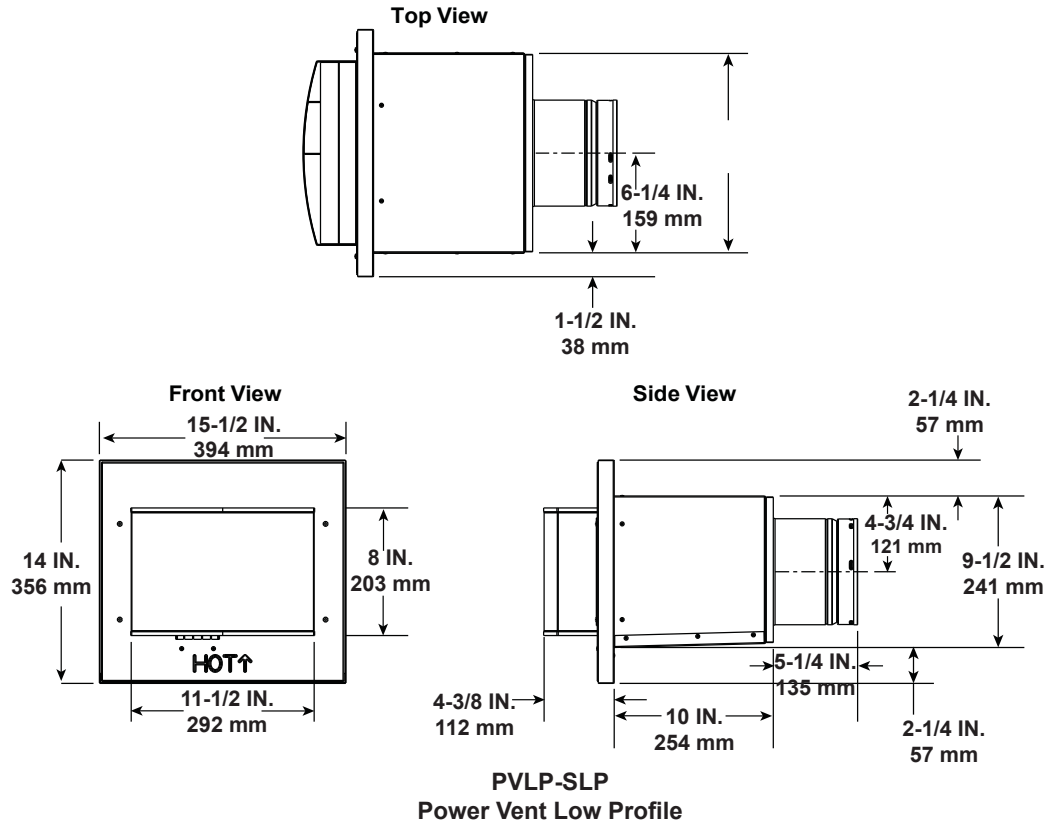


Figure 12.6 PVI-SLP-B Vent Components

## A. Vent Components Diagrams (continued)



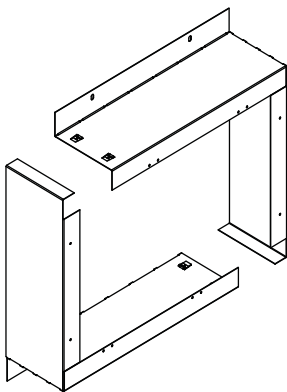
**Note:** Wire harnesses required to power the PVLP-SLP connect to the appliance and are ordered separately from PVLP-SLP. Contact your dealer to order.

**Note:** A PVLP-HS heat shield is available and sold separately. Use if the PVLP-SLP is installed in a high traffic area.

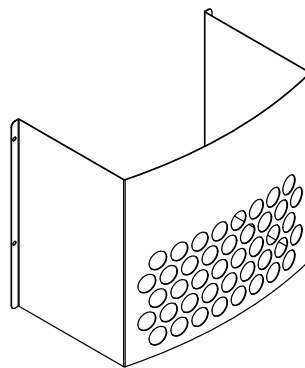
**Note:** The PVLP-SLP requires one of the following options to be installed on this appliance.

Option A: IFT-RC400 or Option B: IFT-RC150, IFT-ACM

Contact your dealer to order.



**PVLP-BEK  
Brick Kit**



**PVLP-HS  
Heat Shield**

| Required Wire Harness  |             |
|------------------------|-------------|
| DESCRIPTION            | PART NUMBER |
| 10 FT PV Wire Harness  | PVI-WH10    |
| 20 FT PV Wire Harness  | PVI-WH20    |
| 40 FT PV Wire Harness  | PVI-WH40    |
| 60 FT PV Wire Harness  | PVI-WH60    |
| 80 FT PV Wire Harness  | PVI-WH80    |
| 100 FT PV Wire Harness | PVI-WH100   |

Figure 12.7 PVLP-SLP Vent Components



## A. Vent Components Diagrams (continued)

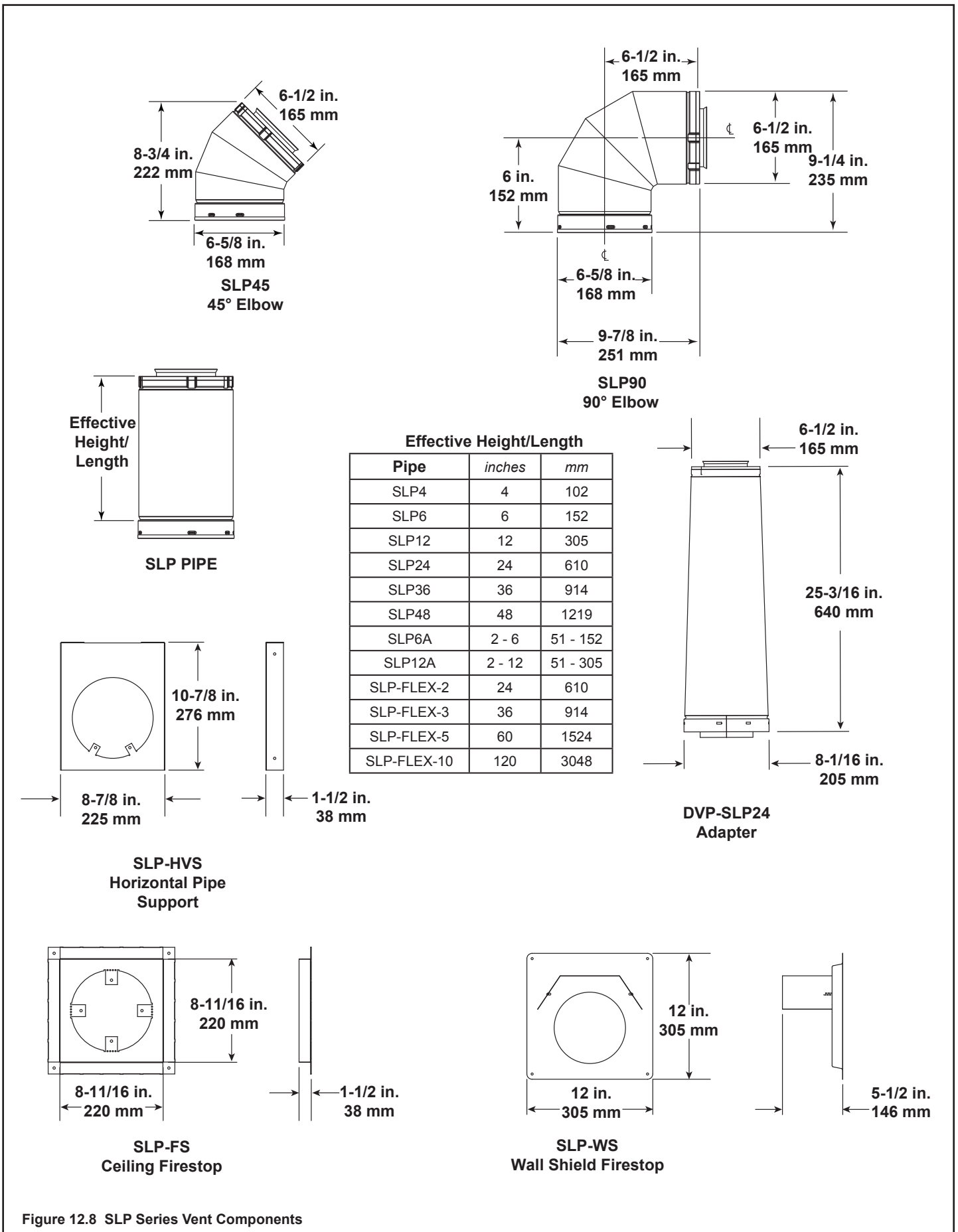
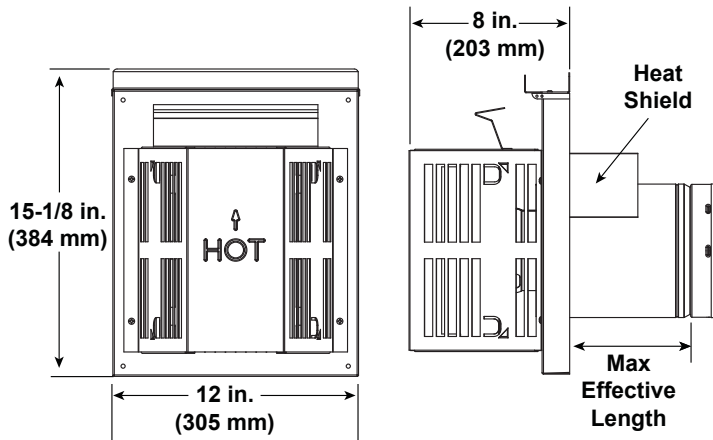


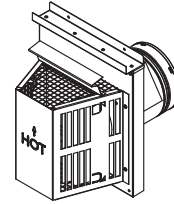
Figure 12.8 SLP Series Vent Components

## A. Vent Components Diagrams (continued)

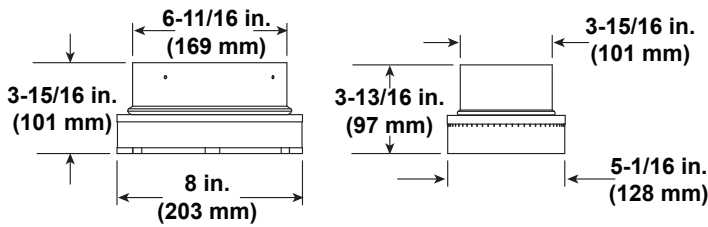
**Note: Heat shields MUST overlap by a minimum of 1-1/2 in. (38 mm). The heat shield is designed to be used on a wall 4 in. to 7-1/4 in. (102 mm to 184 mm) thick. If wall thickness is less than 4 in. (102 mm) the existing heat shields must be field trimmed. If wall thickness is greater than 7-1/4 in. (184 mm) a DVP-HSM-B will be required.**



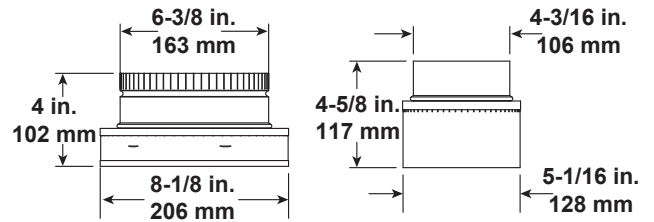
**SLP-TRAP**  
Horizontal Termination Cap



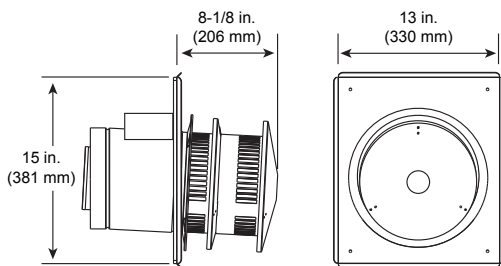
| Term Cap | Minimum Effective Length | Maximum Effective Length |
|----------|--------------------------|--------------------------|
| Trap1    | 3-1/8 in.                | 4-3/4 in.                |
|          | 79 mm                    | 121 mm                   |
| Trap2    | 5-1/4 in.                | 9-1/4 in.                |
|          | 133 mm                   | 235 mm                   |



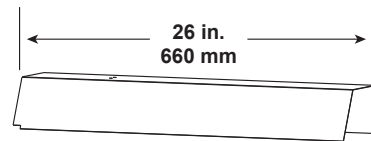
**SL-2DVP**  
Adapter



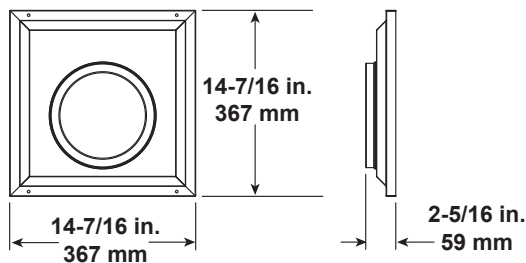
**DVP-2SL**  
Adapter



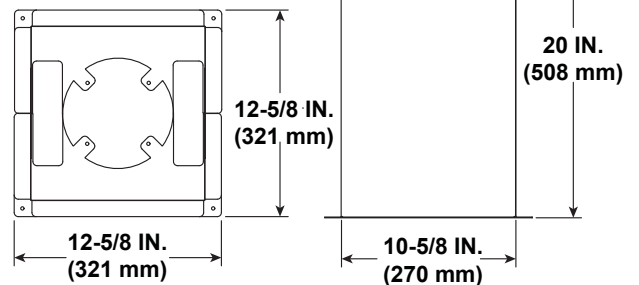
**SLP-HRC-SS**  
Horizontal Termination Cap



**DVP-HSM-B**  
Extended Heat Shield



**SLP-WT-BK**  
Wall Thimble-Black



**SLP-RDS**  
ROOF DECK INSULATION SHIELD

Figure 12.9 SLP Series Vent Components

## A. Vent Components Diagrams (continued)

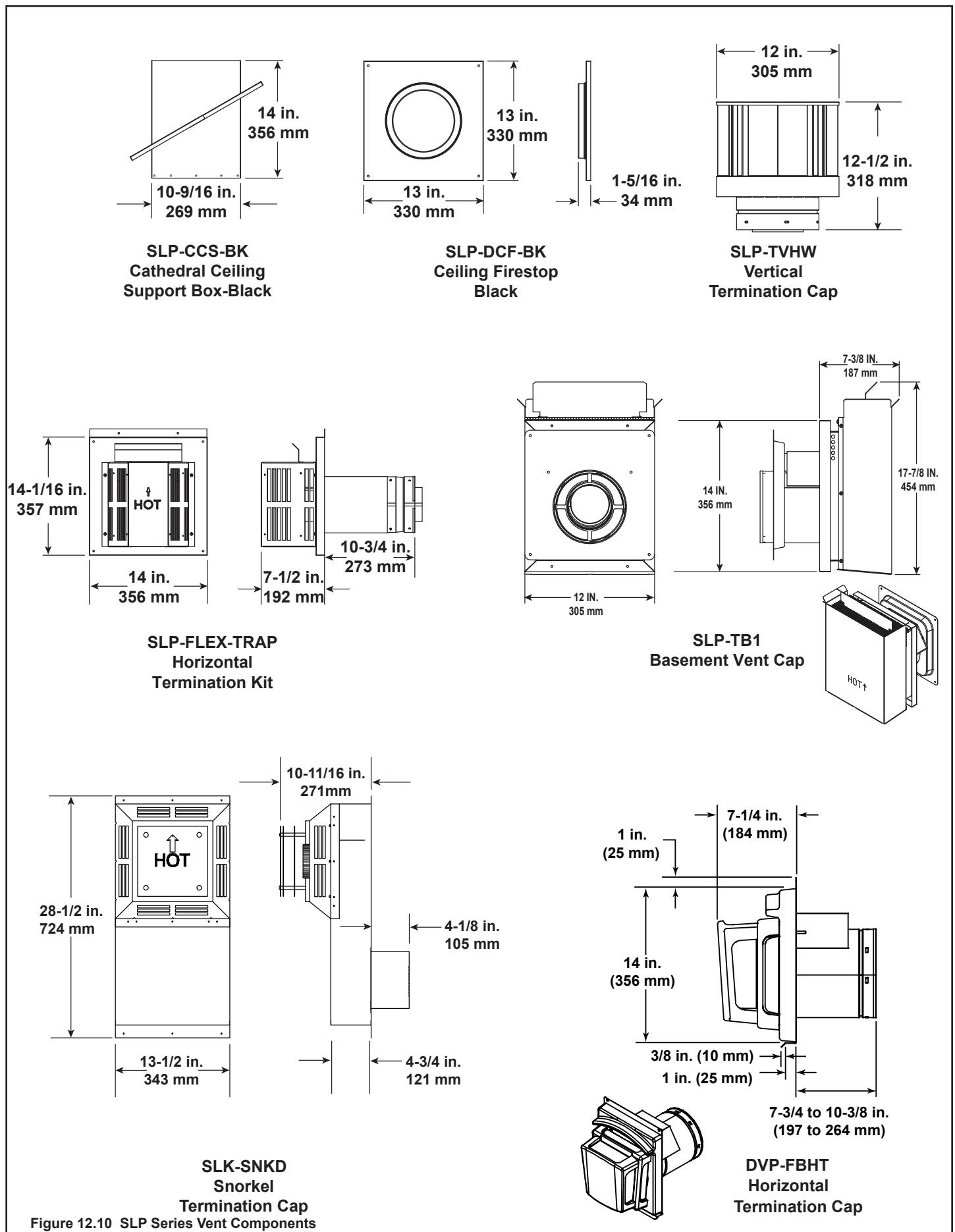
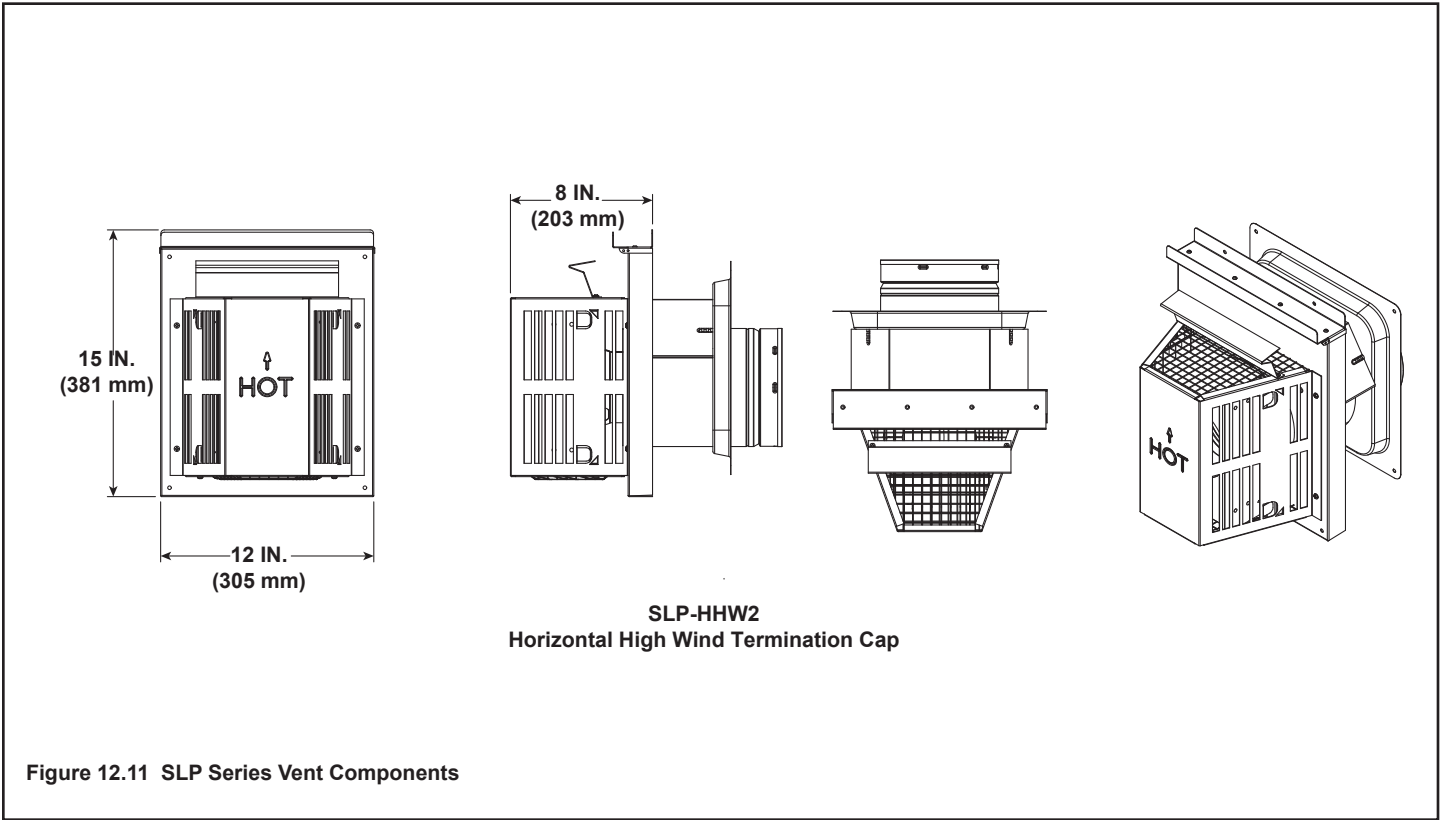


Figure 12.10 SLP Series Vent Components

**A. Vent Components Diagrams (continued)**



## **B. Accessories**

### **Remote Controls, Wall Controls and Wall**

#### **Switches**

Follow the instructions supplied with the control installed to operate your fireplace:

For safety:

- Install a switch lock or a wall/remote control with child protection lockout feature.
- Keep remote controls out of reach of children.

See your dealer if you have questions.

#### **Optional Fan**

Follow the instructions supplied with the fan kit to operate your fan. See your dealer if you have questions.

Heat & Glo, a brand of Hearth & Home Technologies  
7571 215<sup>th</sup> Street West, Lakeville, MN 55044  
[www.heatnglo.com](http://www.heatnglo.com)

Please contact your Heat & Glo dealer with any questions or concerns.  
For the location of your nearest Heat & Glo dealer,  
please visit [www.heatnglo.com](http://www.heatnglo.com).

*Printed in U.S.A. - Copyright 2017*