



**heatilator**<sup>®</sup>  
*The first name in fireplaces*

**Wood Multi-Sided Series**  
wood-burning fireplaces

# Wood Multi-Sided Series

wood-burning fireplaces



**Cover:** Peninsula model shown with glass doors  
**Above:** Corner model shown with optional DM doors

## Endless Possibilities

Enjoy a roaring fire—from more places. The Multi-Sided series provides endless possibilities for adding a Heatilator® fireplace to more spaces. Extend the warmth and ambiance with corner, see-through and three-sided models. Make each your own with multiple finishing options.

Compact footprints and flexible venting options highlight the versatility of this series. Unique right or left-facing installation options provide elegant design upgrades. Experience the power of fire in more ways.

- Corner, see-through and peninsula models
- Authentic masonry appearances
- Clean face design
- Multiple finishing options
- Outside air kit standard in see-through and peninsula models; optional in corner models
- A hearth extension is required
- Tested and listed to UL standards





**Above:** See-through model shown with Plymouth mantel and beige marble

## Options



DM Bi-Fold Glass Doors - Available with black or stainless steel trim



Black



Stainless Steel



Gas Logs

## Options Not Pictured

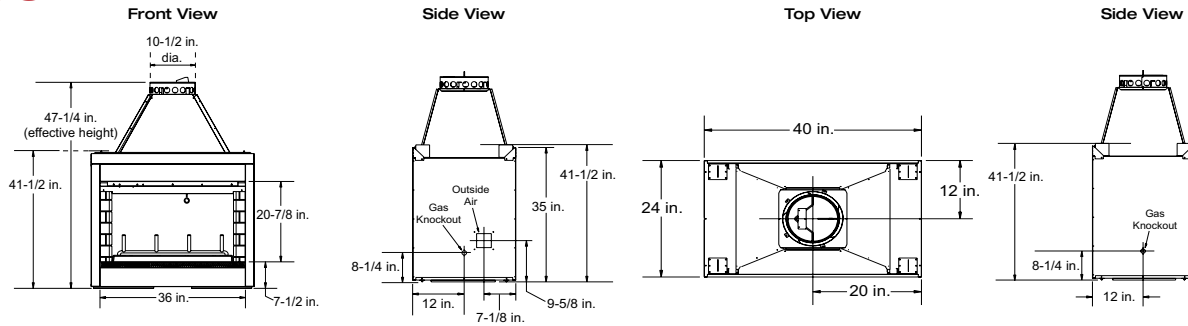
Remote Controls (for gas logs) | Outside Air Kit (for corner units) | Chimney Air Kit | Mantels and Surrounds

## Models Available

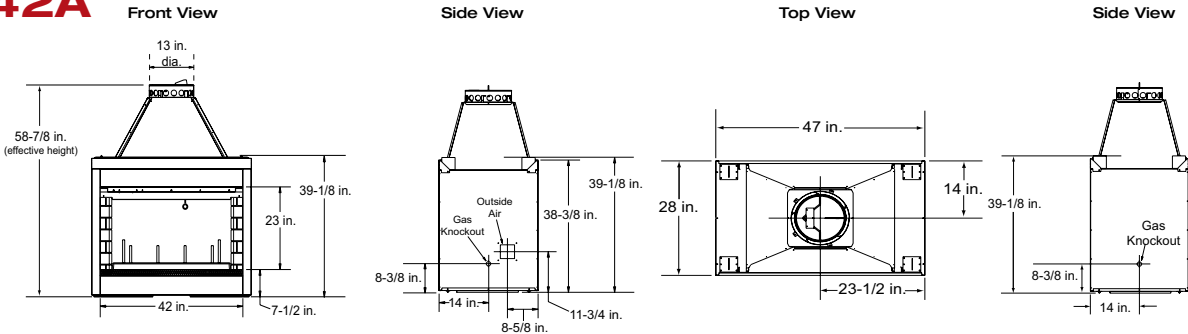
CONFIGURATION	MODEL	HEAT	VIEWING WIDTH	VENTING	OUTSIDE AIR
See-through	ST36D or ST42A	Radiant	36" & 42"	SL300 or SL1100 Series	Standard
Peninsula	FL92	Radiant	36"	SL1100 Series	Standard
Left or Right Corner	CL36D or CR36D	Radiant	34"	SL300 Series	Optional

# Technical Specifications

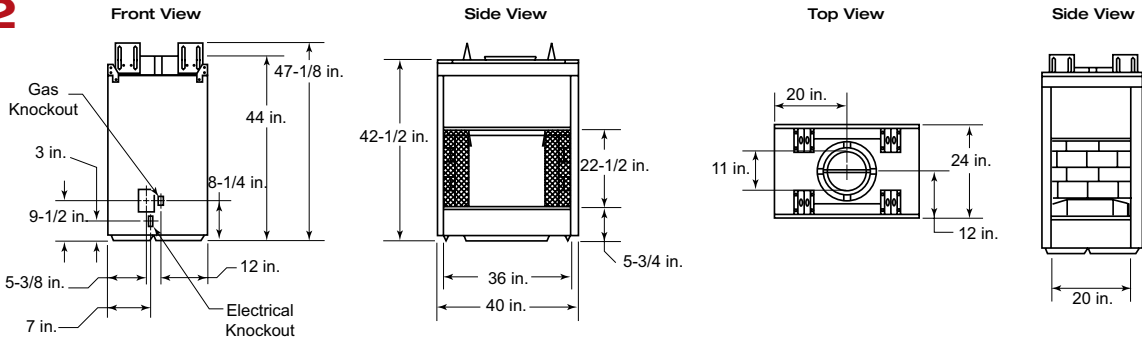
## ST36D



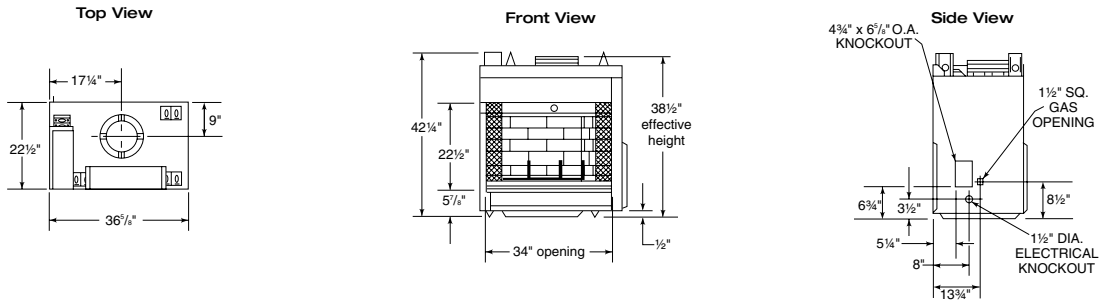
## ST42A



## FL92



## CL36D & CR36D



Available From

**heatilator**  
The first name in fireplaces

a brand of  
Hearth & Home Technologies®

1915 West Saunders Street  
Mt. Pleasant, Iowa 52641  
800-927-6841 | heatilator.com

facebook.com/Heatilator

twitter.com/Heatilator

youtube.com/HeatilatorFireplaces

HTL-1023U-0813

### Limited Lifetime Warranty\*

The strongest in the industry, Heatilator provides a limited lifetime warranty on the most important aspects: firebox and heat exchanger.

\*For full warranty details go to [heatilator.com](http://heatilator.com).

The information provided in this literature is for planning purposes only and subject to change. Please consult the installation manual for actual installation. Actual product appearance may differ from product images.

Fireplace glass and other surfaces get extremely HOT and can cause severe burns if touched. Do not remove the protective safety screen from the front of the glass. Keep a safe distance away. To learn more visit: [www.heatilator.com/fireplacesafety](http://www.heatilator.com/fireplacesafety).

