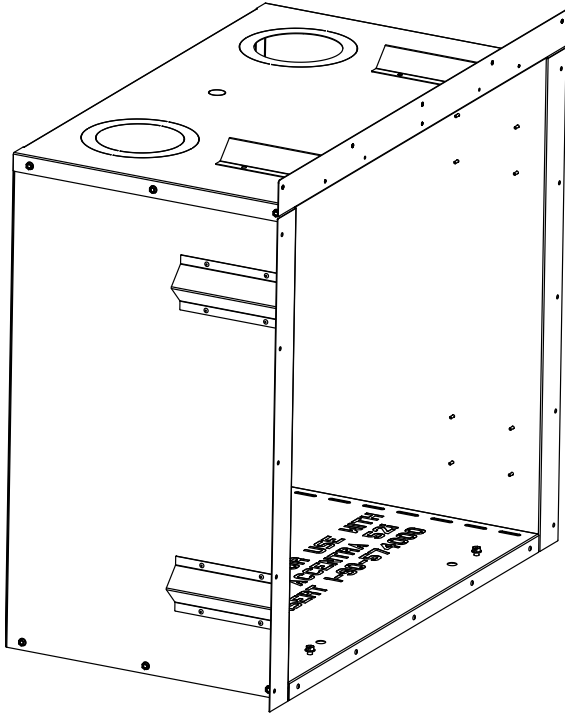


Accentra 52i Pellet Insert Zero Clearance Cabinet

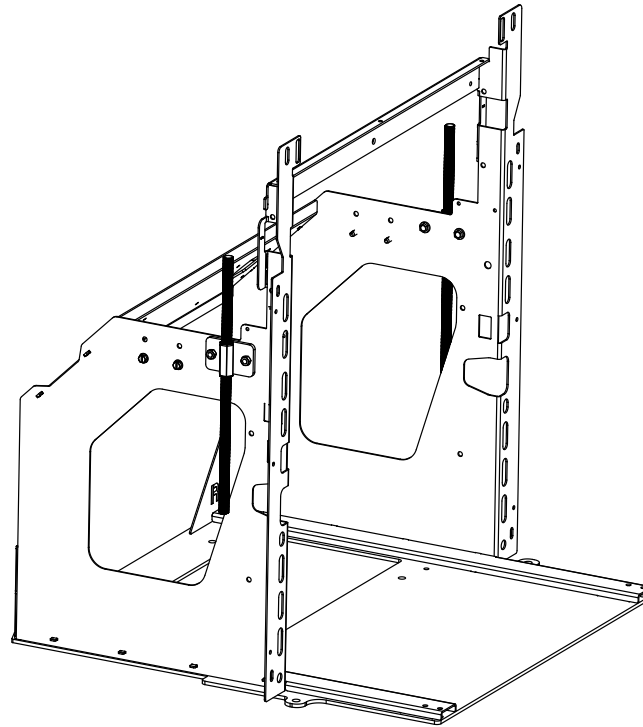
Part #1-00-574323

HARMAN[®]
BUILT TO A STANDARD, NOT A PRICE

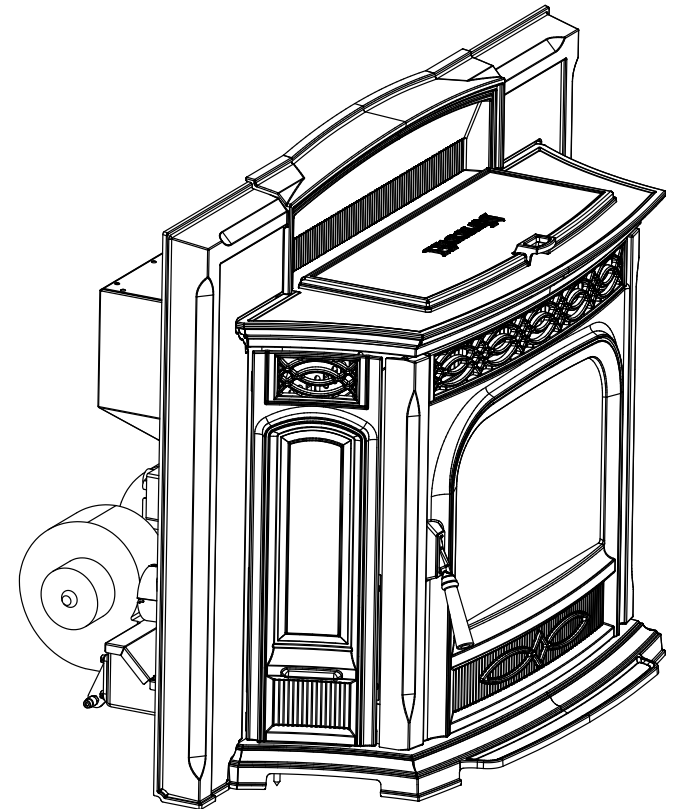
Accentra 52i Pellet Insert ZC Cabinet



Accentra 52i Pellet Insert Mounting Frame



Accentra 52i Pellet Insert



Accentra 52i Pellet Insert Zero Clearance Cabinet

Part #1-00-574323

HARMAN[®]
BUILT TO A STANDARD, NOT A PRICE

Contents of Kit;

Cabinet components-

- 1- Top Panel
- 1- Bottom Panel
- 2- Side Panels
- 1- Rear Panel

- 32- #10 X 3/4" Tek Screws (Self-Tapping)
- 4- 1/4-20 x 5/8 Thread Cutters

Tools Needed;

- Cordless Drill or Screw gun
- 5/16" Driver Bit
- 3/8" Driver Bit

CAUTION! Use care when installing Tek screws, do not strip the holes.

- Begin with the bottom panel lying flat on the floor or workbench. Place it with the writing facing upward as shown.
- Stand a side panel up to the right or left side of the bottom. Notice the bend at the rear of the cabinet will make the corner and at the front it will be bent outward to make the facing flange. Line up the holes and secure the side panel to the bottom with (3) Tek screws. Repeat for the opposite side. Figure 1.

NOTE: Only install 3 Tek screws.

- The top panel can now be put into place, with the bend going out over the side panels. Align the holes and secure with (6) Tek screws. Figure 2.
- Stand the rear panel up to the rear of the cabinet making sure the holes on the edge of the panel line up with the holes from the side panels and top. Secure the rear panel to the outside of the cabinet using the remaining (20) Tek screws. Figure 3.

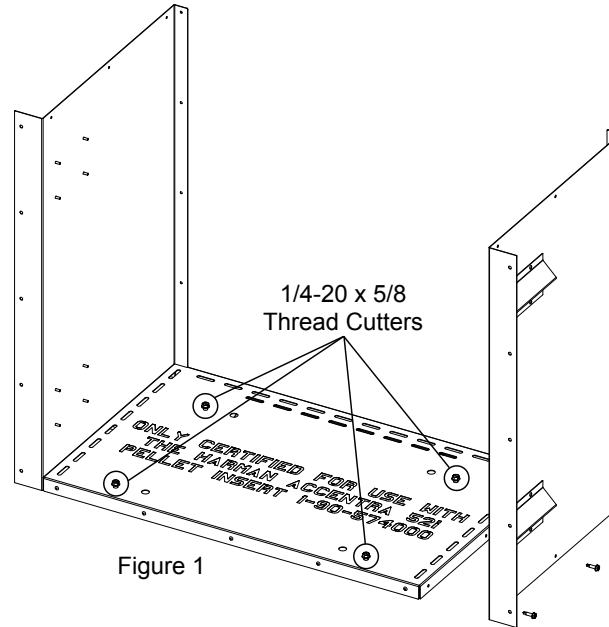


Figure 1

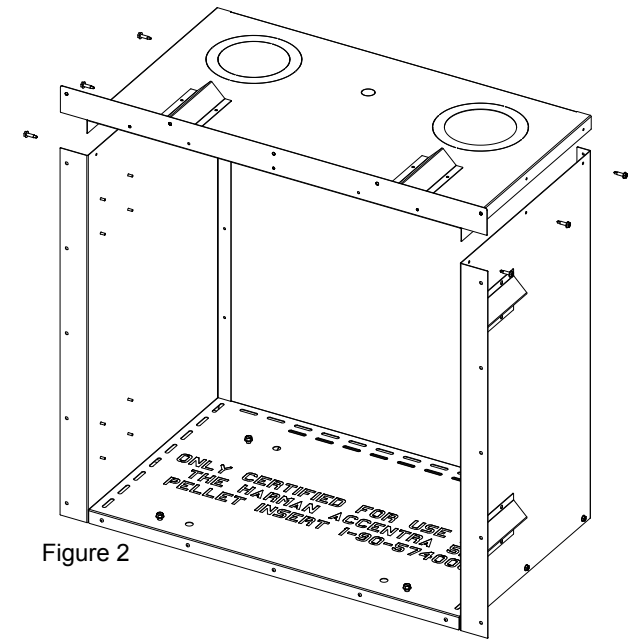


Figure 2

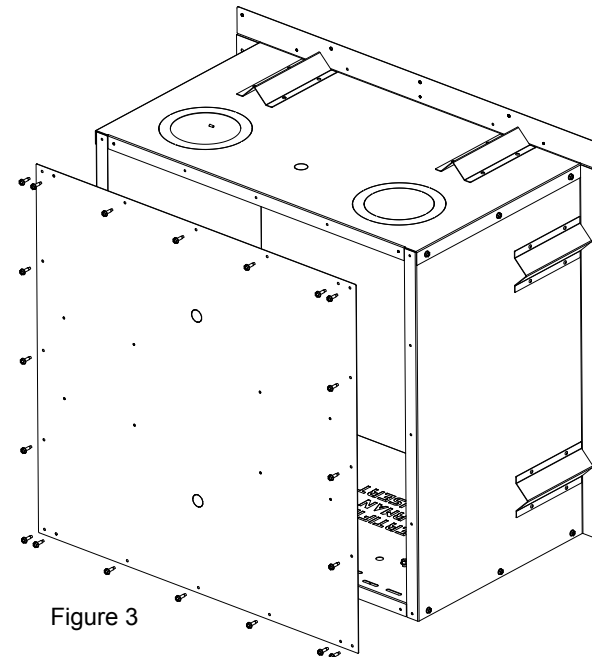


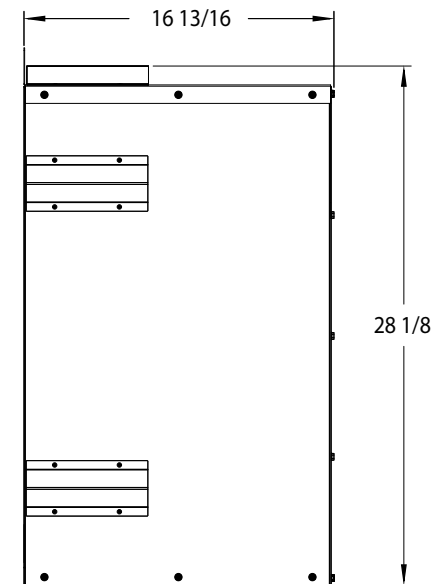
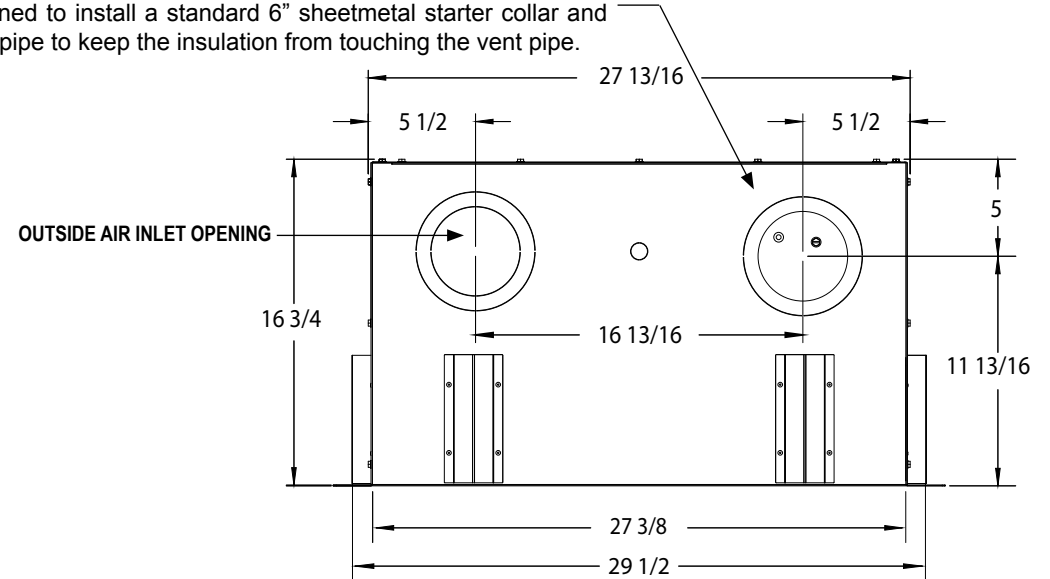
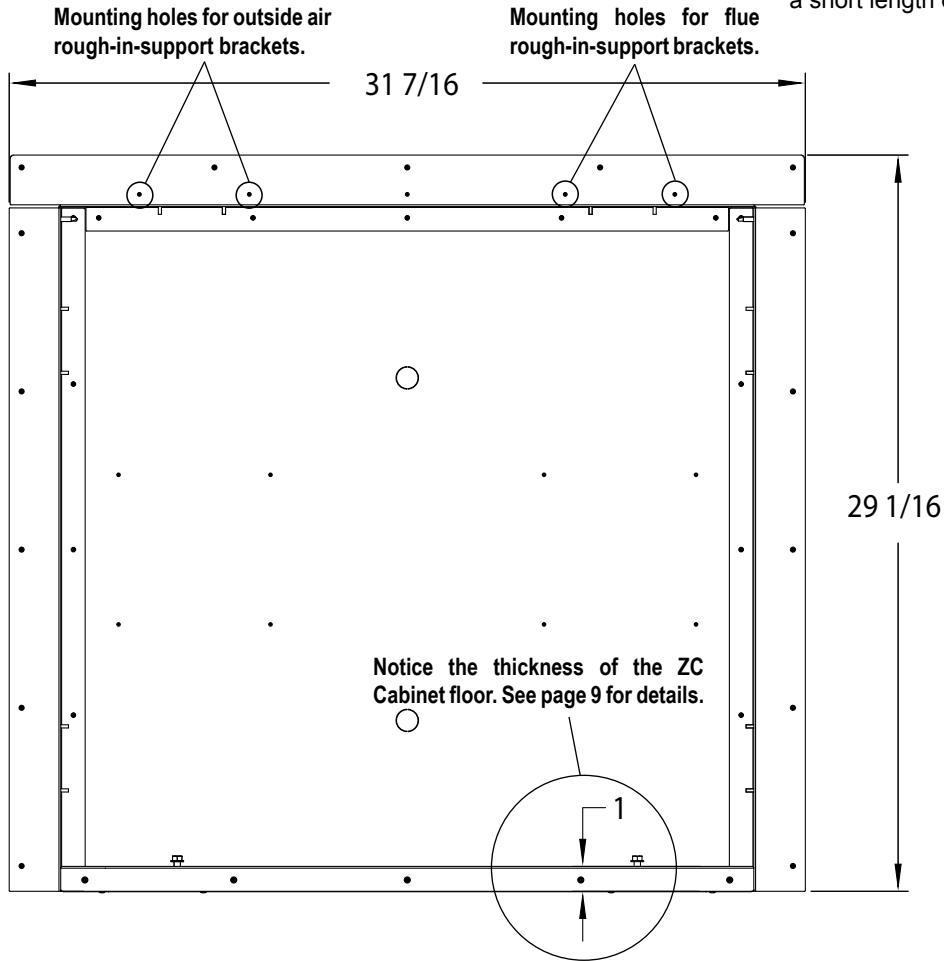
Figure 3

Accentra 52i Pellet Insert Zero Clearance Cabinet

Part #1-00-574323

HARMAN[®]
BUILT TO A STANDARD, NOT A PRICE

NOTE: When Fiberglass insulation is placed directly on top of the ZC Cabinet it should not touch the pipe. The outer ring knockout of the flue pipe opening is designed to install a standard 6" sheetmetal starter collar and a short length of pipe to keep the insulation from touching the vent pipe.



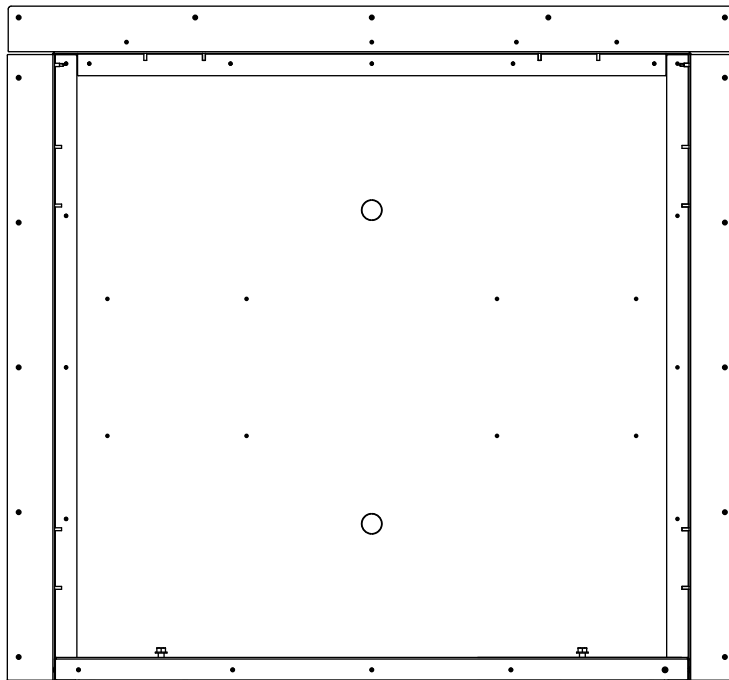
Accentra 52i Pellet Insert Zero Clearance Cabinet

Part #1-00-574323

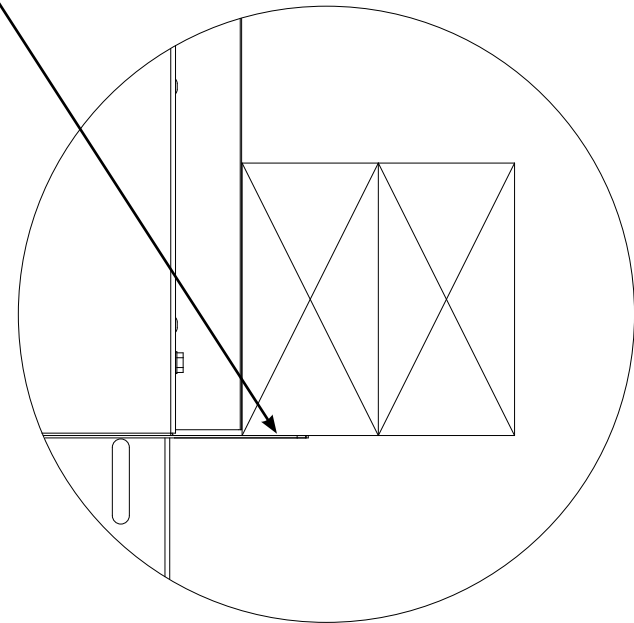
The finished face of the fireplace facade
"MUST" be flush with the ZC Cabinet
front face when completed.

NOTE: See the following pages
for rough-in instructions for other
facing materials.

The flanges ARE NOT designed to support the weight of the cabinet and the Accentra Insert. They are only to secure cabinet to the wall framing. Adequate framing under the hearth and ZC cabinet MUST be provided.



ZC Cabinet rough-in flanges

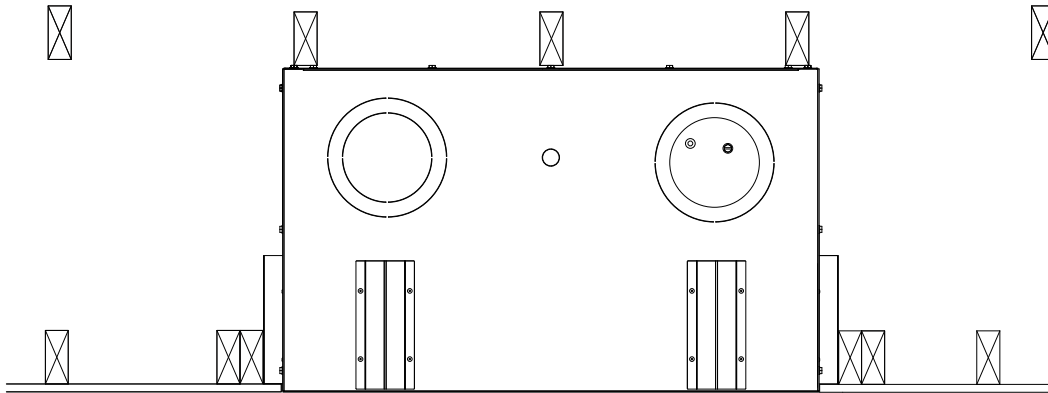


Accentra 52i Pellet Insert Zero Clearance Cabinet

Part #1-00-574323

HARMAN[®]
BUILT TO A STANDARD, NOT A PRICE

Caution should be taken NOT TO HAVE a stud within 5" of the center line of the flue pipe. (Use PL Vent Pipe ONLY)
This should allow room for any PL Vent certified wall pass through.



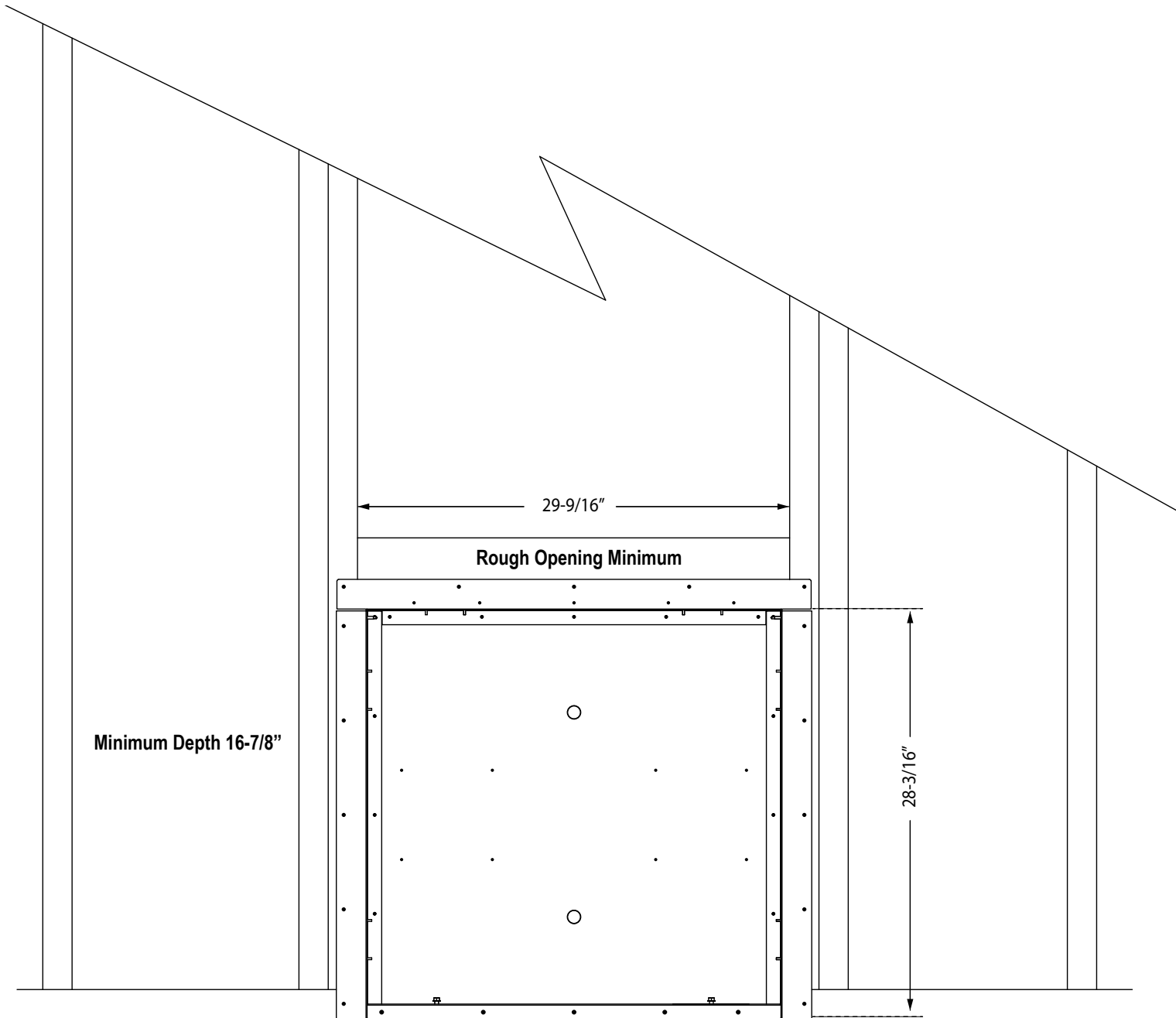
The finished face of the fireplace facade, "MUST" be flush with the ZC Cabinet front face when completed.

NOTE: When fiberglass insulation is placed directly on top of the ZC Cabinet it should not touch the vent pipe. The outer ring knock out of the flue pipe opening is designed to install a standard 6" sheet metal starter collar and a short length of pipe to keep the insulation from touching the vent pipe.

NOTE: See following pages for rough-in instructions for other facing materials.

Accentra 52i Pellet Insert Zero Clearance Cabinet

Part #1-00-574323



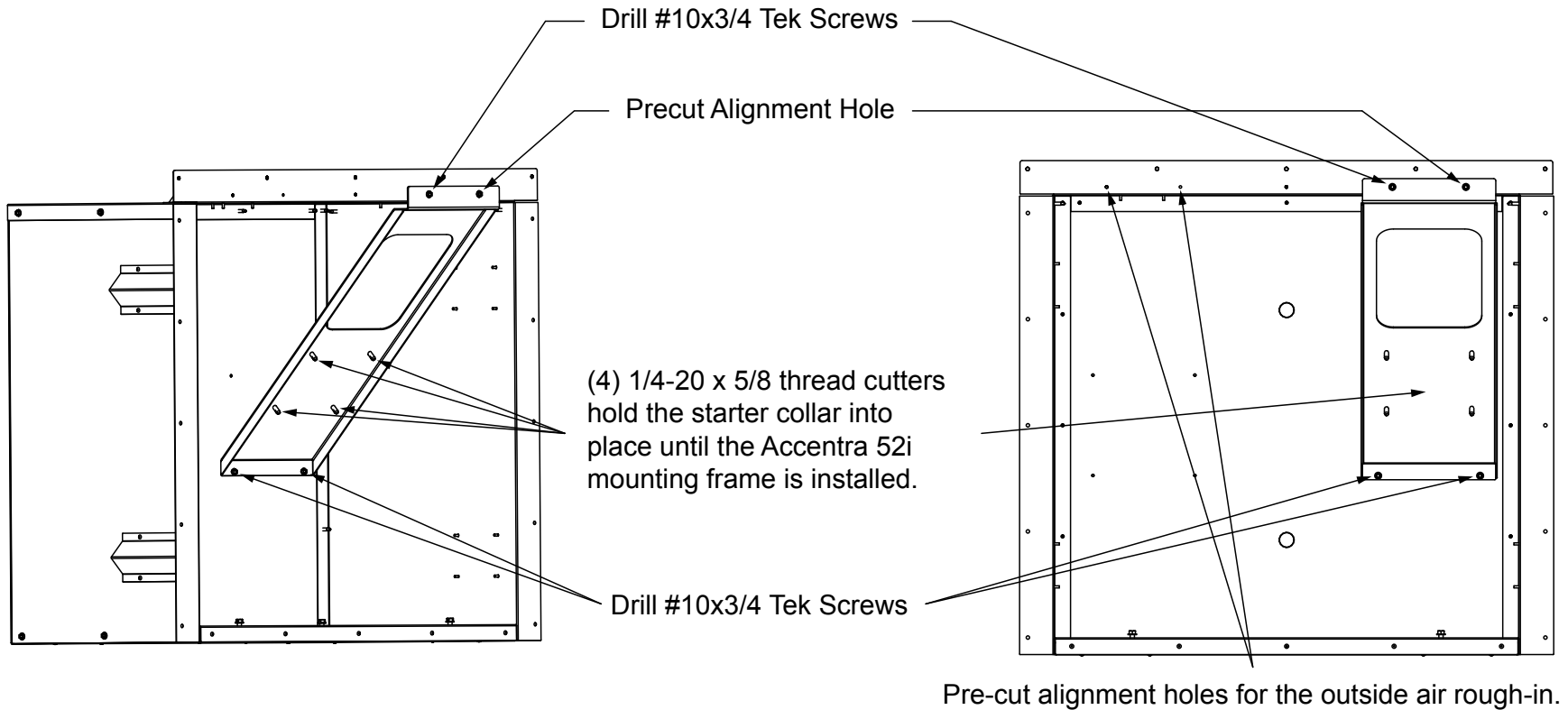
Accentra 52i Pellet Insert Zero Clearance Cabinet Part #1-00-574323



Flue Pipe Rough-in Support Kit #1-00-574246

Harman® Vent Pipe Stub for 3" PL Vent Pipe #1-00-674039

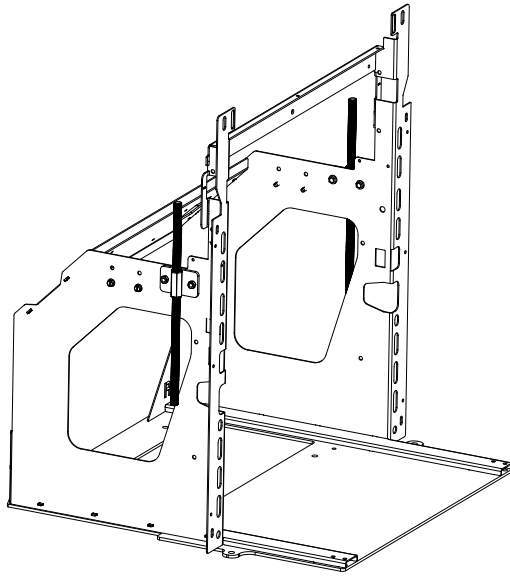
Harman® Vent Pipe Stub for 4" PL Vent Pipe #1-00-574034



A second rough-in support #1-00-574246 is used for the outside air rough in. The 3" flex pipe starter stub is part of kit #1-00-674039.

Accentra 52i Pellet Insert Zero Clearance Cabinet

Part #1-00-574323

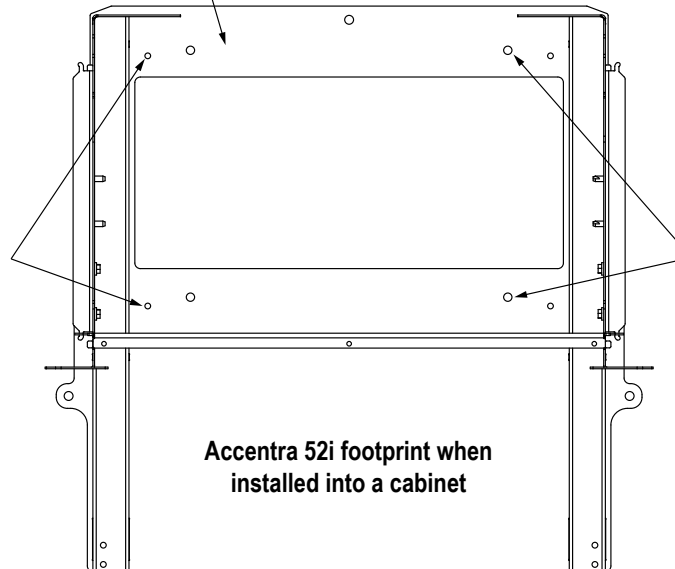
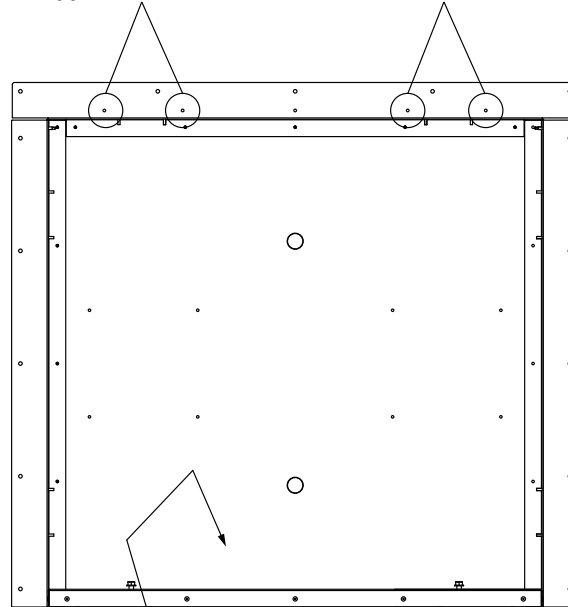


Accin 52i Mounting Frame

There are 4 holes located in the bottom of the cabinet that match the holes in the mounting frame of the insert. They are to be used to secure the insert mounting frame into the cabinet after rough-in has been complete.

Mounting holes for outside air rough-in-support brackets.

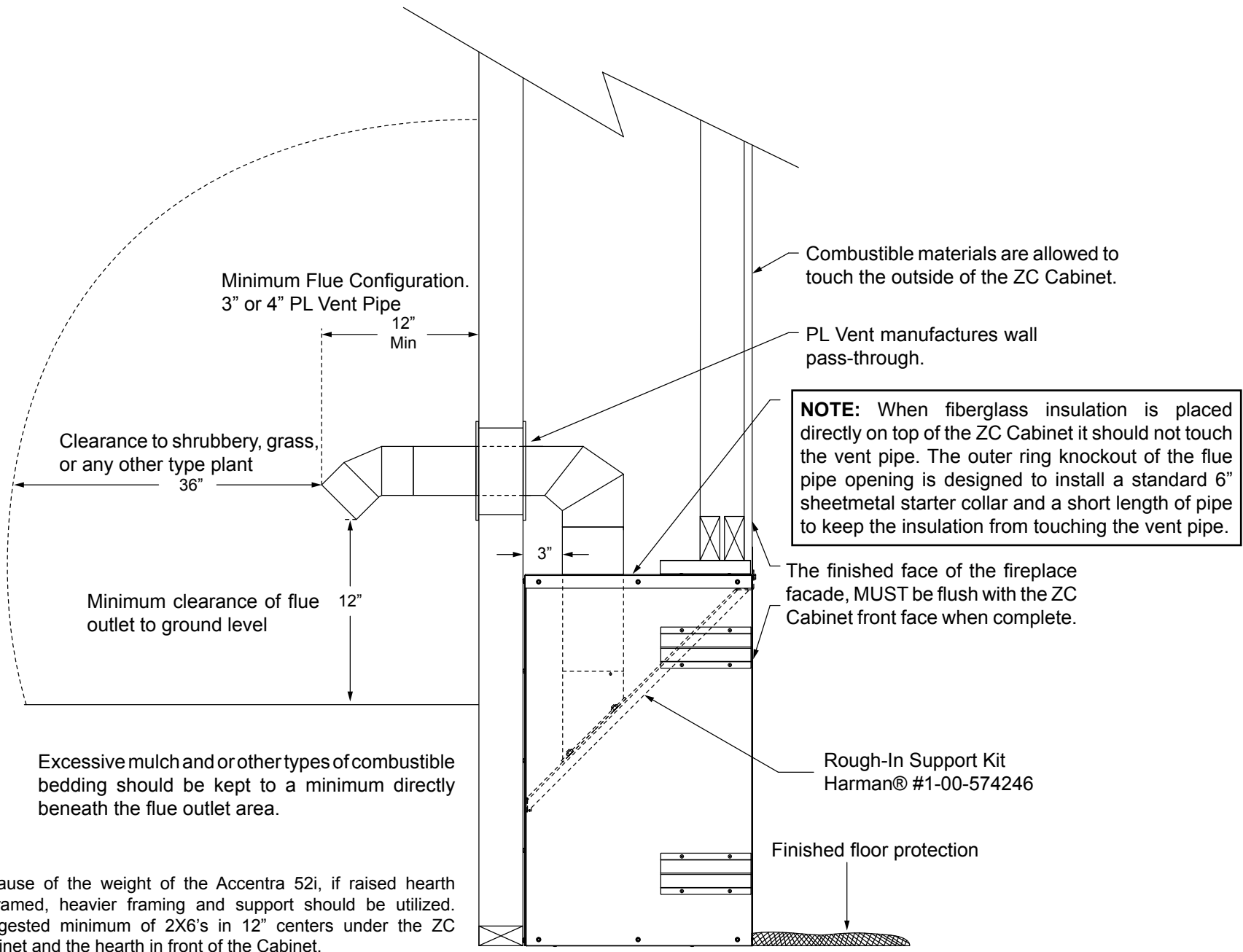
Mounting holes for flue rough-in-support brackets.



There are 4 cabinet mounting holes in the bottom that go all the way through the base of the cabinet. These holes allow the installer to secure the cabinet to the hearth sub framing.

Accentra 52i Pellet Insert Zero Clearance Cabinet

Part #1-00-574323

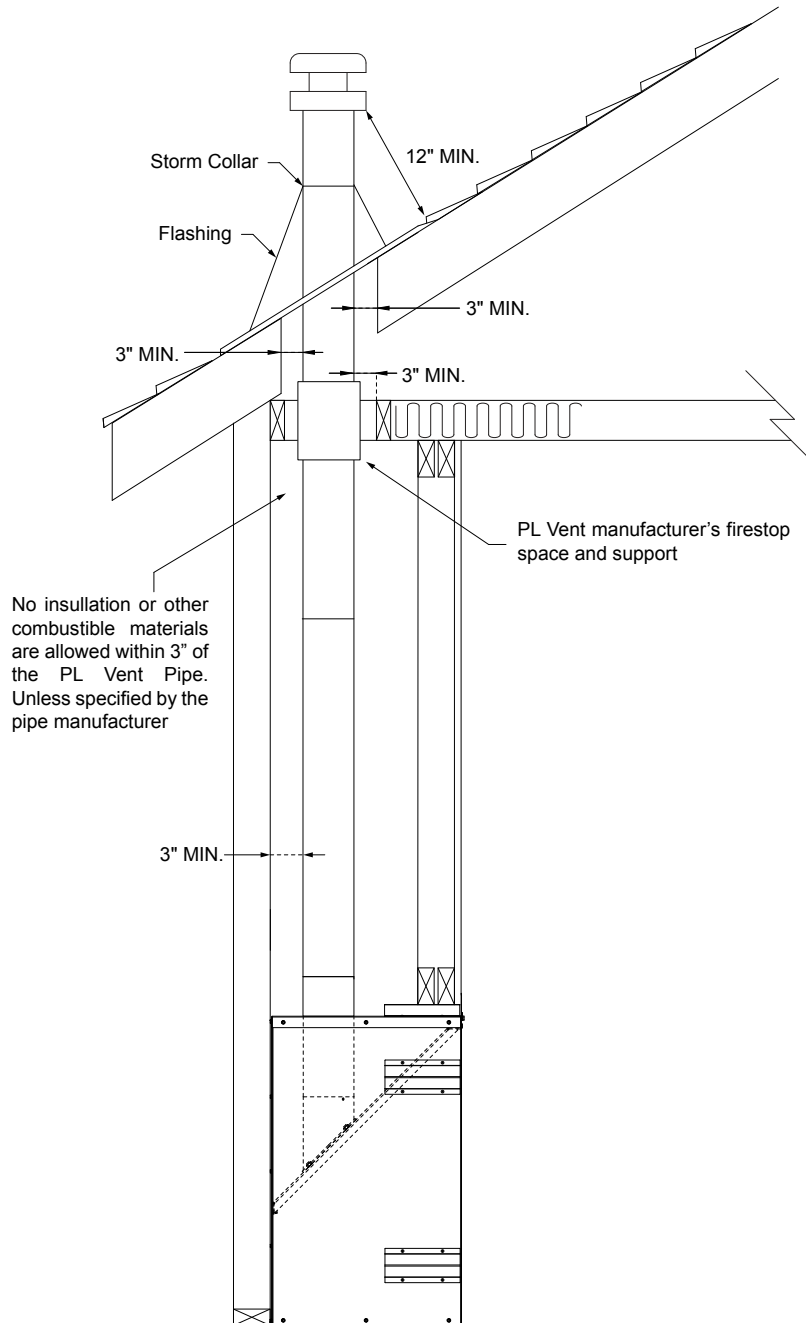


Excessive mulch and or other types of combustible bedding should be kept to a minimum directly beneath the flue outlet area.

Because of the weight of the Accentra 52i, if raised hearth is framed, heavier framing and support should be utilized. Suggested minimum of 2X6's in 12" centers under the ZC Cabinet and the hearth in front of the Cabinet.

Accentra 52i Pellet Insert Zero Clearance Cabinet

Part #1-00-574323



Venting clearances for in room installation of the Zero Clearance Cabinet.

NOTE:

- Illustrations reflect typical installations and are FOR DESIGN PURPOSES ONLY.
- Illustrations/diagrams are not drawn to scale.
- Actual installation may vary due to individual design.

NOTE:

In Canada, where passage through a wall or partition of combustible construction is desired, the installation shall conform to CAN/CSA-B365.