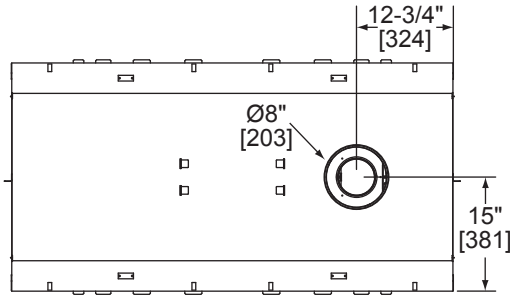




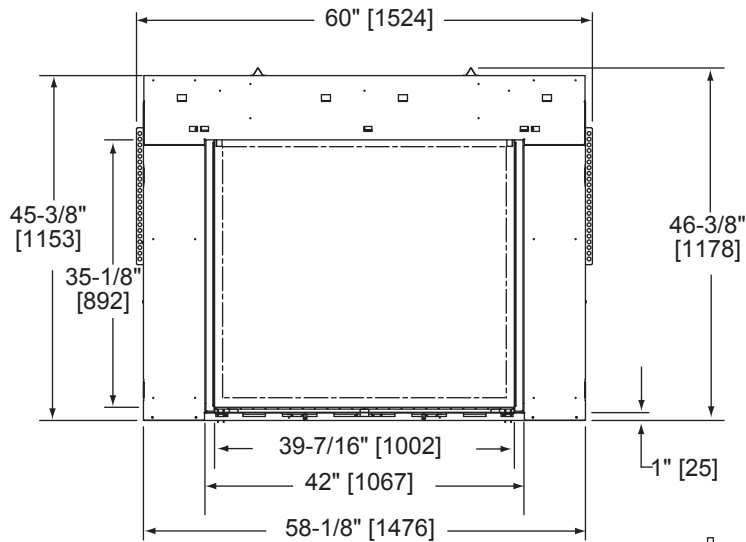
Please consult the manufacturer's installation manual for all details and requirements before making a final design layout decision.

Escape See-Through
Direct Vent Gas Fireplace

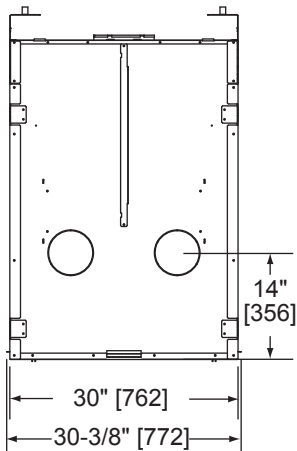
MODEL	FRONT WIDTH		BACK WIDTH		HEIGHT		DEPTH		VIEWING AREA
	Actual	Framing	Actual	Framing	Actual	Framing	Actual	Framing	
ESC-42ST	60	60-1/4	60	60-1/4	46-3/8	46-1/2	30	30	39-7/16 x 35-1/8



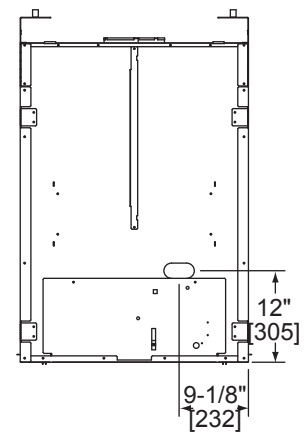
Top View



Front View



Left Side View

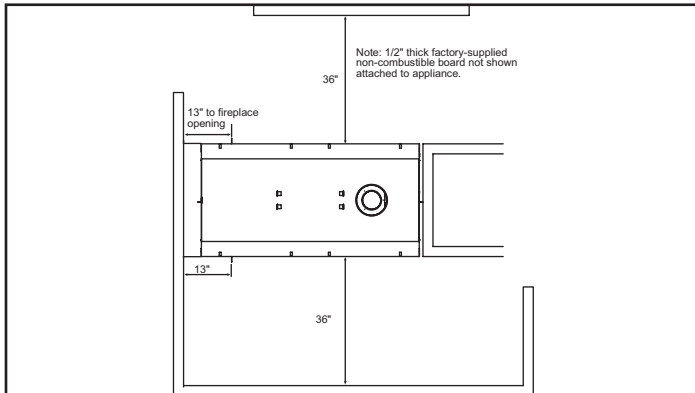


Right Side View

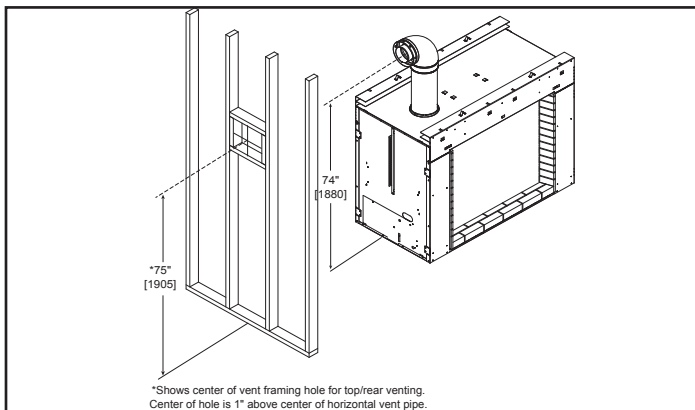
MINIMUM FIREPLACE CLEARANCES

AREA	TO COMBUSTIBLES (in inches)
CLEARANCE TO CEILING	43 from opening
COMBUSTIBLE FLOOR/FLOORING	0/See Diagram
SIDES OF APPLIANCE	1
FRONT OF APPLIANCE	36

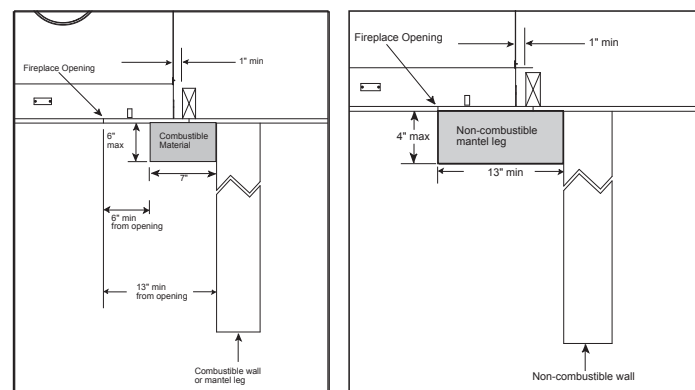
FIREPLACE LOCATIONS



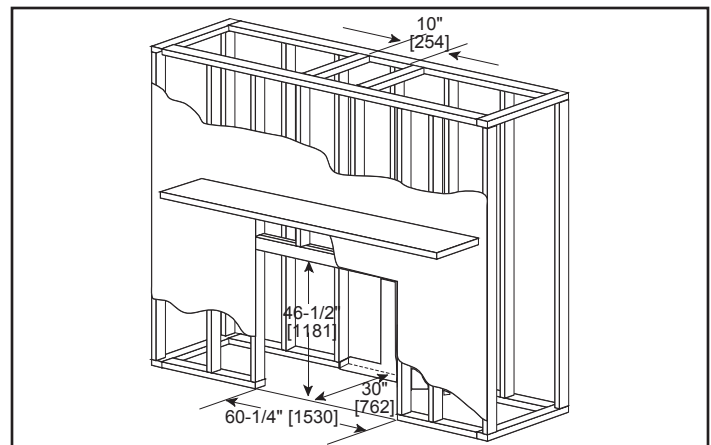
WALL PENETRATION



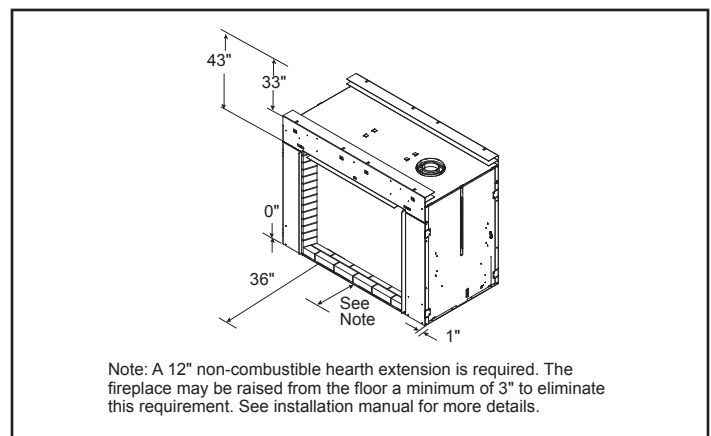
MANTEL LEG/WALL PROJECTIONS



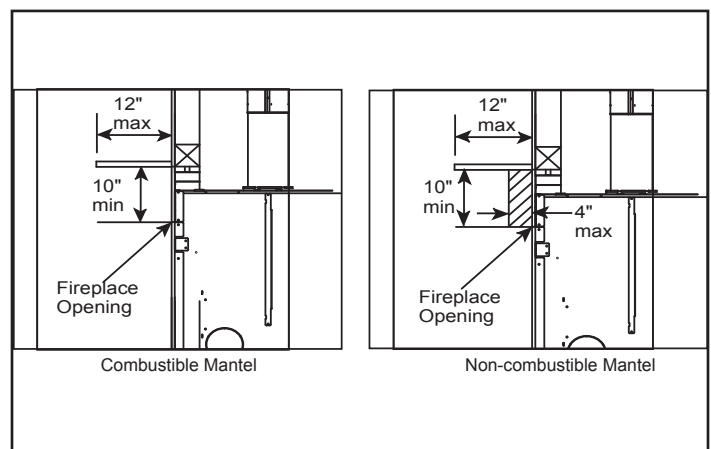
FRAMING DIMENSIONS



CLEARANCES TO COMBUSTIBLES



MANTEL PROJECTIONS



PRODUCT LISTING CODES	
US	ANSI Z21.88a-2007
CAN	CSA 2.33a-2007
	UL307B

Product information provided is not complete and is subject to change without notice. Product installation must adhere strictly to instructions accompanying product to avoid risk of fire and potential injury.

Additional information can be found online at www.heatnglo.com