

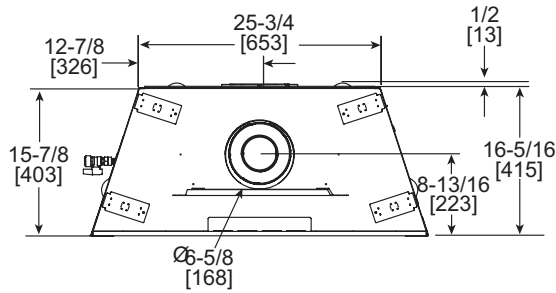


Please consult the manufacturer's installation manual for all details and requirements before making a final design layout decision.

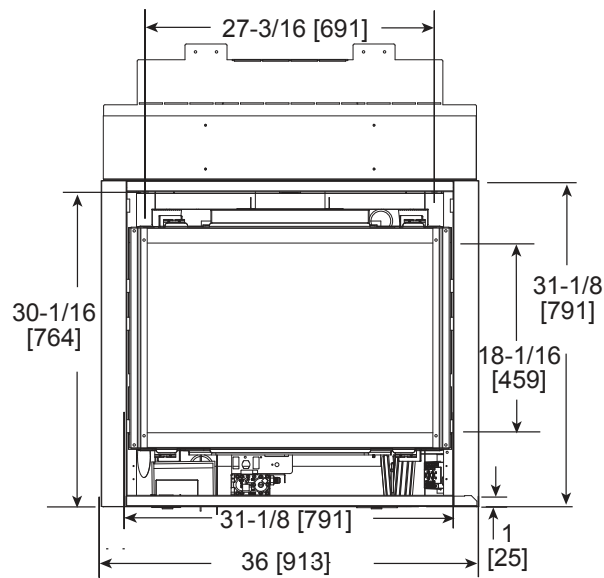
Metro 32

Direct Vent Gas Fireplace

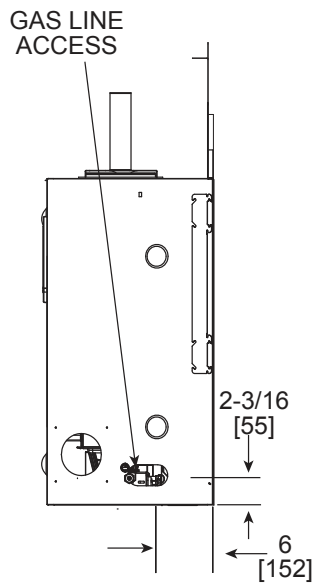
MODEL	FRONT WIDTH		BACK WIDTH		HEIGHT		DEPTH		GLASS SIZE
	Actual	Framing	Actual	Framing	Actual	Framing	Actual	Framing	
SL-550METRO	36	37	25-3/4	37	34-3/8	43	16-5/16	16-1/4	27-3/16 x 18-1/16



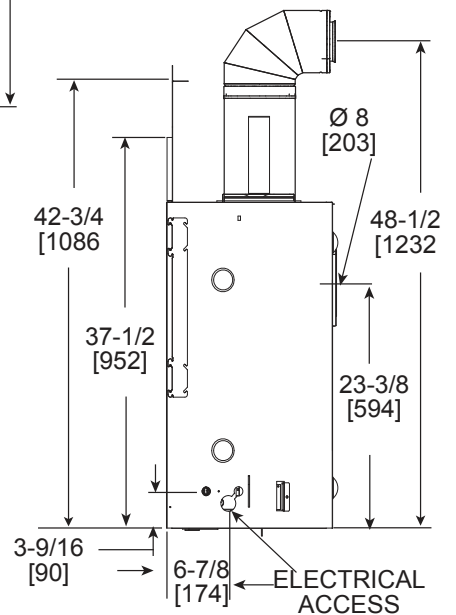
TOP VIEW



FRONT VIEW



LEFT VIEW

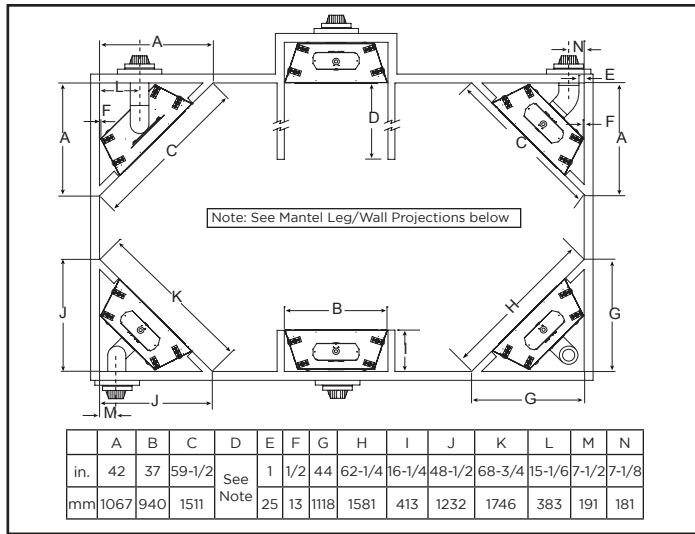


RIGHT VIEW

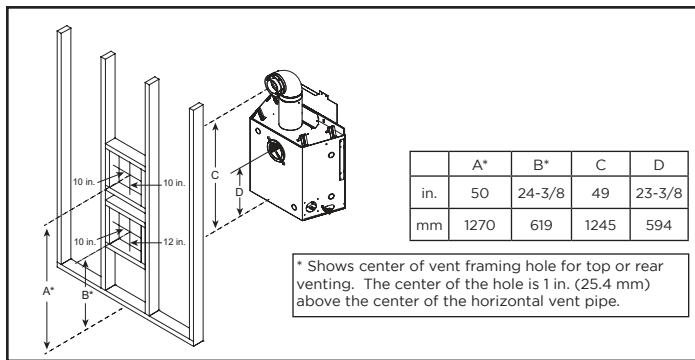
MINIMUM FIREPLACE CLEARANCES

AREA	TO COMBUSTIBLES (in inches)
CLEARANCE TO CEILING	32
NON-COMBUSTIBLE FLOOR	0
COMBUSTIBLE FLOORING	0
BEHIND APPLIANCE	1/2
SIDES OF APPLIANCE	1/2
FRONT OF APPLIANCE	36

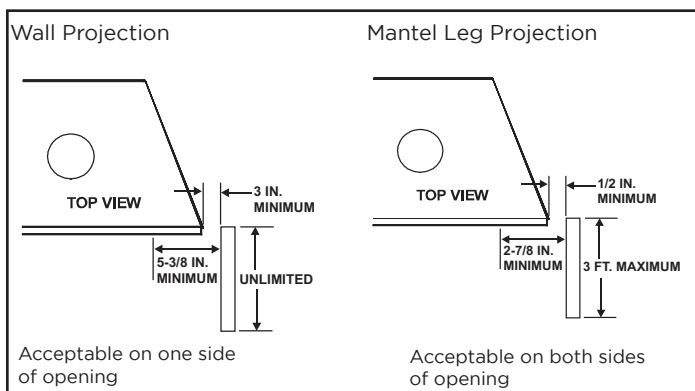
APPLIANCE LOCATION



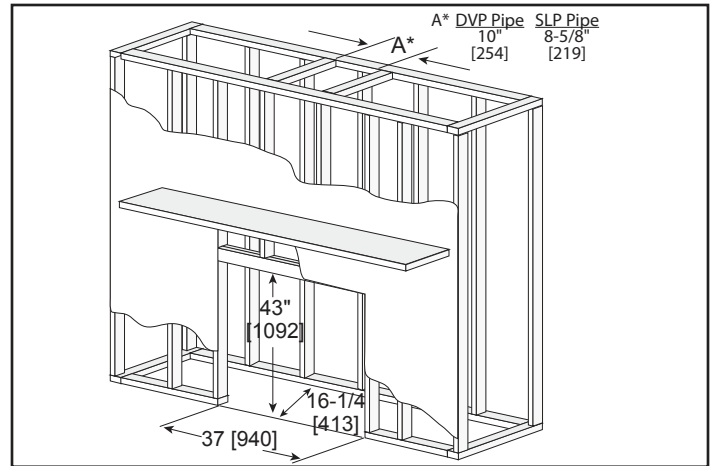
WALL PENETRATION



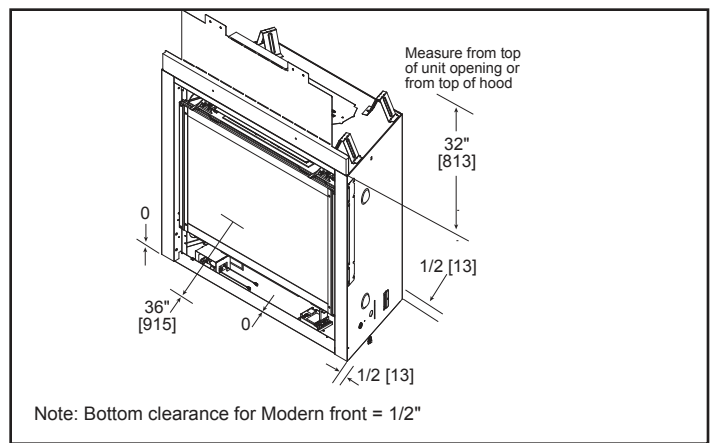
MANTLE LEG/WALL PROJECTIONS



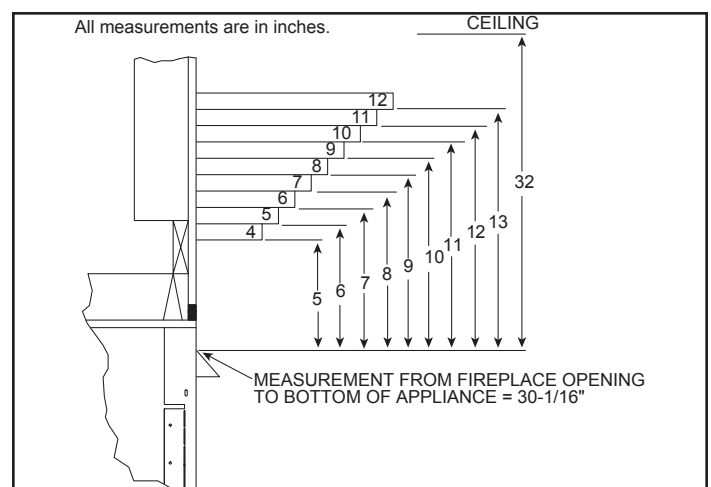
FRAMING DIMENSIONS



CLEARANCES TO COMBUSTIBLES



MANTLE PROJECTIONS



PRODUCT LISTING CODES	
US	ANSI Z21.88b-2008
CAN	CSA 2.33a-2008
US LISTED	UL307B

Product information provided is not complete and is subject to change without notice. Product installation must adhere strictly to instructions accompanying product to avoid risk of fire and potential injury.

Additional information can be found online at www.heatnglo.com