

— & —
METRO

DIRECT VENT GAS FIREPLACES



— HEAT & GLO —



A TOUCH OF
MODERN



METRO

Take modern design to new places. The compact and efficient METRO fits where other fireplaces don't. From uptown to downtown. And everywhere in-between.

CREATIVE APPLICATIONS

A slender profile, single-sided or see-through models and flexible venting options accommodate creative installation applications. Think about different placements on the wall, or in a secondary or unique space.

PERSONALIZED DETAILS

Choose your own blend of finishing details for your own look. Fronts channel attention. Distinct interior options showcase the flame differently. A reflective porcelain firebox keeps it all shining bright.



FRONT OPTIONS

Choose a front design to complement your media and accent your décor.



MODERN



FOLIO



CLEAN FACE



FINISHES

METRO MEDIA OPTIONS



CRYSTAL GLASS



BLACK GLASS



COBALT GLASS



AMBER GLASS

METRO TECHNOLOGIES

INTELLIFIRE™ IGNITION SYSTEM



The IntelliFire™ Ignition System (IPI) is an advanced intermittent pilot ignition system. IPI constantly monitors ignition, ensures safe functioning and conserves up to \$10/month in energy costs.

DIRECT VENT TECHNOLOGY



Direct Vent fireplaces remove 100% of combustion exhaust and odors outside of the home. These sealed fireplaces provide optimal heat, conserve energy and ensure clean, safe indoor air quality.

HEAT ZONE TECHNOLOGY



Draw heat from the fireplace into another room of the home, up to 20 feet away. When a heat zone kit is run continuously, it will redirect up to 25% of the fireplace's heat to another area, thus reducing wall temperatures above the fireplace. Two heat zones run continuously will redirect up to 50% of the fireplace's heat.

CONTROLS

Turn modern art on fire. Operate the METRO with an added level of function and convenience with an optional wall switch or remote control.



COVER: METRO interior

LEFT: METRO SEE-THROUGH shown with modern front in black

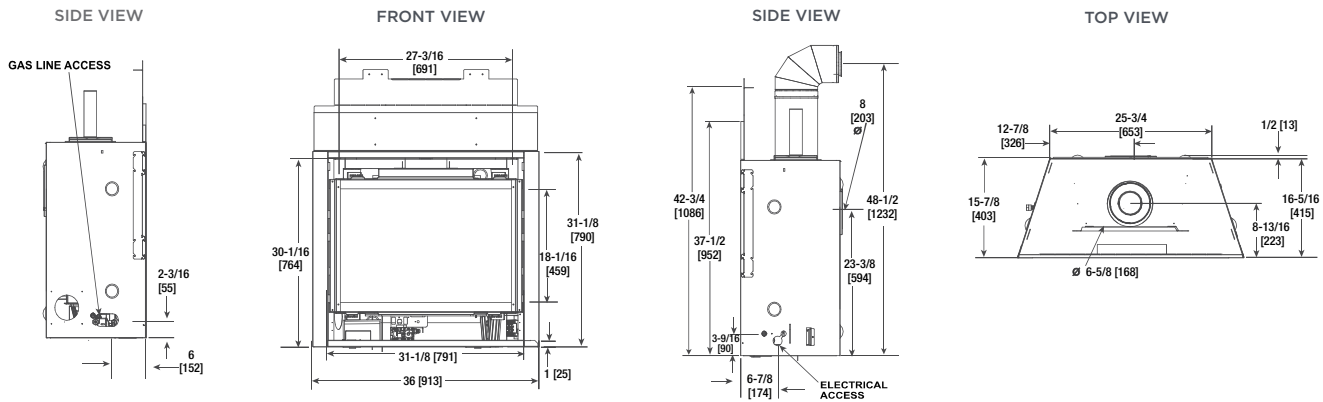
ABOVE: METRO 32 shown with modern front in fog gray

1 Fog Gray available on Modern front only

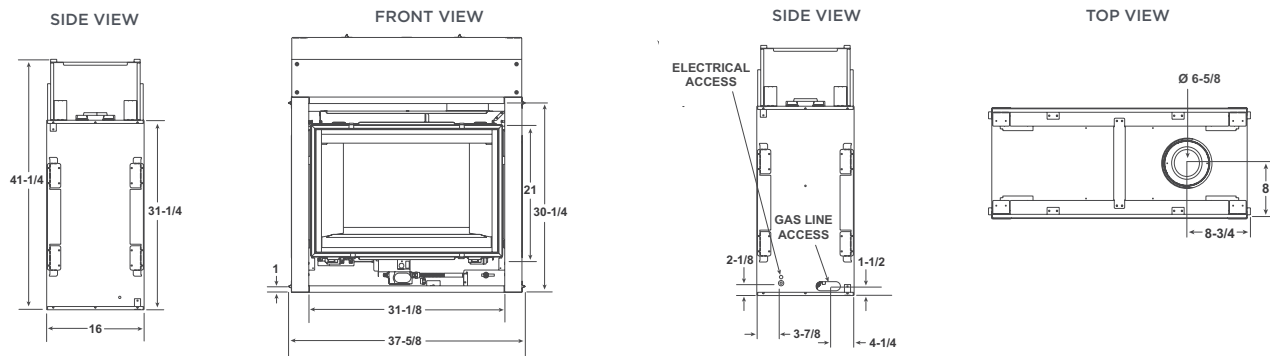
METRO SPECIFICATIONS

MODEL	FRONT WIDTH		BACK WIDTH		HEIGHT		DEPTH		GLASS SIZE	BTU/HOUR INPUT
	UNIT	FRAMING	UNIT	FRAMING	UNIT	FRAMING	UNIT	FRAMING		
METRO 32	36	37	25-3/4	37	34-3/8	43	16-1/4	16-1/4	27-3/16 X 18-1/16 [691 X 459]	21,000
	[913]	[940]	[653]	[940]	[873]	[1092]	[413]	[413]		
METRO SEE-THROUGH	37-5/8	38-1/8	37-5/8	38-1/8	41-1/4	41-1/2	16	15	27-3/16 X 18-1/16 [691 X 459]	16,000 - 22,000
	[956]	[968]	[905]	[968]	[1048]	[1054]	406	[381]		

METRO DIMENSIONS



METRO SEE-THROUGH DIMENSIONS



U.S. EFFICIENCIES

Steady State - Since most homeowners use their fireplaces for an extended time while they are in the room, Steady State measures how efficiently your fireplace converts fuel to heat once it is warmed up and running in a "steady state".

AFUE - AFUE rating is more typically used with appliances, like your furnace, that continually cycle on and off to maintain a constant temperature.

RATING	METRO 32	METRO SEE-THROUGH
STEADY STATE	72.3% (NG)	74.0% (NG)
AFUE	52.2% (NG)	47.0% (NG)

CANADA EFFICIENCIES

EnerGuide (CSA P.4.1-02) - EnerGuide is a rating used in Canada to measure annual fireplace efficiency.

RATING	METRO 32	METRO SEE-THROUGH
ENERGUIDE (CSA P.4.1-02)	53.0% (NG)	51.0% (NG)

For complete information on this model, please contact us at:

HEAT & GLO

No one builds a better fire

Web: heatnglo.com
Phone: (888) 427-3973 (952) 985-6000
E-mail: info@heatnglo.com

[facebook.com/HeatandGlo](https://www.facebook.com/HeatandGlo)
twitter.com/HeatandGlo
[youtube.com/HeatandGlo](https://www.youtube.com/HeatandGlo)

HNG-1135U-0516

LIMITED LIFETIME WARRANTY?

The strongest in the industry, Heat & Glo® provides a limited lifetime warranty on the most important aspects: firebox and heat exchanger.

2 For full warranty details, go to www.heatnglo.com.

Fireplace glass and other surfaces get extremely HOT and can cause severe burns if touched. Do not remove the protective safety screen from the front of the glass. Keep a safe distance away. To learn more visit www.heatnglo.com/fireplacesafety

