

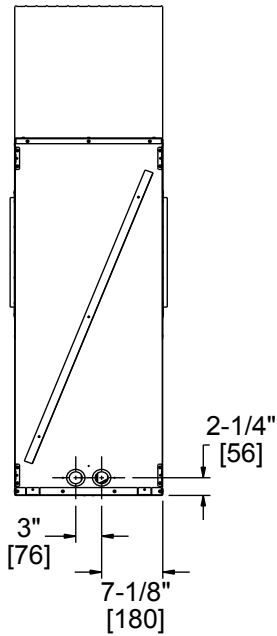


Please consult the manufacturer's installation manual for all details and requirements before making a final design layout decision.

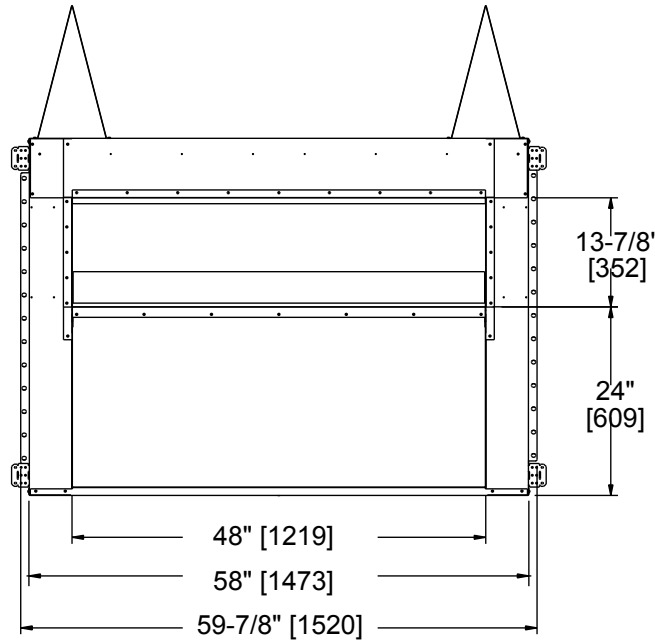
Palazzo See-Through

Outdoor Gas Fireplace

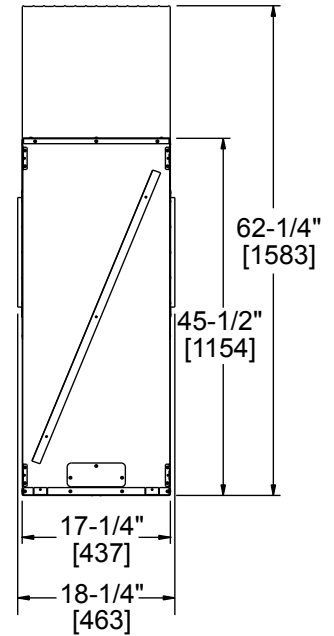
MODEL	FRONT WIDTH		BACK WIDTH		HEIGHT		DEPTH		VIEWING AREA
	Actual	Framing	Actual	Framing	Actual	Framing	Actual	Framing	
ODPALGST-48	59-7/8	60	59-7/8	60	45-1/2	62-3/8	18-1/4	17	48 x 13-7/8



Left Side

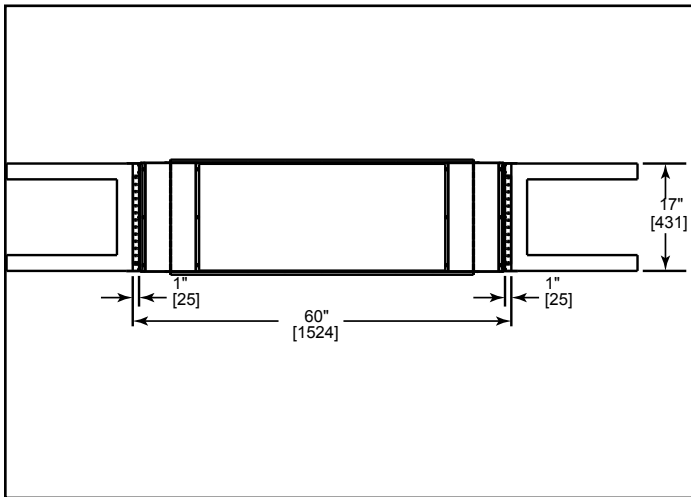


Front

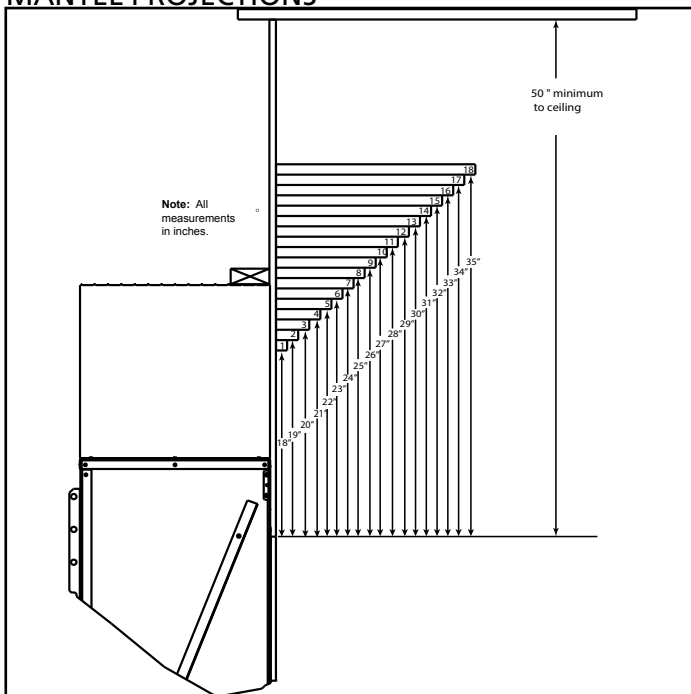


Right Side

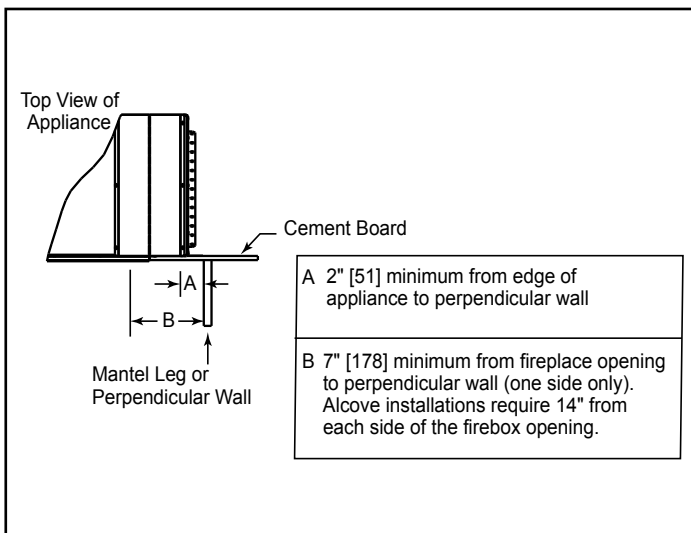
APPLIANCE LOCATION



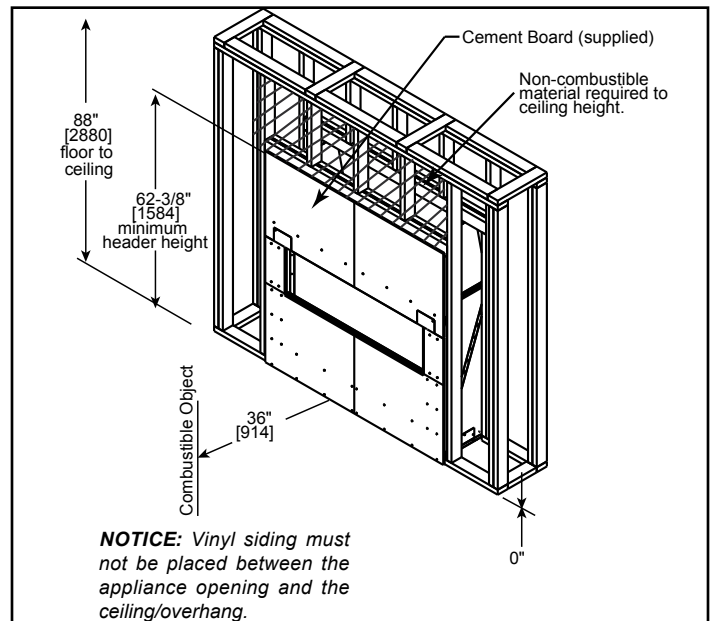
MANTEL PROJECTIONS



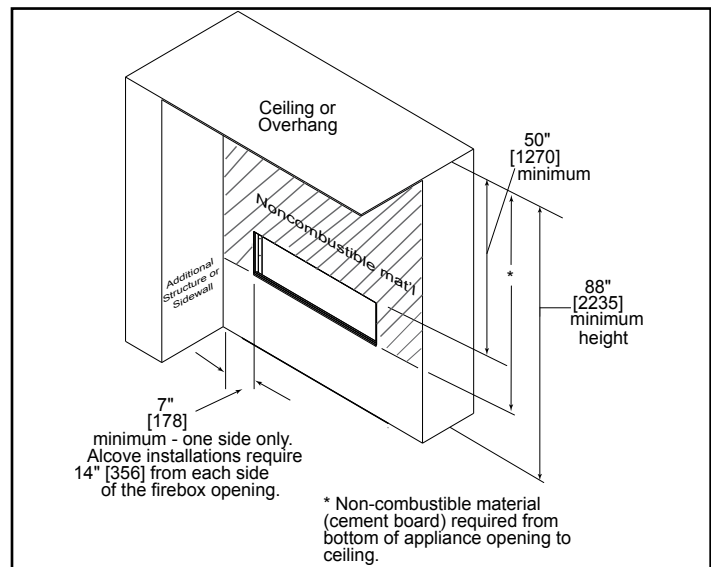
MANTEL LEG/WALL PROJECTIONS



FRAMING DIMENSIONS



CLEARANCES TO COMBUSTIBLES



Stand-Alone Installation

This appliance may be installed as a stand-alone unit.

- Cement board or other non-combustible material can be applied directly to the metal and covered with non-combustible facing material.
- When the stand-alone surround is constructed completely of non-combustible materials, stand-offs may be removed to permit a smaller structure.
- See Install Manual for additional details.

PRODUCT LISTING CODES	
US	ANSI Z21.97-2014
CAN	CSA 2.41-2014

Product information provided is not complete and is subject to change without notice. Product installation must adhere strictly to instructions accompanying product to avoid risk of fire and potential injury.

Additional information can be found online at www.fireplaces.com