



EPA-CERTIFIED WOOD FIREPLACES

QUADRA-FIRE[®]
NOTHING BURNS LIKE A QUAD

QUADRA-FIRE®

PERFORMANCE FROM THE BEGINNING



In 1990, the U.S. Environmental Protection Agency (EPA) enacted stringent wood-burning regulations, crippling the more than 500 wood stove manufacturers around the country. But not Quadra-Fire®.

Two years of research and development later, founders Alan Trusler and Dan Henry unveiled their patented "Quad Burn" system. The technology produced powerful and efficient rolling flames so intense, it dawned the inception of the Quadra-Fire name.

WHY QUADRA-FIRE

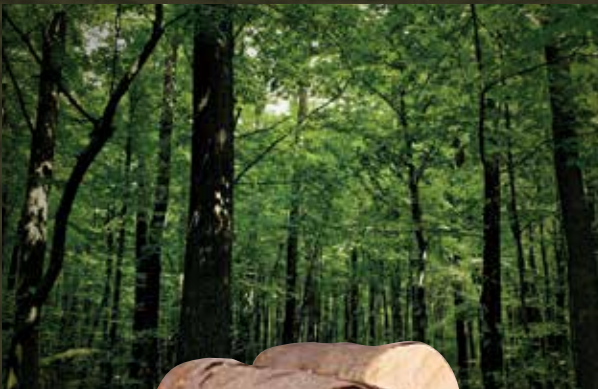
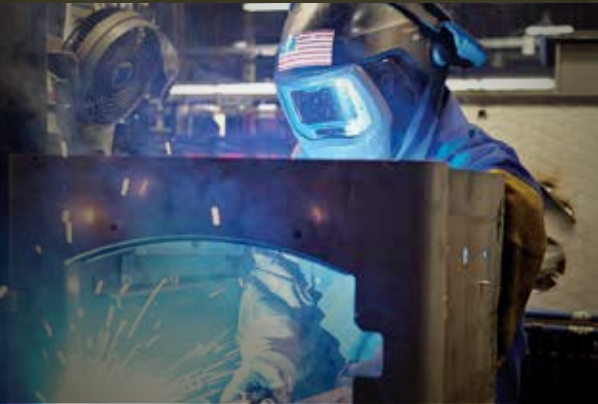
For more than 30 years, Quadra-Fire has put performance and easy operation above all else. Today these ideals are vibrant and alive, blending our past with our present. Quadra-Fire products are proudly built to last by our members.

WHY WOOD

IT'S RENEWABLE - Using renewable energy sources is more important than ever, and wood is 100 percent renewable. When you burn wood, you are also completing the last step of the natural carbon cycle of trees, resulting in a zero net carbon impact on the environment.

IT'S COST-EFFECTIVE - Heating with wood costs less than heating with electricity, liquid propane or heating oil, especially if you harvest wood yourself.

As the fire ignites, it remains clear:
NOTHING BURNS LIKE A QUAD.



COVER: 7100 SHOWN WITH VALLEY FORGE FRONT AND SATIN NICKEL DOORS

QUADRA-FIRE

PERFORMANCE NEVER LOOKED SO GOOD

With Quadra-Fire, performance comes standard. Building on its strong legacy, Quadra-Fire creates products with:

PERFORMANCE

Get maximum heat and a clean burn, with the Quadra-Fire Four-Point Burn System delivering performance that you can see.

EASY OPERATION

Eliminate the hassle and save time with Automatic Combustion Control (ACC): Simply load the wood, light the fire and walk away.

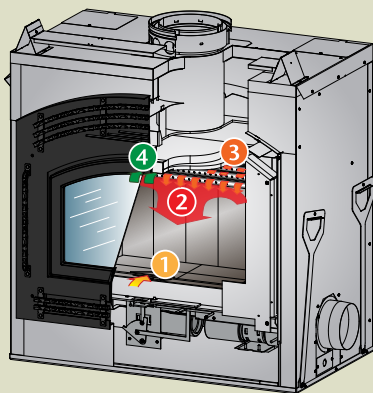


EXCLUSIVE TECHNOLOGIES

Innovative technology is at work in every Quadra-Fire. These advancements make it possible to burn wood more effectively, efficiently, and with more control.

FOUR-POINT BURN SYSTEM

The patented Quadra-Fire Four-Point Burn System produces intense rolling flames. Four combustion cycles extend the heat, enhance the fire and increase efficiency for long-lasting, proven performance.



1. PRECISION START-UP

Airflow quickly routes to the heart of the fire.

2. SECONDARY BURN ZONE

Air movement helps create rolling flames and keeps the glass clean.

3. TERTIARY BURN ZONE

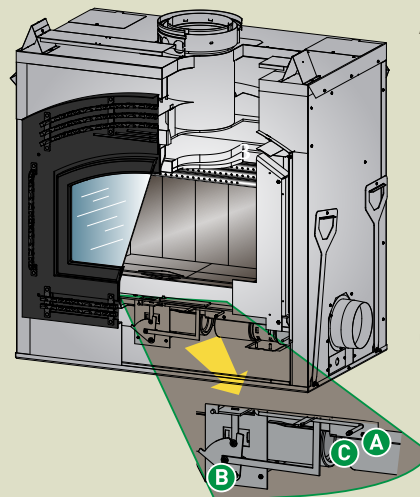
Superheated air ignites flammable gases rising from the wood.

4. QUATERNARY

BURN ZONE Remaining impurities are burned above the baffle before exiting up the chimney.

AUTOMATIC COMBUSTION CONTROL

Automatic Combustion Control (ACC) is an advanced heat management technology from Quadra-Fire. ACC feeds the fire with air when it's needed most—for precision start-up and consistent, extended burns.



A. ACTIVATION CONTROL HANDLE

Slide all the way to the right to activate start-up airflow.

B. ACC TIMER

Opens ACC air inlet during start-up for approximately 90-120 minutes.

C. BURN RATE CONTROL

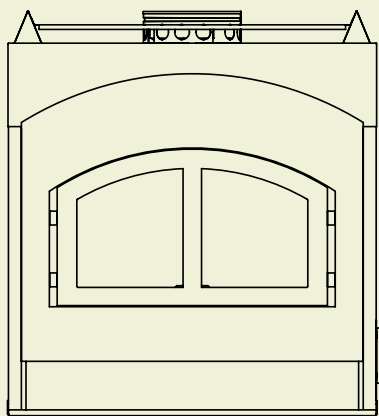
Controls the airflow feeding the fire, also controls your comfort.

7100 WOOD FIREPLACE

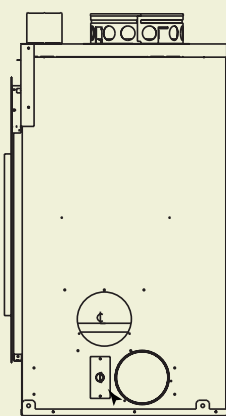


7100 SHOWN WITH MISSION HILL FRONT AND SATIN NICKEL DOOR

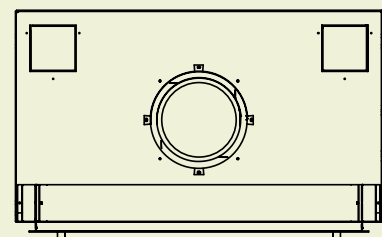
Peak BTU/hr Output ¹ 92,400	Heating Capacity ² 1,200-3,000 sq ft	Max. Burn Time ³ 16 hrs	Efficiency ⁴ 77.6%	Emissions 3.1 g/hr	Firebox 3.4 cu ft	Recommended Log Length 24"	Blower System 280 cfm	Weight 670lb
---	--	--	---	------------------------------	-----------------------------	---	---------------------------------	------------------------



FRONT VIEW



SIDE VIEW



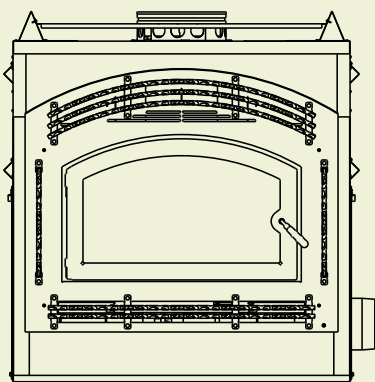
TOP VIEW

PIONEER II WOOD FIREPLACE

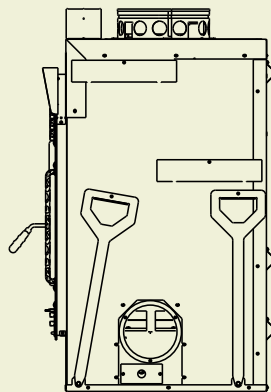


PIONEER II SHOWN WITH STANDARD CLASSIC BLACK ARCHED DOOR AND FACE

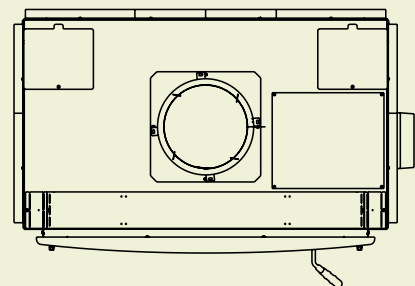
Peak BTU/hr Output ¹ 74,900	Heating Capacity ² 1,000-2,600 sq ft	Max. Burn Time ³ 10 hrs	Efficiency ⁴ 77.2%	Emissions 3.3 g/hr	Firebox 2.7 cu ft	Recommended Log Length 22"	Blower System 280 cfm	Weight 665lb
---	--	--	---	------------------------------	-----------------------------	---	---------------------------------	------------------------



FRONT VIEW



SIDE VIEW



TOP VIEW

OPTIONS

7100 FRONT OPTIONS



VALLEY FORGE



MISSION HILL



ROLLING MEADOWS

7100 DOOR OPTIONS

Doors come standard on the appliance; choose your color.

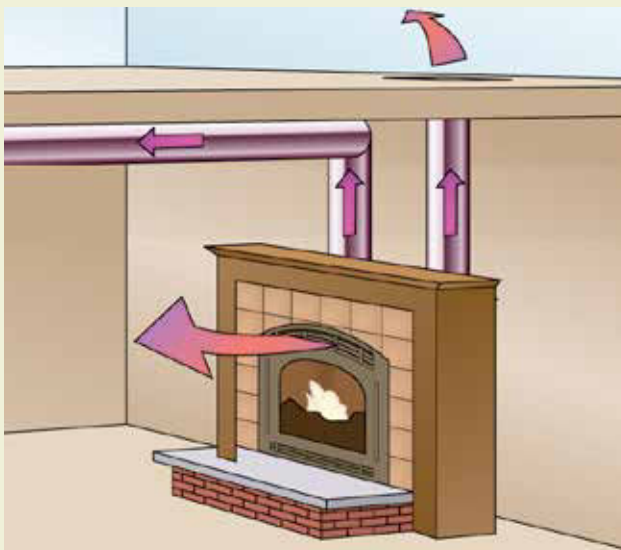


- » SATIN NICKEL
- » BLACK

7100 FIRESCREEN OPTION

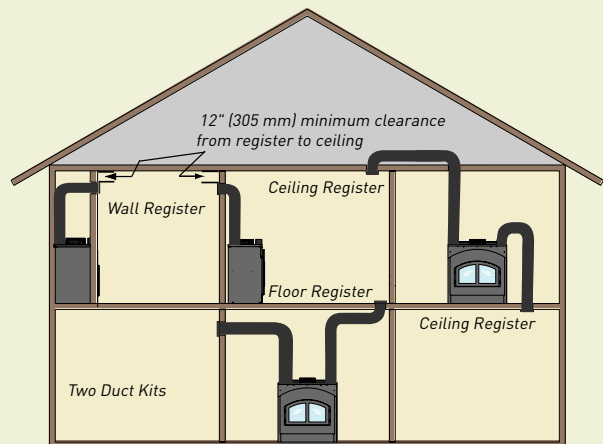


HEAT ZONE SYSTEM



With the 7100 and Pioneer II, you can use one or two optional heat zone systems. These systems allow you to route heated air to other areas of the home.

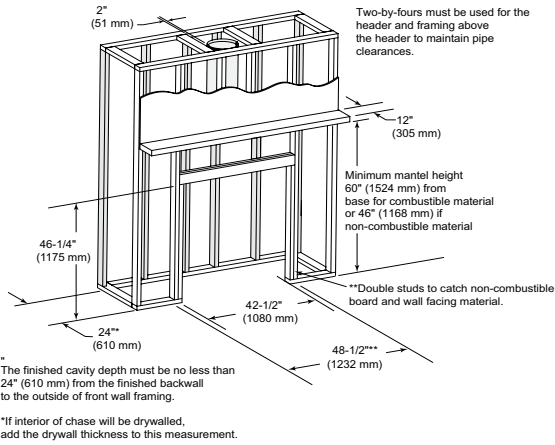
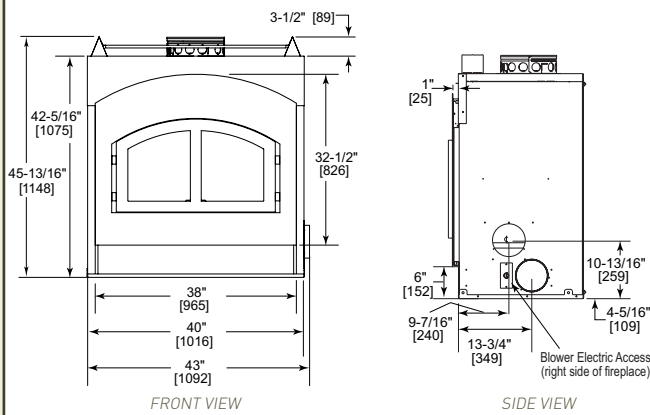
Possible Heat Zone Duct Runs



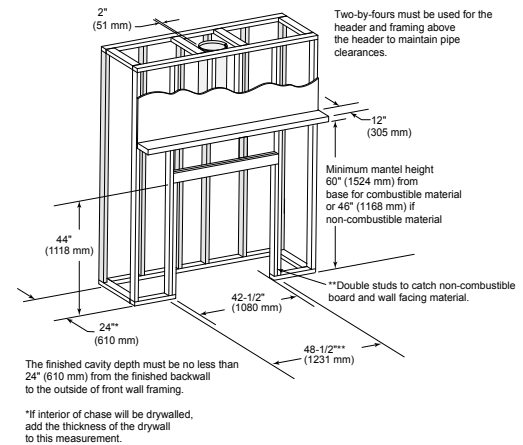
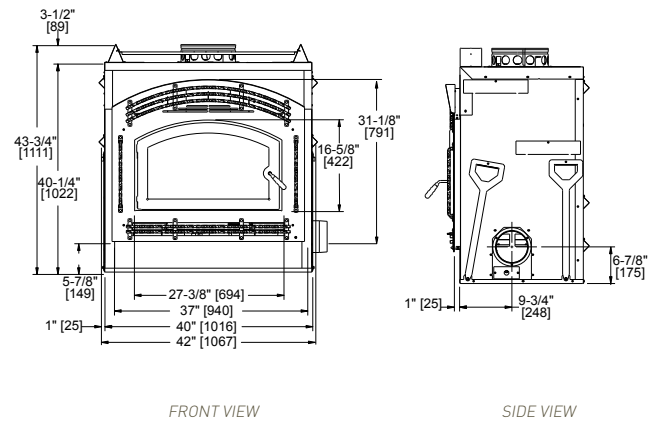
Don't waste your money heating the living spaces that you're not using. With zone heating, you can easily reduce your energy consumption by up to 40%, and reduce your utility bill in the process. Using a Quadra-Fire fireplace as a supplemental heating source, you can turn down your central furnace or boiler system and still maintain comfortable temperatures in your common living area.

SPECIFICATIONS

7100



PIONEER II



SPECIFICATIONS

PEAK BTU/HR OUTPUT¹
 » 92,400

HEATING CAPACITY²
 » 1,200 - 3,000 sq ft

MAXIMUM BURN TIME³
 » 16 hrs

EFFICIENCY⁴
 » 77.6%

EMISSIONS
 » 3.1 g/hr

FIREBOX CAPACITY
 » 3.4 cu ft

RECOMMENDED LOG LENGTH
 » 24" max.

VIEWING AREA
 » 320 sq in

ACTUAL WEIGHT
 » 670lb

CLEARANCES

ENCLOSED AREA
 » 1" appliance to back wall
 » 1" appliance to sidewall
 » 0" duct boots to framing
 » 0" top standoffs to header

EXPOSED SURFACES
 » 16" faceplate to sidewall
 » 12" heat zone air grilles to ceiling

MINIMUM MANTEL HEIGHT
 » 60" (from base) combustible material
 » 46" (from base) non-combustible material

MAXIMUM MANTEL DEPTH
 » 12"

MINIMUM HEARTH
 » 20" deep x 41" wide centered in front of fireplace

SPECIFICATIONS

PEAK BTU/HR OUTPUT¹
 » 74,900

HEATING CAPACITY²
 » 1000 - 2,600 sq ft

MAXIMUM BURN TIME³
 » 10 hrs

EFFICIENCY⁴
 » 77.2%

EMISSIONS
 » 3.3 g/hr

FIREBOX CAPACITY
 » 2.7 cu ft

RECOMMENDED LOG LENGTH
 » 22" max.

VIEWING AREA
 » 296 sq in

ACTUAL WEIGHT
 » 665lb

CLEARANCES

ENCLOSED AREA
 » 1" appliance to back wall
 » 1" appliance to sidewall
 » 0" duct boots to framing
 » 0" top standoffs to header

EXPOSED SURFACES
 » 16" faceplate to sidewall
 » 12" heat zone air grilles to ceiling

MINIMUM MANTEL HEIGHT
 » 60" (from base) combustible material
 » 46" (from base) non-combustible material

MAXIMUM MANTEL DEPTH
 » 12"

MINIMUM HEARTH
 » 20" deep x 41" wide centered in front of fireplace



Thank you from everyone at Quadra-Fire.

Available From:

QUADRA-FIRE[®]

NOTHING BURNS LIKE A QUAD

www.quadrafire.com | 800-926-4356

Limited Lifetime Warranty⁵

The strongest in the industry, Quadra-Fire provides a limited lifetime warranty on the most important aspects: firebox and heat exchanger.

facebook.com/QuadraFire

houzz.com/pro/QuadraFirePower

twitter.com/QuadraFire

youtube.com/QuadraFirePower

¹ BTU: First hour output uses high burn efficiency number. BTU will vary depending on the type of fuel used and moisture content of the fuel. ² Heating capacity (in square feet) is a guideline only and may differ due to climate, building construction and condition, amount and quality of insulation, location of the heater, air movement in the room and type of wood used. ³ Actual burn times will vary based on how the appliance is operated, load size, moisture content and type. ⁴ Weighted average Low Heating Value (LHV) efficiency. ⁵ For full warranty details go to www.quadrafire.com.

IMPORTANT - READ BEFORE YOU INSTALL! - Refer to the owner/installation manual for complete clearance requirements and specifications. The images and descriptions in this brochure are provided to assist you in product selection only. Fireplace, stove and insert surfaces get extremely HOT and can cause burns if touched. Keep a safe distance away. To learn more visit www.quadrafire.com/fireplacesafety. Quadra-Fire is a registered trademark of Hearth & Home Technologies. Product specifications and pricing subject to change without notice.

QDF-1067U-0916