



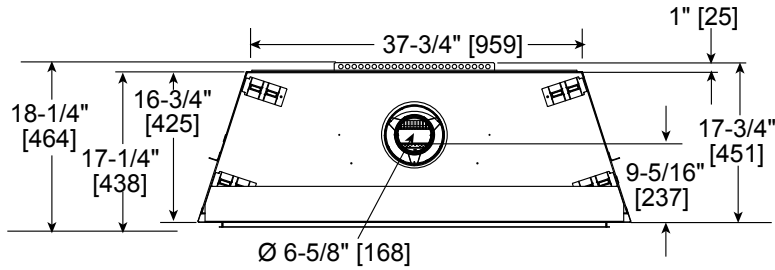
Please consult the manufacturer's installation manual for all details and requirements before making a final design layout decision.

Rave 42

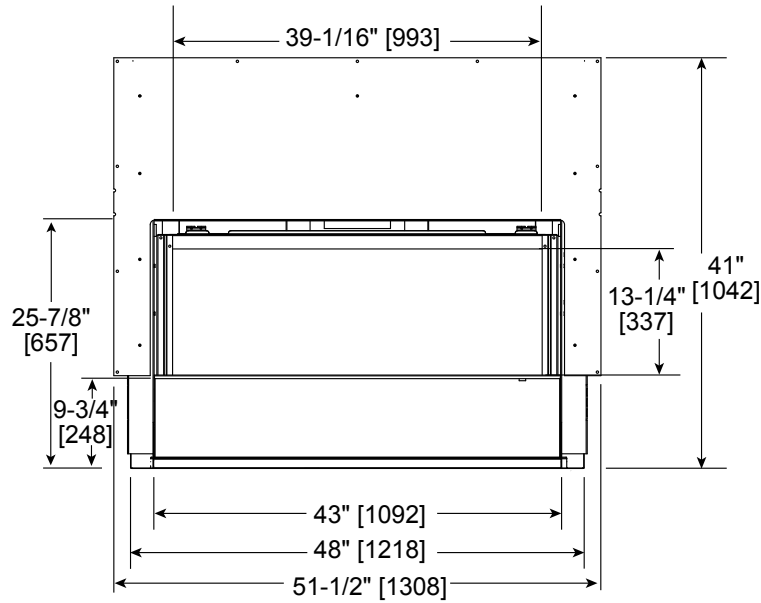
Direct Vent Gas Fireplace

MODEL	FRONT WIDTH		BACK WIDTH		HEIGHT		DEPTH		GLASS SIZE
	Actual	Framing	Actual	Framing	Actual	Framing	Actual	Framing	
RAVE4013	48	50	37-3/4	50	41	40-1/4	18-1/4	18-1/4	39-1/16 x 13-1/4

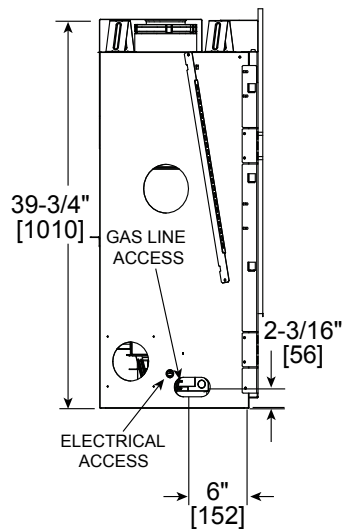
Top View



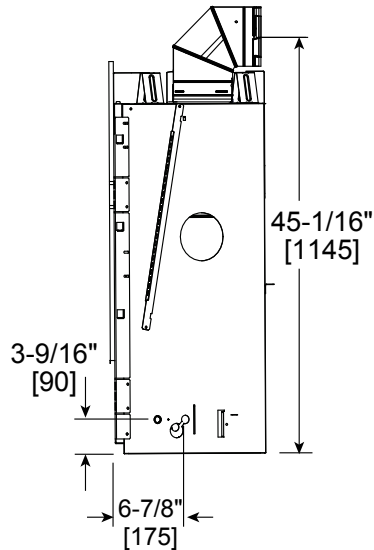
Front View



Left Side View



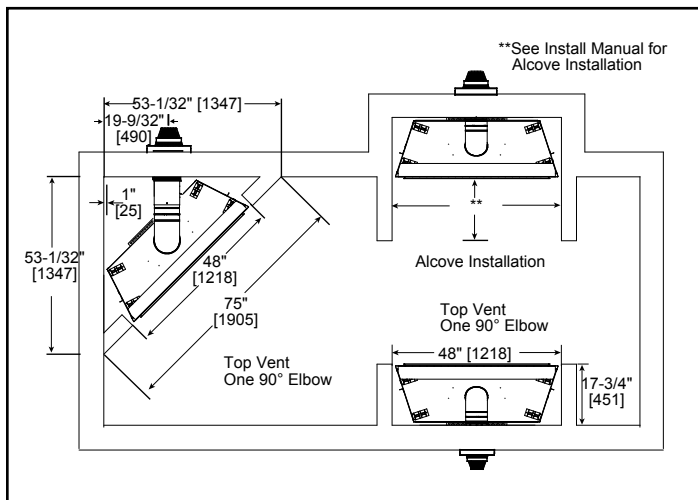
Right Side View



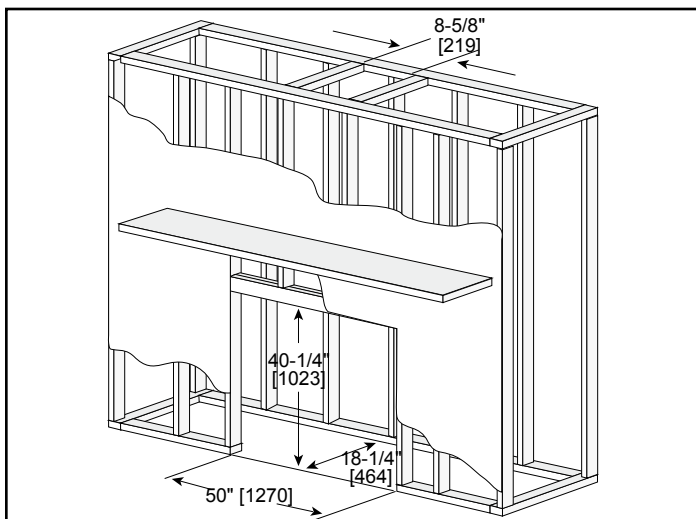
MINIMUM FIREPLACE CLEARANCES

AREA	TO COMBUSTIBLES (in inches)
CLEARANCE TO CEILING	31
COMBUSTIBLE/NON-COMBUSTIBLE FLOOR	0
BEHIND/SIDES OF APPLIANCE	1
FRONT OF APPLIANCE	36

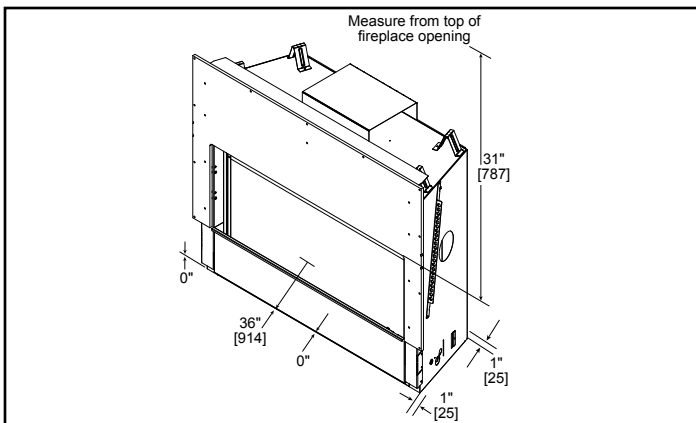
APPLIANCE LOCATION



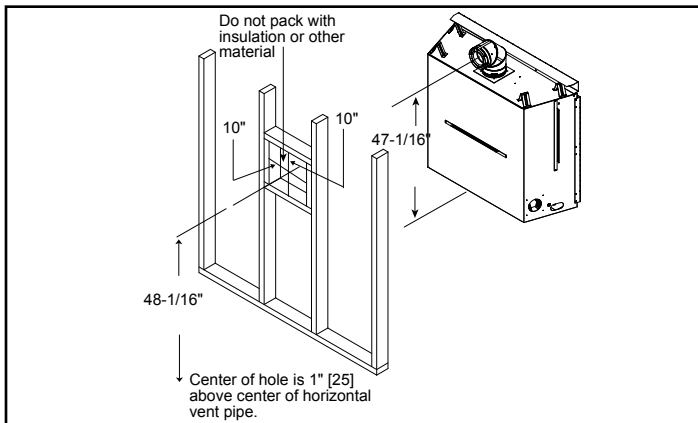
FRAMING DIMENSIONS



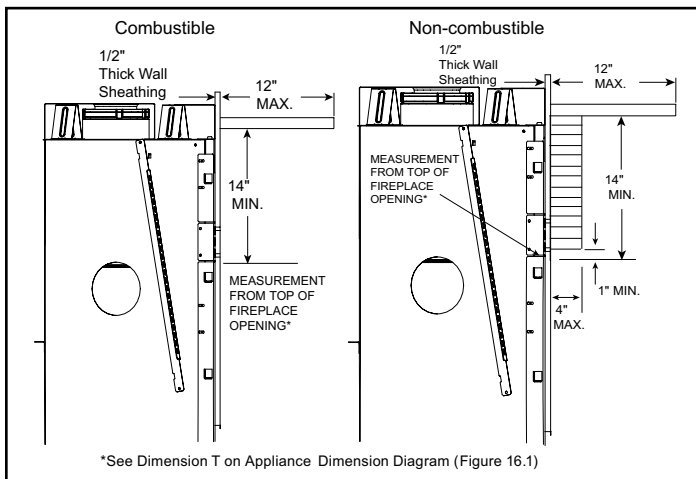
CLEARANCES TO COMBUSTIBLES



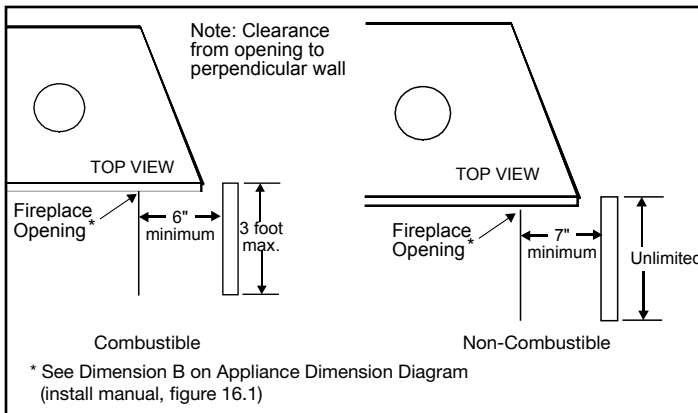
WALL PENETRATION



MANTEL PROJECTIONS



MANTEL LEG/WALL PROJECTIONS



PRODUCT LISTING CODES	
US	ANSI Z21.88b-2008
CAN	CSA 2.33a-2008
US LISTED	UL307B

Product information provided is not complete and is subject to change without notice. Product installation must adhere strictly to instructions accompanying product to avoid risk of fire and potential injury.

Additional information can be found online at www.heatilator.com