



TWILIGHT SERIES

INDOOR/OUTDOOR GAS FIREPLACES



outdoor 
lifestyles
by hearth & home technologies®

TWILIGHT SERIES

Add warmth and fireside views to two spaces—with one fireplace. The Twilight II is the world's first see-through indoor/outdoor gas fireplace. The Twilight Modern is an evolution, offering impressive fireside views whether relaxing inside or enjoying the outdoors. Enjoy the fire year-round with an advanced design and strong construction, ensuring an impressive and consistent performance inside and out.

- Unique indoor/outdoor viewing for increased fireside views
- Artistic flames rise through a crushed glass firebed for eye-catching details (Twilight Modern only)
- No chimney or venting required, blending your fireplace effortlessly into your outdoor space
- IntelliFire™ Ignition System with wall switch constantly monitors ignition and ensures safe functioning
- 36" wide fireplace adds enjoyment to your space

Optional features

- Multiple combinations of interior fronts and finishes complement your décor



Above: Twilight II (outdoor side) shown with standard exterior front

Shown on cover, top: Twilight Modern (outdoor side) shown with black glass firebed and standard exterior front. Bottom, left to right: Twilight II (outdoor side) shown with standard exterior front; Twilight Modern (indoor side) shown with black glass firebed and contemporary front in fog gray; Twilight II (indoor side) shown with firescreen front and carriage hill companions in black.

Interior Front Options



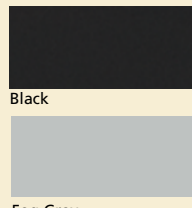
Interior Firescreen Front Contemporary Front

Exterior Front Option



Exterior Firescreen Front

Front Finishes



Black
Fog Gray (Contemporary front only)

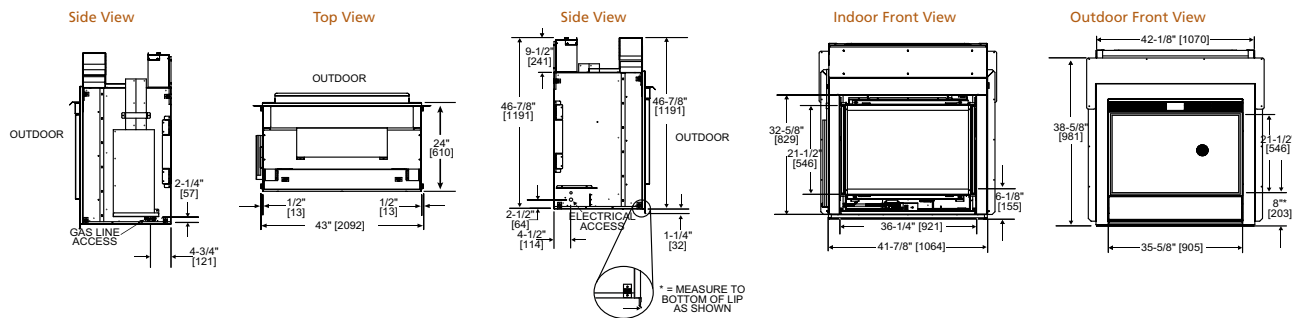
Glass Media Options (Twilight Modern)



Black (Standard) Clear Amber

SPECIFICATIONS: TWILIGHT MODERN & TWILIGHT II

Model	Front Width		Back Width		Height		Depth		Glass Size	BTU/hr Input
	Unit	Framing	Unit	Framing	Unit	Framing	Unit	Framing		
Twilight-II / Twilight-Mod	43" [1091]	44" [1118]	43" [1091]	44" [1118]	46-7/8" [1191]	47-5/8" [1210]	24" [609]	23" [584]	35-5/8" x 21-1/2" [905 x 546]	38,000 (NG), 36,000 (LP)



Dimensions are in inches and millimeters. Product information is not complete and is subject to change without notice. Product installation must adhere strictly to instructions shipped with product. We recommend measuring individual units at installation. NOTE: Combustible material should not cover the face. Refer to installation manual for detailed specifications on installing this product. Hearth & Home Technologies® reserves the right to update units periodically. The flame and glass media appearance may vary based on the type of fuel burned. Actual product appearance, including flame, may differ from product images.

For complete information and valuable assistance on these products, contact us at:



Phone: 800-927-6841
Web: fireplaces.com

Limited Warranty¹

Hearth & Home Technologies guarantees protection for a period of one year from date of purchase.

¹ For full warranty details, see installation manual

The information provided in this literature is for planning purposes only and subject to change. The flame and ember appearance may vary based on the type of fuel burned and venting configuration used. Actual product appearance, including flame, may differ from product images. Please consult the MSRP book for a complete list of optional accessories. ©2016 Hearth & Home Technologies. Fireplace, stove and insert surfaces get extremely HOT and can cause severe burns if touched. Keep a safe distance away. To learn more visit www.fireplaces.com/fireplacesafety

