

OXFORD

DIRECT VENT GAS STOVE



CLASSIC GOOD LOOKS. RELIABLE PERFORMANCE.

OXFORD DIRECT VENT GAS STOVE

The Oxford direct vent gas stove combines the beauty and durability of a cast iron wood stove with the flexible installation and convenience of gas. The solid cast iron construction features a radiant ceramic burner system with a large glass viewing area to maximize enjoyment. Add warmth to any room in your home with the Oxford.

Maximum Viewing Area

The clean, simple design features a large, unobstructed view of the fire.

Reliable Performance

No power needed with standing pilot ignition.

Additional Features

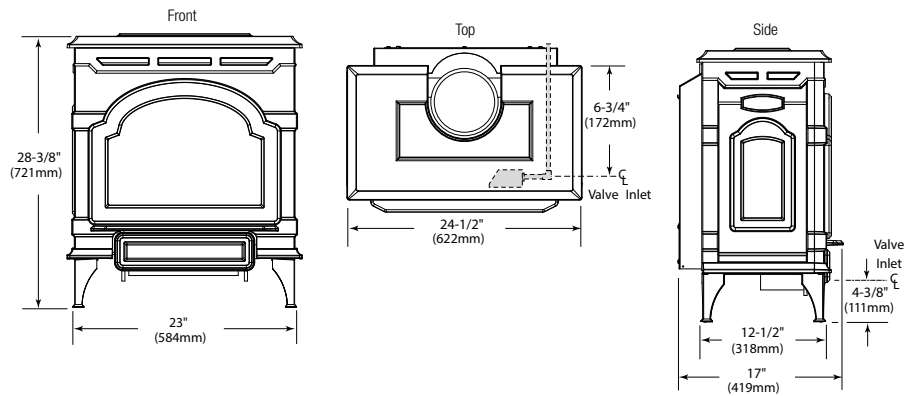
- Classic black finish
- Realistic split oak log set and ceramic burner for lifelike, glowing ember bed
- Liquid propane conversion kit included
- Heat 700-1,200 sq ft with 20,000-28,000 BTUs, based on climate and home efficiency

Optional Accessories

- Control your comfort with multiple remote options
 - On/Off Remote
 - Thermostat Remote
 - Touchscreen Thermostat Remote
- Variable speed fan kit to better distribute heat throughout your space

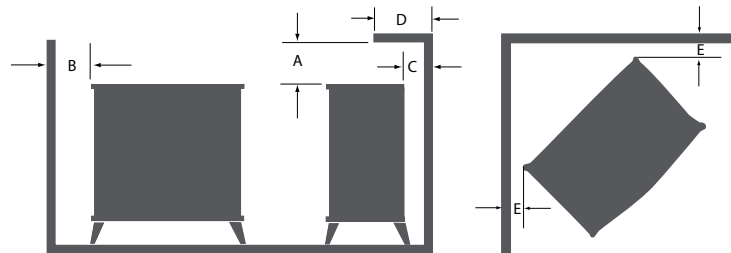
SPECIFICATIONS

Peak Btu/Hr Input	20,000 - 28,000 (NG) / 19,000 - 28,000 (LP)
Heating Capacity	700 - 1,200 Sq Ft
Glass Size	19" X 16-7/8"
Energuide Csa P.4.1-15	58%
U.S. Efficiency Steady State	81%
U.S. Efficiency Afue	71%
Actual Weight	202 Lbs
Flue Size	6-5/8"
Venting	Top



INSTALLATION: NORMAL CLEARNCE REQUIREMENTS

(A) TO CEILING	45-1/2"
(B) TO SIDE WALL	4"
(C) TO REAR WALL	4"
(D) MAX ALCOVE DEPTH	48"
(E) TO SIDE WALL CORNER	4"

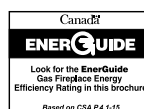


Limited Lifetime Warranty

The strongest in the industry, Hearth & Home Technologies® provides a limited lifetime warranty on the most important aspects: firebox and heat exchanger.

Fireplace glass and other surfaces get extremely HOT and can cause severe burns if touched. Do not remove the protective safety screen from the front of the glass. Keep a safe distance away.

To avoid personal injury or property damage, the product described by this brochure must be installed, operated and maintained in strict compliance with the instructions packaged with the product and all applicable building or fire codes. Contact local building or fire officials about restrictions and installation inspection requirements. All photographs and drawings on this brochure are for illustrative purposes only and are not intended for, nor should they be used as a substitute for, the instructions packaged with the unit. Appearance and specifications of the product are subject to change without notice. ©2017 Hearth & Home Technologies



Your Dealer