

Installation Manual

Installation & Appliance Set-Up

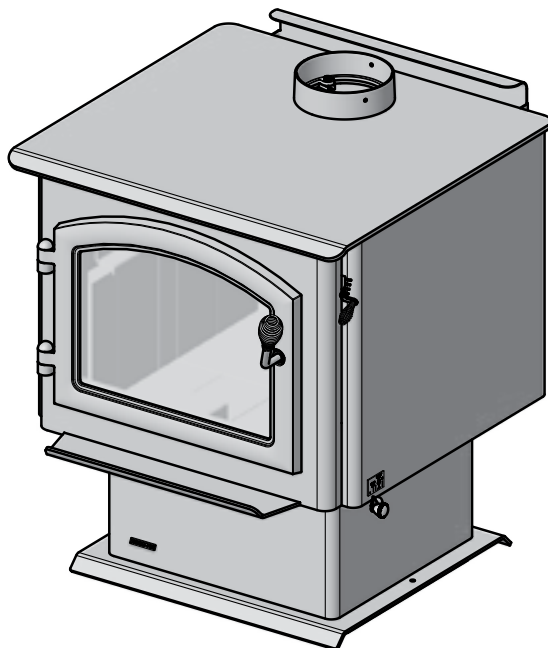
INSTALLER: Leave this manual with party responsible for use and operation.
OWNER: Retain this manual for future reference.

NOTICE: DO NOT DISCARD THIS MANUAL

QUADRA-FIRE®

**3100 MILLENNIUM WOOD
APPLIANCE
AUTOMATIC COMBUSTION
CONTROL (ACC)**

**MODEL NUMBER:
31M-ACC-C**



WARNING



If the information in these instructions is not followed exactly, a fire could result causing property damage, personal injury, or death.

- Do not store or use gasoline or other flammable vapors and liquids in the vicinity of this or any other appliance.
- Do not over-fire - If appliance or chimney connector glows, you are over-firing. Over-firing will void your warranty.
- Comply with all minimum clearances to combustibles as specified.

Failure to comply may cause house fire.



WARNING



HOT SURFACES!

Glass and other surfaces are hot during operation AND cool down.

Hot glass and appliance will cause burns.

- Do not touch glass until it is cooled
- Use leather gloves when reloading fuel
- NEVER allow children to touch glass
- Keep children away
- CAREFULLY SUPERVISE children in same room as appliance.
- Alert children and adults to hazards of high temperatures
- **High temperatures may ignite clothing or other flammable materials.**
- Keep clothing, furniture, draperies and other flammable materials away.



WARNING



Fire Risk.

For use with solid wood fuel only.

Other fuels may over-fire and generate poisonous gases (i.e. carbon monoxide).

Installation and service of this appliance should be performed by qualified personnel. Hearth & Home Technologies recommends HHT Factory Trained or NFI certified professionals.

hearthED
FACTORY TRAINING
Fuel Your Fire

NFI NATIONAL
FIREPLACE
INSTITUTE
A CERTIFICATION AGENCY

NOTE: To obtain a French translation of this manual, please contact your dealer or visit www.quadrafire.com

REMARQUE : Pour obtenir une traduction française de ce manuel, s'il vous plaît contacter votre revendeur ou visitez www.quadrafire.com



Safety Alert Key:

- **DANGER!** Indicates a hazardous situation which, if not avoided will result in death or serious injury.
- **WARNING!** Indicates a hazardous situation which, if not avoided could result in death or serious injury.
- **CAUTION!** Indicates a hazardous situation which, if not avoided, could result in minor or moderate injury.
- **NOTICE:** Indicates practices which may cause damage to the appliance or to property.

TABLE OF CONTENTS

1 Important Safety Information		4 Chimney Systems	
→ A. Appliance Safety Certification	3	A. Locating Your Appliance & Chimney	11
B. Appliance Emissions Certification	3	B. Chimney Termination Requirements	12
C. BTU & Efficiency Specifications	3	C. 2-10-3 Rule	12
D. Mobile Home Approved	4	D. Chimney Height / Rise and Run	13
E. Glass Specifications	4	E. Venting Components	13
F. Non-Combustible Materials	4	F. Chimney Systems	13
G. Combustible Materials	4	G. Installing Chimney Components	15
H. Sleeping Room	4	H. Proper Draft	15
I. California - Prop65	4	5 Appliance Set-Up	
2 Getting Started		A. Outside Air Kit Installation	16
A. Design and Installation Considerations	5	B. Door Handle Assembly	17
B. Fire Safety	5	C. Blower (Optional)	17
C. Negative Pressure	5	6 Mobile Home Installation	18
D. Tools And Supplies Needed	6	7 Reference Materials	
E. Inspection of Appliance and Components	6	A. Service & Maintenance Log	19
F. Removal of Appliance from Shipping Materials	6	B. Accessories	23
G. Install Checklist	7		
3 Dimensions and Clearances			
A. Appliance Dimensions	8		
B. Hearth Protection Requirements	9		
C. Clearances to Combustibles	10		

→ = Contains updated information

1 Important Safety Information

A. Appliance Safety Certification

Model Number:	31M-ACC-C
Laboratory:	OMNI Test Laboratories, Inc.
Report Number:	0061WS066S
Type:	Listed Room Appliance, Solid Fuel Type
Standard:	UL1482, ULC S627-00 and (UM) 84-HUD. Mobile Home Approved.

B. Appliance Emissions Certification

Model Number:	31M-ACC-C
Laboratory:	OMNI Test Laboratories, Inc.
Report Number:	0061WS066E
Standard:	ASTM E2515, ASTM E2780
Can be found at:	www.quadrafire.com/about-us/epa-certification

The 31M-ACC-C is Certified to comply with 2020 crib wood particulate emission standards.



This wood appliance needs periodic inspection and repair for proper operation. It is against federal regulations to operate this wood appliance in a manner inconsistent with operating instructions in this manual.

NOTE: This installation must conform with local codes. In the absence of local codes you must comply with **(UM) 84-HUD and NFPA211 in the U.S.A. and CAN/CSA-B365 Installation Codes in Canada.**

C. BTU & Efficiency Specifications

EPA Certification Number:	Number: 86-17
EPA Certified Emissions:	1.9 grams per hour
*LHV Tested Efficiency:	78.3%
**HHV Tested Efficiency:	72.5%
***EPA BTU Output:	13,900 to 29,100 / hr
****Peak BTU/Hour Output:	51,000
Vent Size:	6 inches
Firebox Size:	1.89 cubic feet
Recommended Log Length:	16 inches
Fuel:	Seasoned Cord Wood (20% moisture)
* Weighted average LHV (Low Heating Value) efficiency using Douglas Fir dimensional lumber and data collected during EPA emission tests in accordance with the requirements of CSA B415.1. LHV assumes the moisture is already in a vapor state so there is no loss in energy to vaporize.	
** Weighted average HHV (High Heating Value) efficiency using Douglas Fir dimensional lumber and data collected during EPA emission tests in accordance with the requirements of CSA B415.1. HHV includes the energy required to vaporize the water in the fuel.	
*** A range of BTU outputs calculated using HHV Efficiency and the burn rates from the EPA tests, using Douglas Fir dimensional lumber.	
**** A peak BTU out of the appliance calculated using the maximum first hour burn rate from the High EPA Test and BTU content of seasoned cordwood (8600) times the efficiency.	

D. Mobile Home Approved

- This appliance is approved for mobile home installations; when not installed in a sleeping room and when an outside combustion air inlet is provided.
- The structural integrity of the mobile home floor, ceiling, and walls must be maintained.
- The appliance must be properly grounded to the frame of the mobile home with #8 copper ground wire, and chimney must be listed to **UL103 HT or a listed UL-1777** full length six inch (152mm) diameter liner must be used
- Outside Air Kit, part OAK-ACC must be installed in a mobile home installation.

E. Glass Specifications

This appliance is equipped with 5mm ceramic glass. Replace glass only with 5mm ceramic glass. Please contact your dealer for replacement glass.

F. Non-Combustible Materials

Material which will not ignite and burn, composed of any combination of the following:

- Steel
- Plaster
- Brick
- Iron
- Concrete
- Tile
- Glass
- Slate

Materials reported as passing **ASTM E 136, Standard Test Method for Behavior of Metals, in a Vertical Tube Furnace of 750°C.**

G. Combustible Materials

Material made of/or surfaced with any of the following materials:

- Wood
- Compressed Paper
- Plant Fibers
- Plastic
- Plywood/OSB
- Sheet Rock (drywall)

Any material that can ignite and burn: flame proofed or not, plastered or non-plastered.

H. Sleeping Room

When installed in a sleeping room it is recommended that a smoke and/or CO alarm be installed in the bedroom. The size of the room must be at least 50ft³ per 1,000 Btu/hr stove input, if the stove exceeds the room size, outside air must be installed.

I. California - Prop65

WARNING

This product and the fuels used to operate this product (wood), and the products of combustion of such fuels, can expose you to chemicals including carbon black, which is known to the State of California to cause cancer, and carbon monoxide, which is known to the State of California to cause birth defects or other reproductive harm. For more information go to: WWW.P65Warnings.ca.gov

WARNING



Fire Risk

Hearth & Home Technologies disclaims any responsibility for, and the warranty will be voided by, the following actions:

- Installation and use of any damaged appliance.
- Modification of the appliance.
- Installation other than as instructed by Hearth & Home Technologies.
- Installation and/or use of any component part not approved by Hearth & Home Technologies.
- Operating appliance without fully assembling all components.
- Operating appliance without legs attached (if supplied with appliance).
- Do NOT Over fire - If appliance or chimney connector glows, you are over firing.

Any such action that may cause a fire hazard.

Improper installation, adjustment, alteration, service or maintenance can cause injury or property damage.

For assistance or additional information, consult a qualified installer, service agency or your dealer.

NOTE: Hearth & Home Technologies, manufacturer of this appliance, reserves the right to alter its products, their specifications and/or price without notice.

Hearth & Home Technologies WILL NOT warranty appliances that exhibit evidence of over-firing. Evidence of over-firing includes, but is not limited to:

- Warped air tube
- Deteriorated refractory brick retainers
- Deteriorated baffle and other interior components

2 Getting Started

A. Design and Installation Considerations

Consideration must be given to:

- Safety
- Convenience
- Traffic flow
- Chimney and chimney connector required

It is a good idea to plan your installation on paper, using exact measurements for clearances and floor protection, before actually beginning the installation. If you are not using an existing chimney, place the appliance where there will be a clear passage for a factory-built listed chimney through the ceiling and roof.

We recommend that a qualified building inspector and your insurance company representative review your plans before and after installation.

If this appliance is in an area where children may be near it is recommended that you purchase a decorative barrier to go in front of the appliance. Remember to always keep children away while it is operating and do not let anyone operate this appliance unless they are familiar with these operating instructions.



CAUTION

Check building codes prior to installation.

- Installation MUST comply with local, regional, state and national codes and regulations.
- Consult insurance carrier, local building, fire officials or authorities having jurisdiction about restrictions, installation inspection, and permits.



WARNING

Asphyxiation Risk.



- Do NOT connect this appliance to a chimney flue servicing another appliance.
- Do NOT connect to any air distribution duct or system.

May allow flue gases to enter the house.

NOTICE: Hearth & Home Technologies assumes no responsibility for the improper performance of the appliance system caused by:

- Inadequate draft due to environmental conditions
- Down drafts
- Tight sealing construction of the structure
- Mechanical exhausting devices
- Over drafting caused by excessive chimney heights
- Ideal performance is with height of chimney between 14-16 feet (4.26-4.88m) measured from the base of the appliance.

B. Fire Safety

To provide reasonable fire safety, the following should be given serious consideration:

1. Install at least one smoke detector on each floor of your home to ensure your safety. They should be located away from the heating appliance and close to the sleeping areas. Follow the smoke detector manufacturer's placement and installation instructions, and be sure to maintain regularly.
2. A conveniently located Class A fire extinguisher to contend with small fires resulting from burning embers.
3. A CO detector should be installed in the room with the appliance.
4. A practiced evacuation plan, consisting of at least two escape routes.
5. A plan to deal with a chimney fire as follows:
 - In the event of a chimney fire:
 - Evacuate the house immediately
 - Notify fire department.

C. Negative Pressure



WARNING



Asphyxiation Risk.

- Negative pressure can cause spillage of combustion fumes, soot and carbon monoxide.
- Appliance needs to draft properly for safety.



Negative pressure results from the imbalance of air available for the appliance to operate properly. It can be strongest in lower levels of the house.

Causes include:

- Exhaust fans (kitchen, bath, etc.)
- Range hoods
- Combustion air requirements for furnaces, water appliances and other combustion appliances
- Clothes dryers
- Location of return-air vents to furnace or air conditioning
- Imbalances of the HVAC air handling system
- Upper level air leaks such as:
 - Recessed lighting
 - Attic hatch
 - Duct leaks

To minimize the effects of negative air pressure:

- Install optional outside air kit with the intake facing prevailing winds during the heating season
- Ensure adequate outdoor air for all combustion appliances and exhaust equipment
- Ensure furnace and air conditioning return vents are not located in the immediate vicinity of the appliance
- Avoid installing the appliance near doors, walkways or small isolated spaces
- Recessed lighting should be a “sealed can” design
- Attic hatches weather stripped or sealed
- Attic mounted duct work and air handler joints and seams taped or sealed
- Basement installations should be avoided

 WARNING	
	Fire Risk. Hearth & Home Technologies disclaims any responsibility for, and the warranty will be voided by, the following actions:
	<ul style="list-style-type: none">• Installation and use of any damaged appliance.• Modification of the appliance.• Installation other than as instructed by Hearth & Home Technologies.• Installation and/or use of any component part not approved by Hearth & Home Technologies.• Operating appliance without fully assembling all components.• Operating appliance without legs attached (if supplied with appliance).• <u>Do NOT Over fire</u> - If appliance or chimney connector glows, you are over firing. Any such action that may cause a fire hazard.

D. Tools And Supplies Needed

Before beginning the installation be sure the following tools and building supplies are available:

- Reciprocating saw
- Framing material
- Pliers
- High temp caulking material
- Hammer
- Gloves
- Phillips screwdriver
- Framing square
- Flat blade screwdriver
- Electric drill and bits
- Plumb line
- Safety glasses
- Level
- Tape measure
- Misc. screws and nails
- 7/16 socket or wrench

1/2-3/4 in. length, #6 or #8 self-drilling screws

E. Inspection of Appliance and Components

- Remove appliance and components from packaging and inspect for damage.
- Report to your dealer any parts damaged in shipment.
- **Read all the instructions before starting the installation. Follow these instructions carefully during the installation to ensure maximum safety and benefit.**

F. Removal of Appliance from Shipping Materials

1. Remove box and 2x4 structural boards being careful not to damage product.
2. Using 7/16 socket or wrench remove one bolt located inside front part of appliance (**Figure 6.1**).
3. Moving to the back of the appliance and using 7/16 socket or wrench remove two bolts (**Figure 6.1**).
4. Carefully pull appliance off of pallet and put in desired location following **Hearth Pad Requirements** on [page 9](#) and **Clearance to Combustibles** on [pages 10](#).

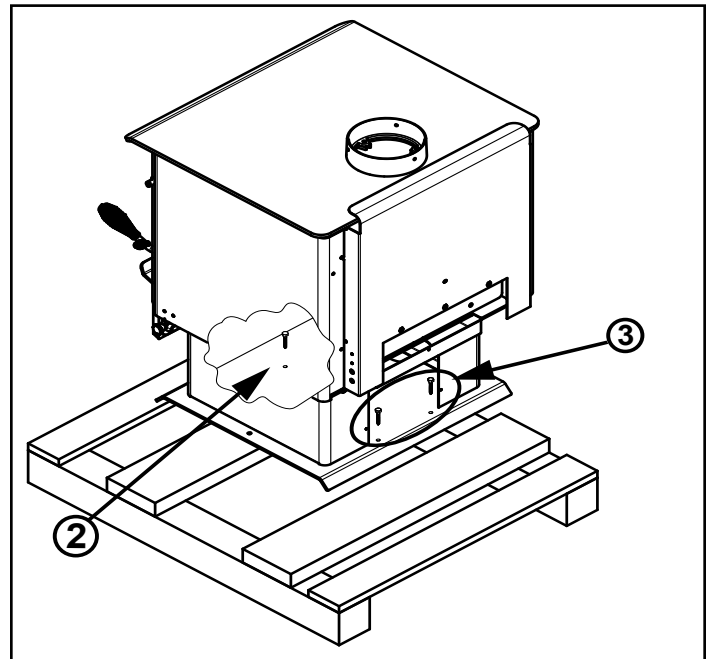




Figure 6.1

 WARNING	
	Fire Risk. Inspect appliance and components for damage. Damaged parts may impair safe operation.
	<ul style="list-style-type: none">• Do NOT install damaged components.• Do NOT install incomplete components.• Do NOT install substitute components. Report damaged parts to dealer.

G. Install Checklist

ATTENTION INSTALLER: Follow this Standard Work Checklist

This standard work checklist is to be used by the installer in conjunction with, not instead of, the instructions contained in this installation manual.

Customer: _____
 Date Installed: _____
 Lot / Address: _____
 Location of Appliance: _____
 Installer: _____
 Dealer / Distributor Phone #: _____
 Serial #: _____
 Model: _____

WARNING! Risk of Fire or Explosion! Failure to install appliance according to these instructions can lead to a fire or explosion.

Appliance Install

Verified clearances to combustibles.
 Appliance is leveled and connector is secured to appliance.
 Hearth extension size/height decided.
 Outside air kit installed.
 Floor protection requirements have been met.
 If appliance is connected to a masonry chimney, it should be cleaned and inspected by a professional. If installed to a factory built metal chimney, the chimney must be installed according to the manufacturer's instructions and clearances.

YES	IF NO, WHY?
<input type="checkbox"/>	_____
<input type="checkbox"/>	_____
<input type="checkbox"/>	_____
<input type="checkbox"/>	_____
<input type="checkbox"/>	_____

Chimney

Chimney configuration complies with diagrams.
 Chimney installed, locked and secured in place with proper clearance.
 Chimney meets recommended height requirements (14-16 feet).
 Roof flashing installed and sealed.
 Terminations installed and sealed.

<input type="checkbox"/>	_____
<input type="checkbox"/>	_____
<input type="checkbox"/>	_____
<input type="checkbox"/>	_____

Clearances

Combustible materials not installed in non-combustible areas.
 Verified all clearances meet installation manual requirements.
 Mantels and wall projections comply with installation manual requirements.
 Protective hearth strips and hearth extension installed per manual requirements.

<input type="checkbox"/>	_____
<input type="checkbox"/>	_____
<input type="checkbox"/>	_____

Appliance Setup

All packaging and protective materials removed.
 Firebrick, baffle and ceramic blanket installed correctly.
 All labels have been removed from the door.
 All packaging materials are removed from inside/under the appliance.
 Manual bag and all of its contents are removed from inside/under the appliance and given to the party responsible for use and operation.

<input type="checkbox"/>	_____
<input type="checkbox"/>	_____
<input type="checkbox"/>	_____

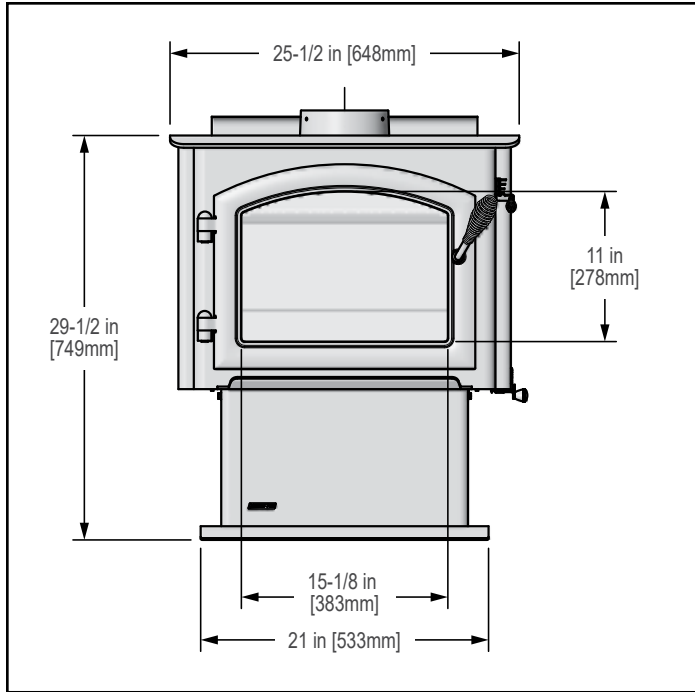
Hearth & Home Technologies recommends the following:

- Photographing the installation and copying this checklist for your file.
- That this checklist remain visible at all times on the appliance until the installation is complete.

Comments: Further description of the issues, who is responsible (Installer/Builder/Other Trades, etc.) and corrective action needed:
 Comments communicated to party responsible _____ by _____ on _____
(Builder / Gen. Contractor) (Installer) (Date)

3 Dimensions and Clearances

A. Appliance Dimensions



NOTE: Flue Collar size is 6 inch (152mm) diameter (ID)

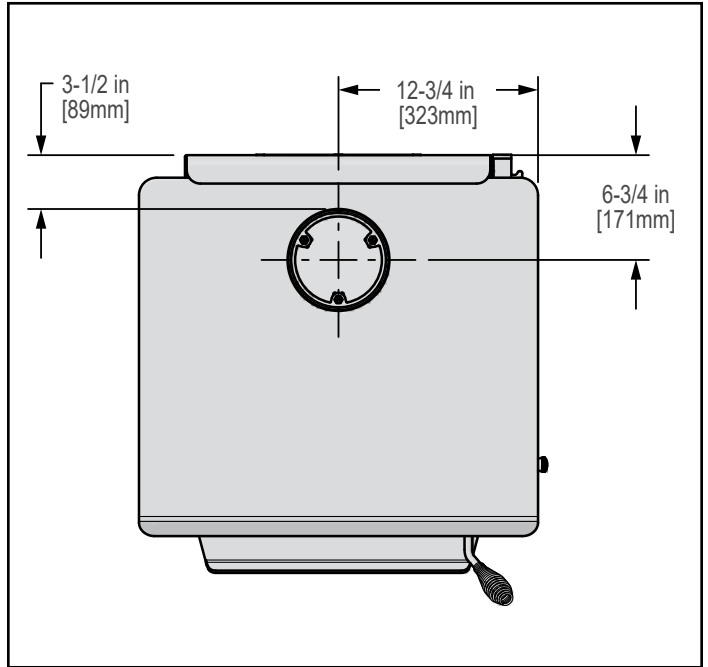


Figure 8.1 - Front View

Figure 8.2 - Top View

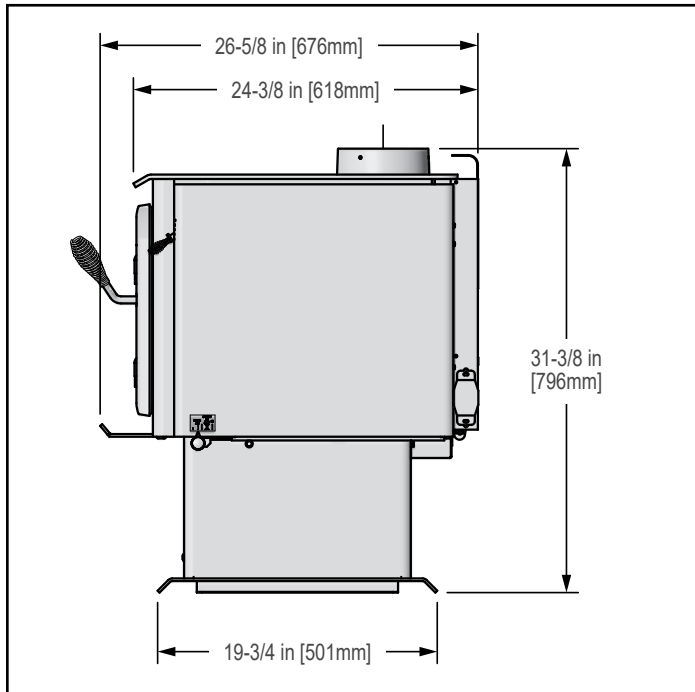


Figure 8.3 - Side View

B. Hearth Protection Requirements

EMBER PROTECTION: Ember protection shall be either a Type 1 floor protector or made of non-combustible material to the requirements below.

Floor protector must be non-combustible material, extending beneath appliance with a minimum of 16 inches (406mm) in front of glass and 8 inches (203mm) to both sides of the fuel loading door. Open the door and measure 8 inches (203mm) from the side edge of the opening in the face of the appliance. ***See Exception.**

In Canada, similar floor protection must be provided 18 inches (457mm) in front and 8 inches (203mm) from the sides and rear of the appliance unless the hearth pad is placed against the wall (**Figure 9.2**). Then the clearance may be reduced using double wall pipe and the **Clearance to Combustibles** table listed on [page 10](#).

***Exception:** Non-combustible floor protector must extend beneath the flue pipe when installed with horizontal venting and extend 2 inches (51mm) beyond each side (**Figure 9.2**).

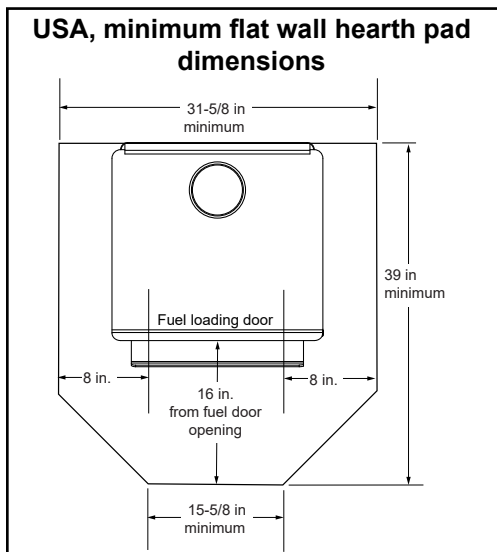


Figure 9.1

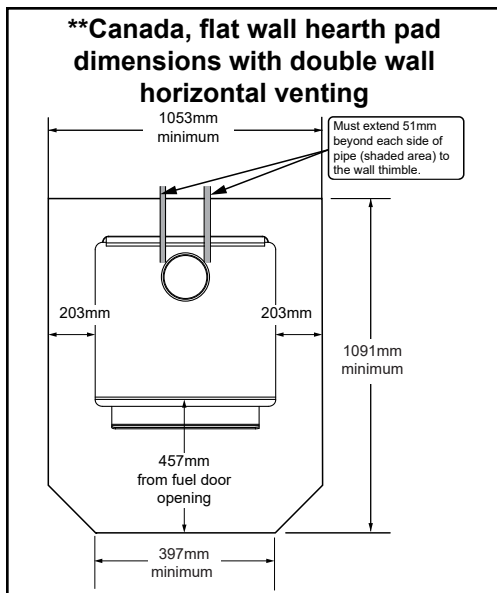


Figure 9.2 - **This dimension will vary depending installation.

CAUTION

Hearth and Home Technologies does not recommend adhesive based vinyl flooring due to thermal expansion. Floating-style flooring (LVP - luxury vinyl plank or LVT – luxury vinyl tile) can be used, but it will reach temperatures up to 110 °F in a room with ambient temperature of 70 °F. Consult flooring specifications to ensure compatibility.

When using LVP/LVT flooring, HHT Recommends wood stove and inserts have 57 inches of alternative flooring in front of the stove or insert before using LVP/LVT. Whether the stove or insert sits flush on the floor or is elevated on a raised hearth, 57 inches of alternative flooring is required in front of the stove or insert.

For all other flooring, continue to follow clearance to combustible requirements in the installation manual.

NOTICE: Clearances that do not meet the minimum guidelines could result in damage or buckling to the vinyl flooring and is done at the installer's risk.

WARNING

Fire Risk.

Hearth pads must be installed exactly as specified. High temperatures or hot embers may ignite concealed combustibles.

Corner hearth pad dimensions with single wall pipe

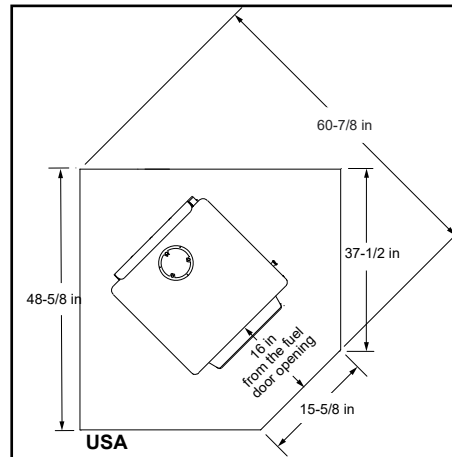


Figure 9.3

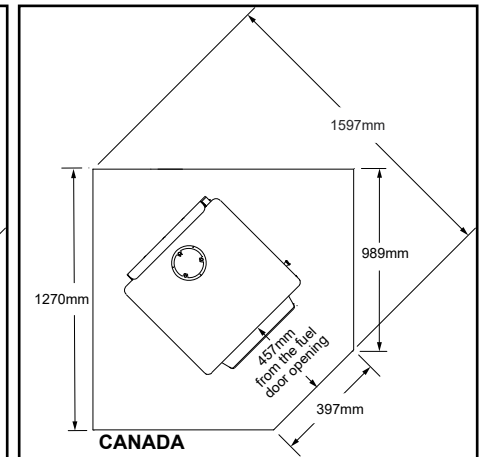


Figure 9.5

Corner hearth pad dimensions with double wall pipe

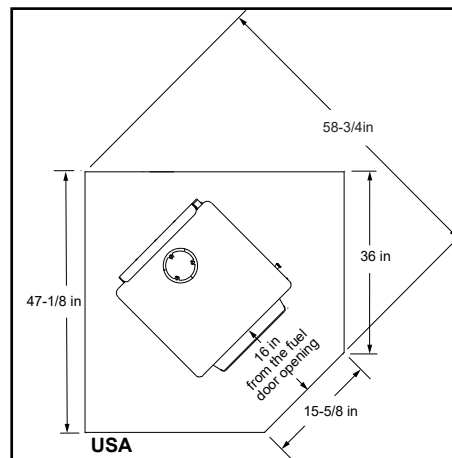


Figure 9.4

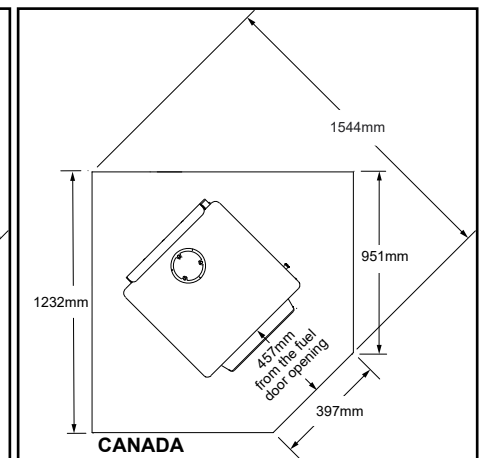


Figure 9.6

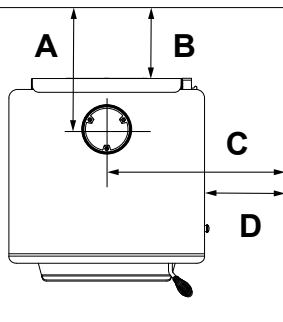
C. Clearances to Combustibles

Note: If mantle clearance specifications are not listed or to reduce mantle clearances you can follow NFPA211 regulations to assure safe installation of this product. Please consult with your local building inspector before attempting any clearance reductions.

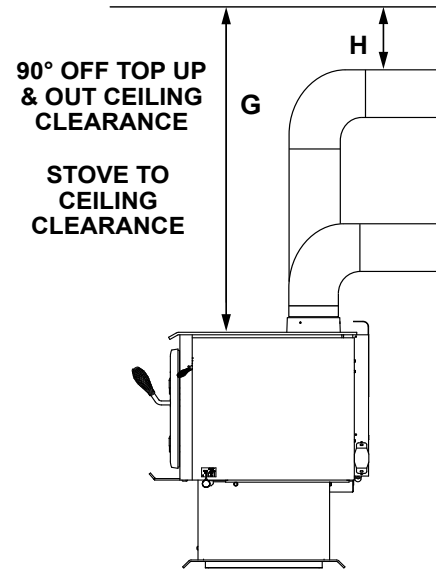
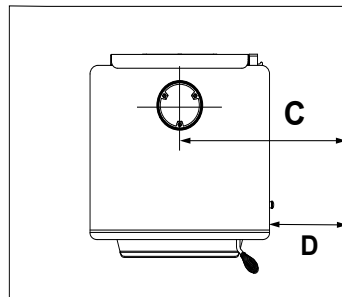
MINIMUM CLEARANCES TO COMBUSTIBLE MATERIALS IN INCHES (MILLIMETERS)								
NOTE: A, C, AND F DIMENSIONS ARE TO THE CENTER OF THE FLUE COLLAR								
31M-ACC-C WOOD APPLIANCE (2020)								
	A	B	C	D	E	F	G	H
INSTALLATION: FULL VERTICAL								
SINGLE WALL PIPE								
31M-ACC-C	18-1/4 (464)	11-3/4 (298)	28-1/2 (724)	16 (406)	8 (203)	20 (208)	48 (1220)	12 (305)
DOUBLE WALL PIPE								
31M-ACC-C	13-1/2 (343)	6-1/2 (165)	25 (635)	13 (330)	6-1/2 (165)	18-1/2 (470)	48 (1220)	9 (229)
INSTALLATION: 90 DEGREE ELBOW OFF TOP OF APPLIANCE THROUGH BACKWALL								
SINGLE WALL PIPE								
31M-ACC-C	15 (381)	8-1/2 (216)	25 (635)	13 (330)	8 (203)	20 (508)	48 (1220)	12 (305)
DOUBLE WALL PIPE								
31M-ACC-C	11 (279)	4-1/2 (114)	20-1/2 (521)	8-1/2 (216)	6-1/2 (165)	18-1/2 (470)	48 (1220)	9 (229)
INSTALLATION: ALCOVE								
DOUBLE WALL PIPE								
31M-ACC-C	14-3/4 (375)	8-1/4 (210)	26-1/2 (673)	14-1/2 (368)	N/A	N/A	48 (1220)	N/A
<p>For alcove only: Six inch diameter listed Double wall air insulated connector pipe with UL103 HT listed factory built Class A chimney or masonry chimney. Maximum depth of Alcove shall be no more than 48 inches (1219mm) and the referenced alcove clearances. Canada must comply with CAN/ULC-S269 M87 for the 650° factory built chimney.</p>								
* FOLLOW PIPE MANUFACTURES CLEARANCES AS REQUIRED								

Table 10.1

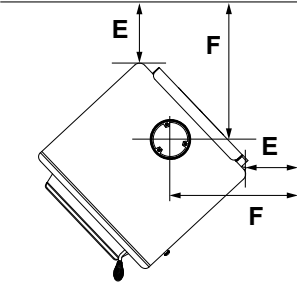
BACKWALL / SIDEWALL



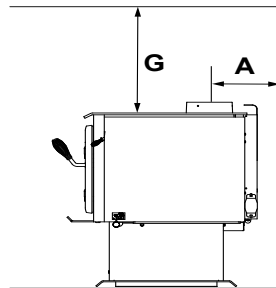
ALCOVE TOP VIEW



CORNER INSTALLATION



ALCOVE SIDE VIEW



NOTE: Clearances may only be reduced by means approved by the regulatory authority having jurisdiction.

NOTE: Service Space

In order to replace the tube channel assembly a clearance of 19 inches (483mm) is required on the right side of appliance in order to remove the tubes with the appliance in place. If space is not available, the appliance will have to be disconnected from the chimney to proceed with the tube replacement.



WARNING



Fire Risk.

- Comply with all minimum clearances to combustibles as specified.
- Failure to comply may cause house fire.

4 Chimney Systems

A. Locating Your Appliance & Chimney

Location of the appliance and chimney will affect performance. As shown in **Figure 11.1** the chimney should:

- Install through the warm space enclosed by the building envelope. This helps to produce more draft, especially during lighting and die down of the fire.
- Penetrate the highest part of the roof. This minimizes the affects of wind turbulence and down drafts.

- Consider the appliance location in order to avoid floor and ceiling attic joists and rafters.
- Locate termination cap away from trees, adjacent structures, uneven roof lines and other obstructions.

Your local dealer is the expert in your geographic area and can usually make suggestions or discover solutions that will easily correct your flue problem.

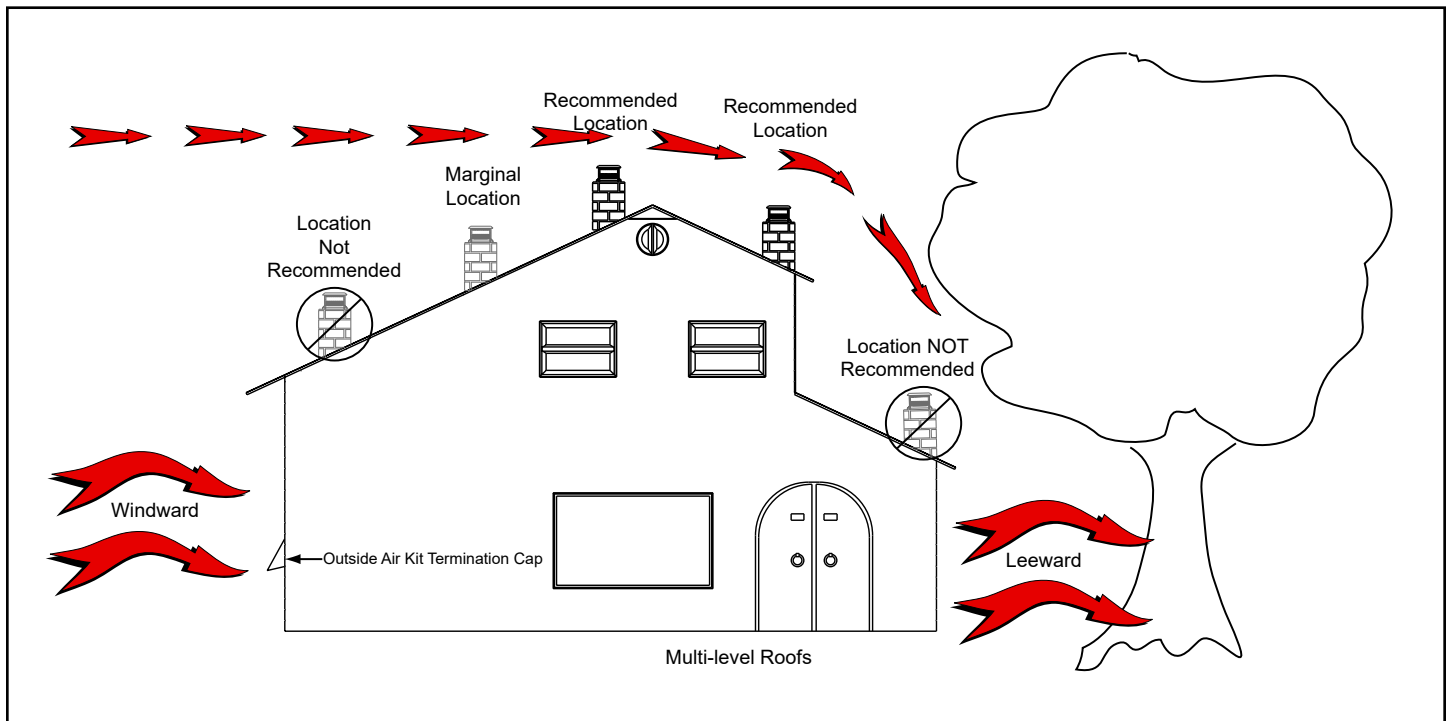


Figure 11.1

B. Chimney Termination Requirements

Follow manufacturer's instructions for clearance, securing flashing and terminating the chimney (**Figure 12.1 and Figure 12.2**).

- Must have an approved and Listed cap
- Must not be located where it will become plugged by snow or other material
- Must terminate at least 3 feet (91cm) above the roof **and** at least 2 feet (61cm) above any portion of the roof within 10 feet (305cm).
- Must be located away from trees or other structures

NOTICE:

- Chimney performance may vary.
- Trees, buildings, roof lines and wind conditions affect performance.
- Chimney height may need adjustment if smoking or overdraft occurs.

NOTICE: Locating the appliance in a basement or in a location of considerable air movement can cause intermittent smoke spillage from appliance. Do not locate appliance near

- Frequently open doors
- Central heat outlets or returns

C. 2-10-3 Rule

These are safety requirements and are not meant to assure proper flue draft.

This appliance is made with a 6 inch (152mm) diameter chimney connector as the flue collar on the appliance.

- Changing the diameter of the chimney can affect draft and cause poor performance.
- It is not recommended to use offsets and elbows at altitudes above 4000 feet above sea level and or when there are other factors that affect flue draft.

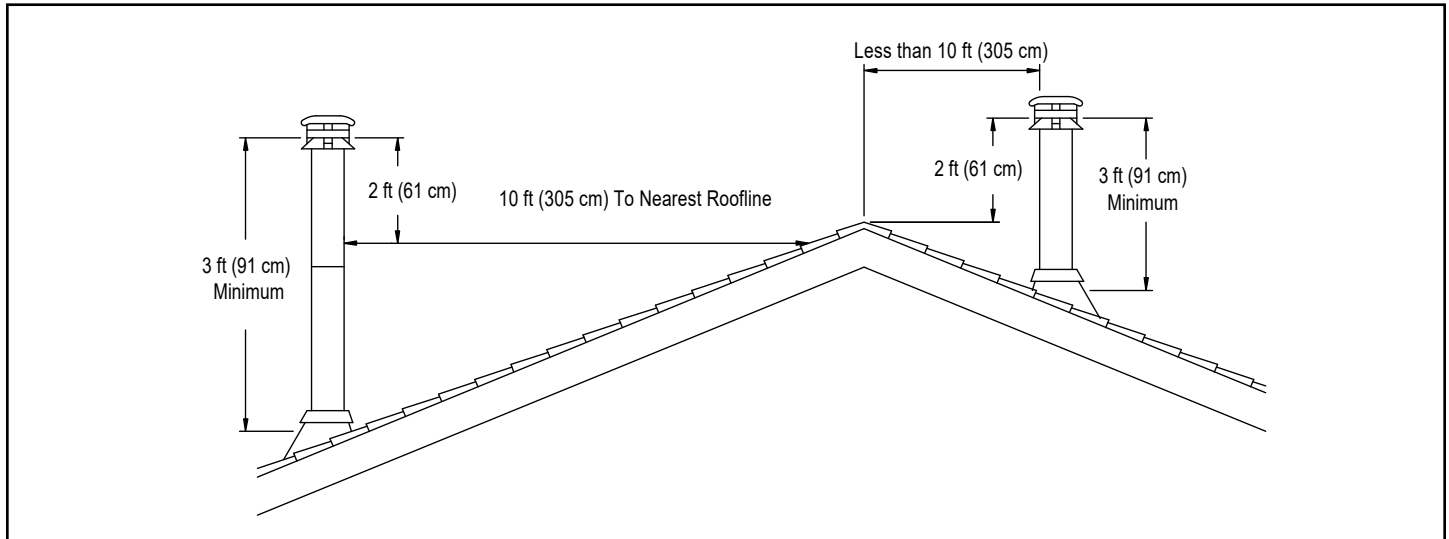


Figure 12.1

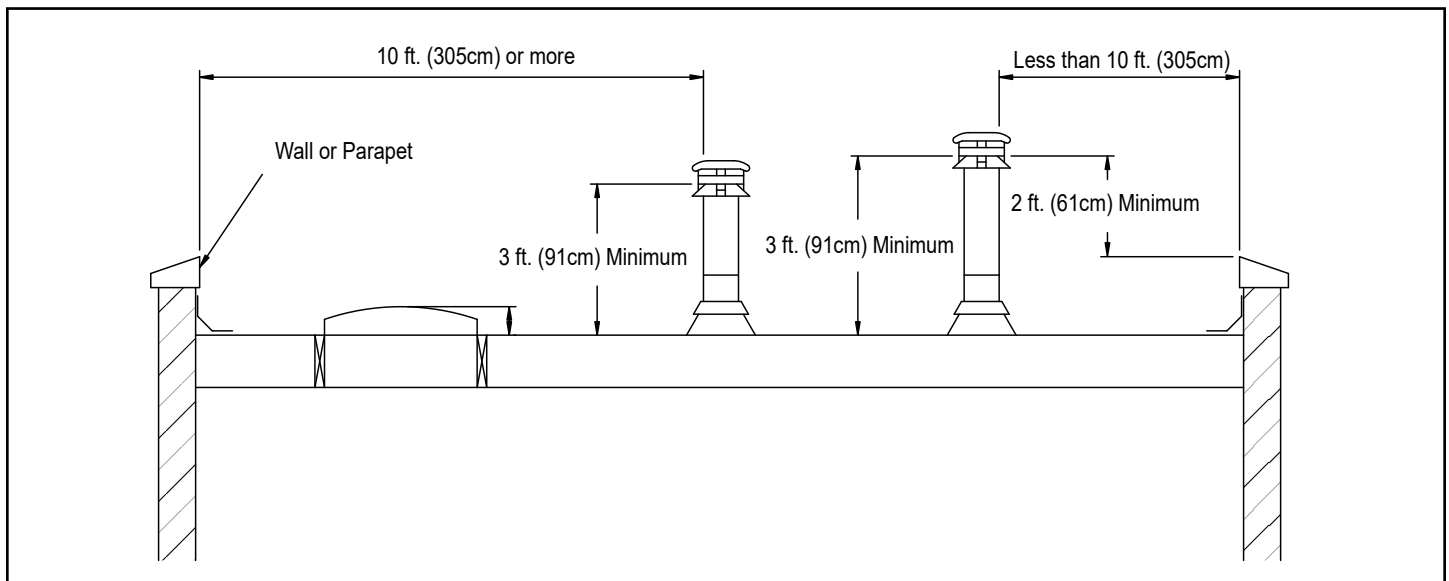






Figure 12.2


D. Chimney Height / Rise and Run

This product was designed for and tested on a 6 inch (152mm) chimney, 14 to 16 feet (420-480cm) high, (includes appliance height) measured from the base of the appliance. The further your stack height or diameter varies from this configuration, the greater the likelihood it may affect performance.

Chimney height may need to be increased by 2 - 3% per each 1000 feet above sea level. It is not recommended to use offsets or elbows at altitudes above 4000 feet above sea level or when there are other factors that affect flue draft.

	WARNING
	<p>Fire Risk. Inspection of Chimney:</p> <ul style="list-style-type: none"> Chimney must be in good condition. Meets minimum standard of NFPA 211 Factory-built chimney must be 6 inch (152mm) UL103 HT.

	WARNING
	<p>Asphyxiation Risk.</p> <ul style="list-style-type: none"> DO NOT CONNECT THIS APPLIANCE TO A CHIMNEY FLUE SERVICING ANOTHER APPLIANCE. DO NOT CONNECT TO ANY AIR DISTRIBUTION DUCT OR SYSTEM. <p>May allow flue gases to enter the house.</p>

	WARNING
<p>Improper installation, adjustment, alteration, service or maintenance can cause injury or property damage. Refer to the owner's information manual provided with this appliance. For assistance or additional information consult a qualified installer, service agency or your dealer.</p>	

E. Venting Components

Chimney Connector:

It is also known as flue pipe or appliance pipe. The chimney connector joins the appliance to the chimney. It must be a 6 inch (152mm) minimum diameter 24 gauge mild steel black or 26 gauge blued steel, or an approved air-insulated double wall venting pipe.

Thimble:

A manufactured or site-constructed device installed in combustible walls through which the chimney connector passes to the chimney. It is intended to keep the walls from igniting. Site constructed thimbles must meet **NFPA 211 Standards**. Prefabricated must be suitable for use with selected chimney and meet **UL103 Type HT Standards**. Follow instructions provided by the manufacturer for manufactured thimbles for masonry chimney and prefabricated chimneys.

Chimney:

The chimney can be new or existing, masonry or prefabricated and must meet the following minimum requirements and as specified in **Chimney Systems** on [page 13](#).

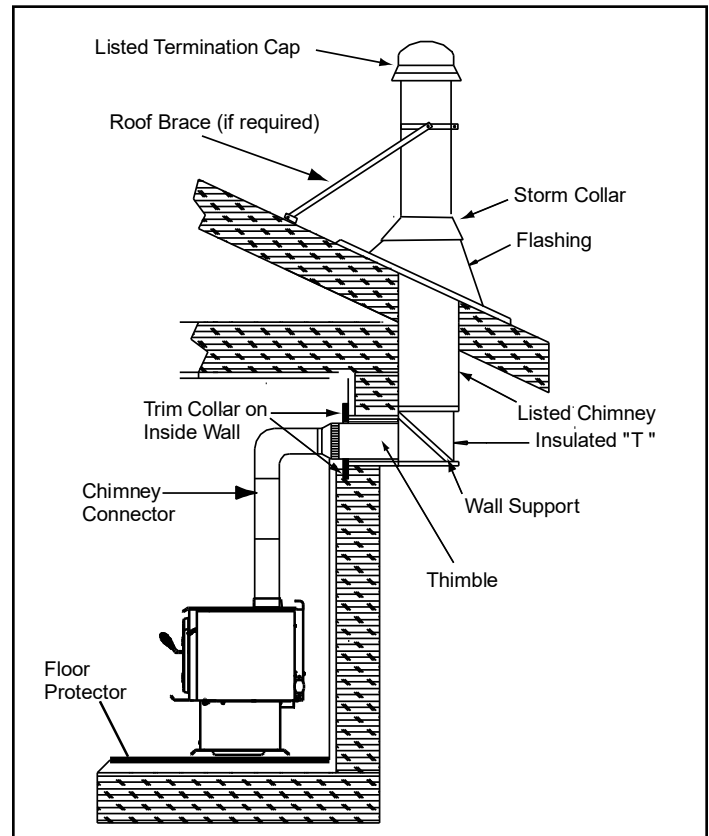


Figure 13.1 - Prefabricated Exterior Chimney

F. Chimney Systems

Prefabricated Metal Chimney

- Must be minimum 6 inch (152mm) diameter (ID) high temperature chimney listed to **UL 103 HT (2100°F)** or **ULC S629M**.
- Must use components required by the manufacturer for installation.
- Must maintain clearances required by the manufacturer for installation.
- Refer to manufacturers instructions for installation.

NOTE: In Canada when using a factory-built chimney it must be safety listed, **Type UL103 HT (2100°F) CLASS "A"** or conforming to **CAN/ULC-S629M, STANDARD FOR 650°C FACTORY-BUILT CHIMNEYS**.

Thimble

Site constructed for masonry chimney installation:

Components

A minimum length of 12 inches [305mm] (longer for thicker walls) of solid insulated factory-built chimney length constructed to **UL 103 Type HT 6** inch (152mm) inside diameter. Chimney needs to extend a minimum of 2 inches (51mm) from the interior wall and a minimum of 1 inch (25mm) from the exterior wall.

Wall spacer, trim collar and wall band to fit solid pack chimney selected.

Minimum 8 inch (203mm) diameter clay liner section (if not already present in chimney) and refractory mortar.

When jurisdiction requires install approved chimney liner in masonry chimney.

Air Clearances

- Masonry chimney clearance must meet **NFPA 211** minimum requirement of 2 inches (51mm) to sheet metal supports and combustibles.
- Minimum of 1 inch (25mm) clearance around the chimney connector.
- Top of wall opening is a minimum of 13-1/2 inches (343mm) from ceiling or 4-1/2 inches (114mm) below minimum clearance specified by chimney connector manufacturer. **NFPA 211** minimum vertical clearance of 18 inches (457mm) from chimney connector and ceiling or minimum recommended by chimney connector manufacturer (**Figure 14.2**).

Instructions:

1. Open inside wall at proper height for the chimney connector to entry the masonry chimney (**Figure 14.2**).
2. Entry hole to masonry chimney must be lined with an 8 inch (203mm) minimum diameter clay liner, or equivalent, secured with refractory mortar.
3. Construct a 17 inch x 17 inch (432mm x 432mm) outside dimension frame from 2 x 2 framing lumber to fit into wall opening. Inside opening of frame should be no less than 14 inch x 14 inch (356mm x 356mm) (**Figure 14.2**).
4. Attach the wall spacer to the chimney side of the frame.
5. Nail the frame into the wall opening. The spacer should be on the chimney side.
6. Insert the section of the solid insulated chimney into the outer wall of the masonry chimney.
7. Tightly secure the length of the solid insulated chimney with the wall band to the masonry chimney.
8. Insert a section of chimney connector into the chimney. Make sure it does not protrude past the edge of the clay chimney liner inside the chimney.
9. Seal the end of the chimney connector to the clay liner with refractory mortar.
10. Install trim collar around the solid pack chimney section.

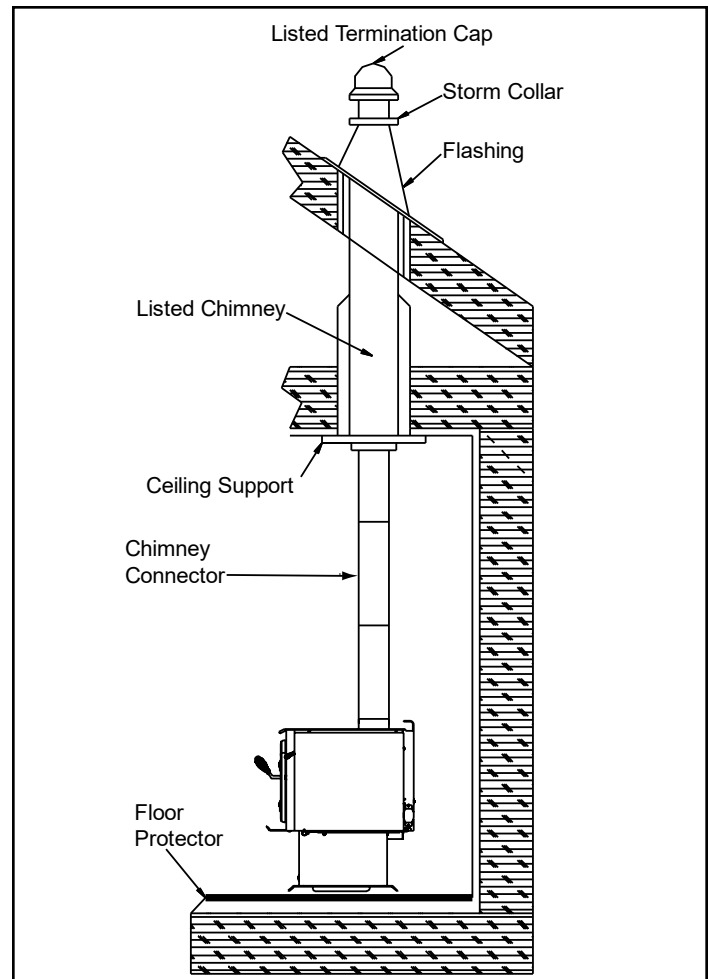


Figure 14.1 - Prefabricated Interior Chimney

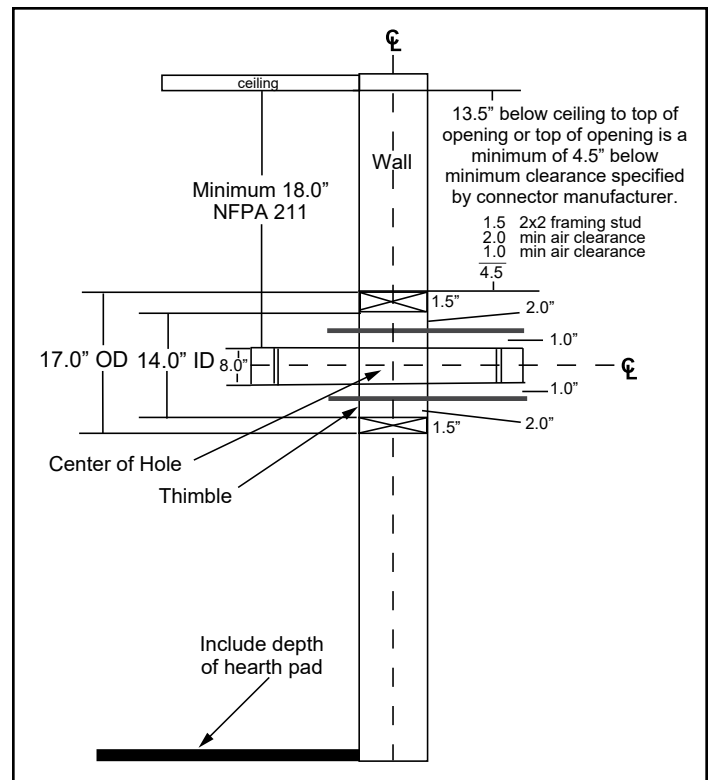


Figure 14.2

Solid Pack Chimney with Metal Supports as a Thimble

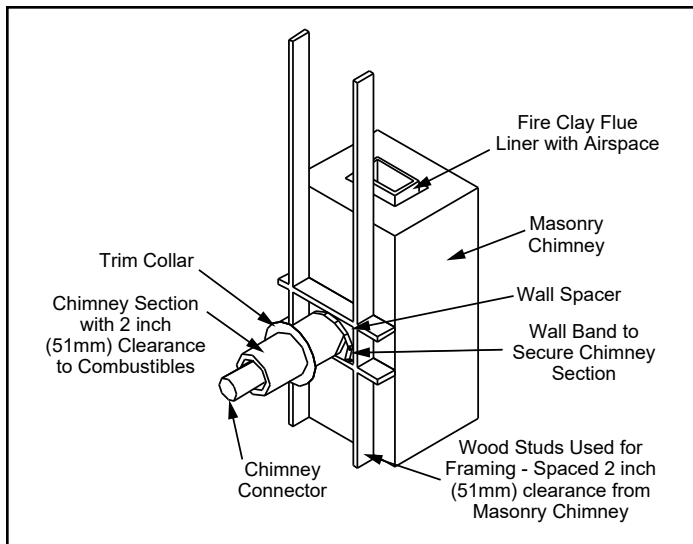


Figure 15.1

WARNING

Fire Risk.
Do NOT pack insulation or other combustibles between spacers.

- ALWAYS maintain specified clearances around venting and spacers.
- Install spacers as specified.

Failure to keep insulation or other material away from vent pipe may cause fire.

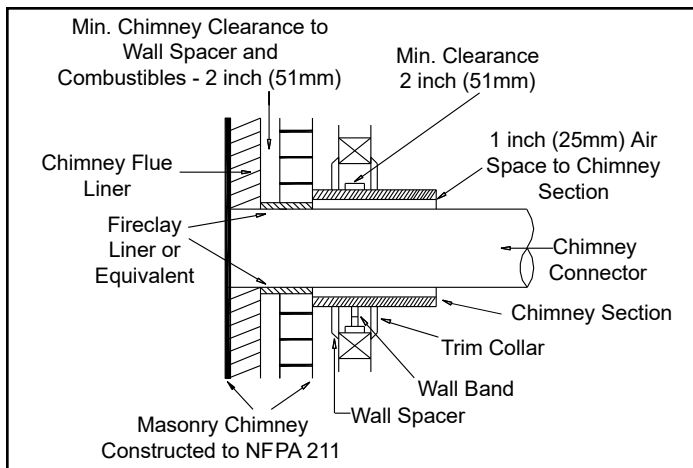


Figure 15.2

G. Installing Chimney Components

Chimney Connector

Single wall connector or appliance pipe.

This must be at least 24 gauge mild steel or 26 gauge blue steel. The sections must be attached to the appliance and to each other with the crimped (male) end pointing toward the appliance. All joints, including the connection at the flue collar, should be secured with 3 sheet metal screws. Make sure to follow the minimum clearances to combustibles. Where passage through the wall, or partition of combustible construction is desired in Canada, the installation shall conform to **CAN/CSA-B365**.

Factory-built listed chimney connector (vented).

A listed connector (vented) must be used when installing this appliance in a mobile home. The listed connectors must conform to each other to ensure a proper fit and seal.

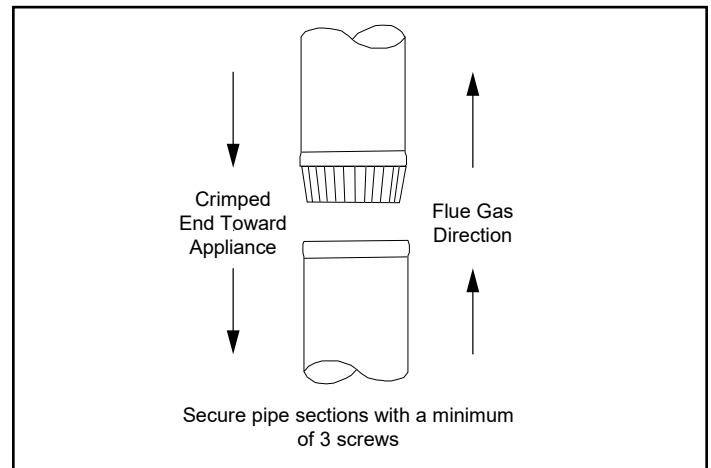


Figure 15.3 - Chimney Connector (Appliance Pipe)

WARNING

Fire Risk.
Follow Chimney Connector Manufacturer's Instructions for Proper Installation.

ONLY use connector:

- Within the room, between appliance and ceiling or wall.

Connector shall NOT pass through:

- Attic or roof space
- Closet or similar concealed space
- Floor or ceiling

Maintain minimum clearances to combustibles

H. Proper Draft

To be sure that your Quadra-Fire appliance burns properly, the chimney draft (static pressure) should be approximately -0.10 inches water column (W.C.) during a high burn and -0.04 inches W.C. during a low burn, measured 6 inches (152mm) above the top of the appliance after one hour of operation at each burn setting.

5 Appliance Set-Up

A. Outside Air Kit Installation

A source of air (oxygen) is necessary in order for combustion to take place. Whatever combustion air is consumed by the fire must be replaced. Air is replaced via air leakage around windows and under doors. In homes that have tightly sealed doors and windows, an outside air source is needed. An optional Outside Air Kit is available.

Items Needed for Installation (not supplied)

- 4 inch flex aluminum pipe, or if using alternate material, then it shall be made from durable, non-combustible, heat resistant material up to 350°F. Cut the pipe to the required length for your installation.
- Phillips head screw driver
- Silicone sealant
- Drills and saws necessary for cutting holes through the wall or flooring in your home.

1. Remove all materials from packing box.
2. Using a #2 Phillips screw driver attach the flex adapter to the appliance using 4 screws (**Figure 16.1**).
3. For floor installations, remove circular "knock-out" in the base of the pedestal.
4. **Floor & Rear Installation:**

Cut a 4 inch (102mm) hole in outside wall or floor to accommodate outside air piping. Use 4 inch (102mm) aluminum metal flex or rigid piping to directly connect outside air to appliance intake. Use the supplied termination cap with a rodent screen. Seal between the wall (or floor) and the pipe with silicone to prevent moisture penetration.

5. Floor Installation Alternative:

In some instances you may not be able to install the flex pipe as show in **Figure 16.1**. If that is the case, you will need to order SRV7033-041 which includes a cover plate and sealing rope as shown in **Figure 16.2**. The goal is to seal the pedestal so no room air can leak into the pedestal or for cold air infiltration.

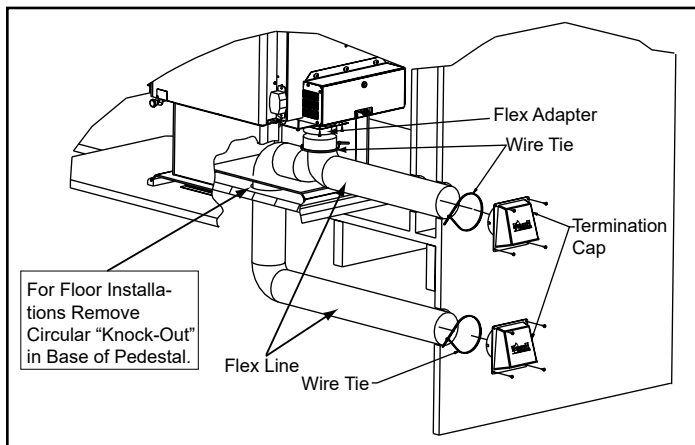


Figure 16.1 - Floor & Rear Installation

WARNING

Fire Risk. Asphyxiation Risk.
Do not draw outside combustion air from:

- Wall, floor or ceiling cavity
- Enclosed space such as an attic or garage
- Close proximity to exhaust vents or chimneys

Fumes or odor may result

WARNING

Asphyxiation Risk.
Outside air inlet must be located to prevent blockage from:

- Leaves
- Snow or ice
- Other debris

Block may cause combustion air starvation
Smoke spillage may set off alarms or irritate sensitive individuals.

WARNING

Asphyxiation Risk.
Length of outside air supply duct shall NOT exceed the length of the vertical height of the exhaust flue.

- Fire will not burn properly
- Smoke spillage occurs when door is opened due to air starvation.

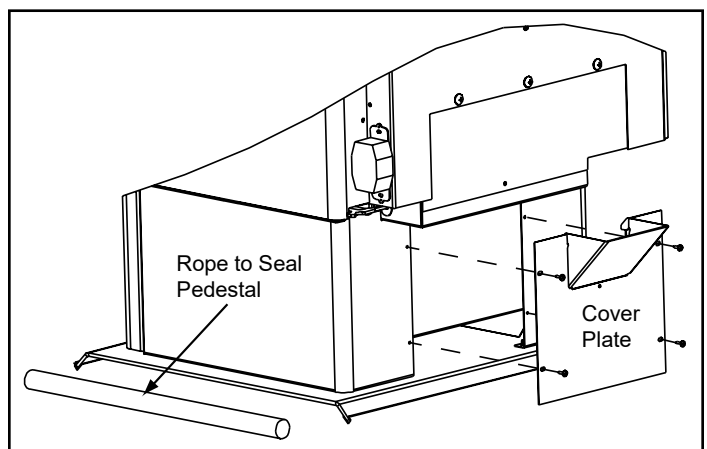


Figure 16.2 - Floor Installation Alternative

B. Door Handle Assembly

Install spring handle using a counter-clockwise motion until the spring handle has a 2 inch clearance from bend of door hand rod (**Figure 17.1**).

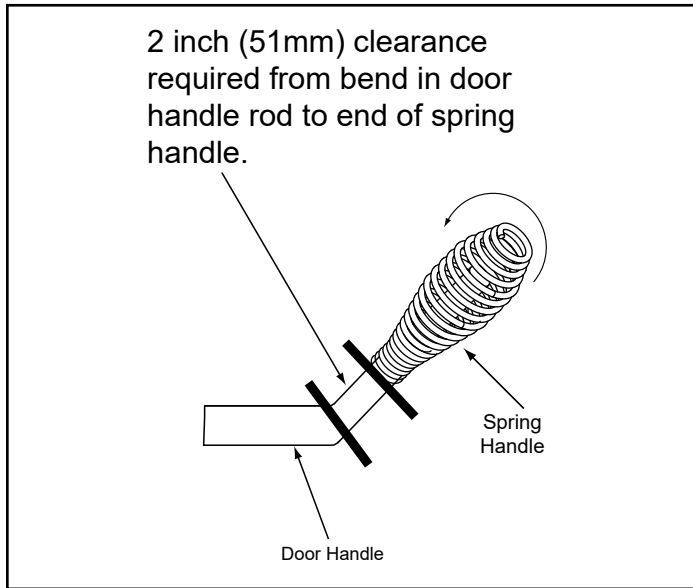


Figure 17.1

C. Blower (Optional)

1. Locate bolts supplied with the blower.
2. Align holes in mounting flange of blower with bolt holes in appliance. Blower should be positioned at bottom of rear outer skin as shown in **Figure 17.2**.
3. Re-insert and tighten bolts, securing blower onto outer wall of appliance.
4. Place the bracket containing the snap disc and magnet under the bottom left rear corner.

See Owner's Manual for detailed operating instructions for the blower and snap disc.

CAUTION

Shock Risk.

- Do NOT remove grounding prong from plug.
- Route cord away from appliance.
- Do NOT route cord under or in front of appliance.
- Plug directly into properly grounded 3 prong receptacle.

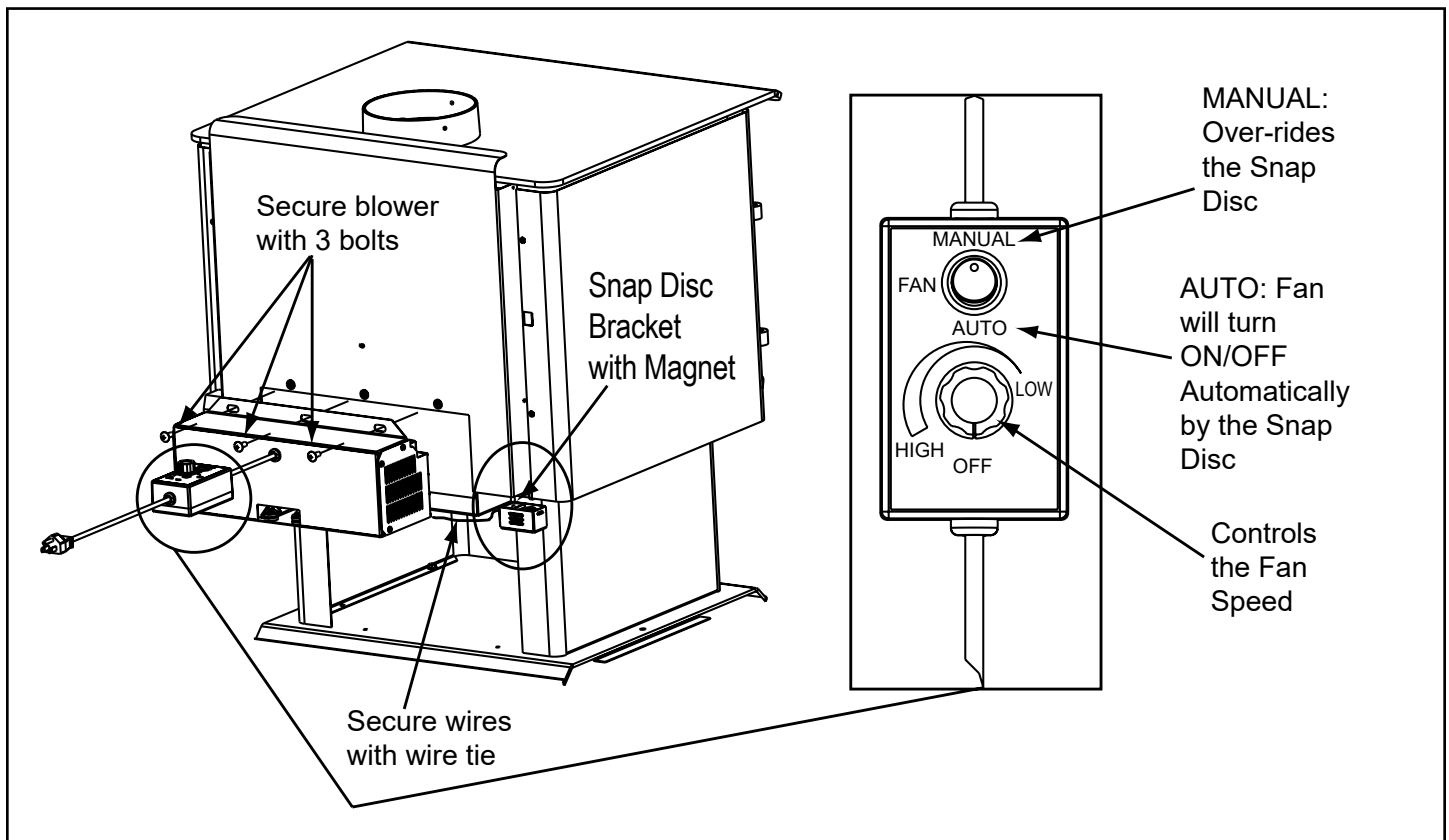


Figure 17.2

6 Mobile Home Installation

You must use a Quadra-Fire Outside Air Kit Part OAK-ACC and (depending on floor installation), Part SRV7033-041 for installation in a mobile home.

1. An outside air inlet must be provided for combustion (see [page 16](#) for installation information).
2. Appliance must be secured to the mobile home structure by bolting the pedestal through hearth pad and into floor.
3. Appliance must be grounded with #8 solid copper grounding wire or equivalent and terminated at each end with N.E.C. approved grounding device.
4. Appliance must be installed with an approved **UL103 HT ventilated chimney connector, UL103 HT chimney, and terminal cap with spark arrestor**. Never use a single wall connector (appliance pipe) in a mobile home installation. Use only double-wall connector pipe, Dura-Vent DVL, Selkirk Metalbestos DS or Security DL double-wall connector or any listed double-wall connector pipe.
5. In Canada, this appliance must be connected to a 6 inch (152mm) factory-built chimney conforming to **CAN/ULC-629M, STANDARD FOR FACTORY BUILT CHIMNEYS**.
6. Follow the chimney and chimney connector manufacturer's instructions when installing the flue system for use in a mobile home.
7. Maintain clearance to combustibles.
8. Floor protection requirements must be followed precisely.
9. Use silicone to create an effective vapor barrier at the location where the chimney or other component penetrates to the exterior of the structure.

NOTE: Offsets from the vertical, not exceeding 45°, are allowed per **Section 905(a) of the Uniform Mechanical Code (UMC)**. Offsets greater than 45° are considered horizontal and are also allowed, providing the horizontal run does not exceed 75% of the vertical height of the vent. Construction, clearance and termination must be in compliance with the **UMC Table 9C**. This installation must also comply with **NFPA 211**.

NOTE: Top sections of chimney must be removable to allow maximum clearance of 13.5 feet (411cm) from ground level for transportation purposes.

10. Burn wood only. Other types of fuels may generate poisonous gases (e.g., carbon monoxide).
11. If appliance burns poorly while an exhaust blower is on in home, (i.e., range hood), increase combustion air.
12. Installation shall be in accordance with the **Manufacturers Home & Safety Standard (HUD) CFR 3280, Part 24**.



CAUTION

THE STRUCTURAL INTEGRITY OF THE MOBILE HOME FLOOR, WALL AND CEILING/ROOF MUST BE MAINTAINED

Do NOT cut through:

- Floor joist, wall, studs or ceiling trusses.
- Any supporting material that would affect the structural integrity.



WARNING



Asphyxiation Risk.

NEVER INSTALL IN A SLEEPING ROOM.
Consumes oxygen in the room.



WARNING



Fire Risk.

Do Not use single wall connector pipe anywhere in a mobile home installation.

7 Reference Materials

A. Service & Maintenance Log

Date of Service	Performed By	Description of Service

Date of Service	Performed By	Description of Service

B. Accessories

Beginning Manufacturing Date: June 2017
Ending Manufacturing Date: Active

IMPORTANT: THIS IS DATED INFORMATION. Parts must be ordered from a dealer or distributor. **Hearth and Home Technologies does not sell directly to consumers.** Provide model number and serial number when requesting service parts from your dealer or distributor.



**Stocked
at Depot**

ITEM	DESCRIPTION	COMMENTS	PART NUMBER	
ACCESSORIES				
	Blower Assembly		BK-ACC	
	Blower, Convection - Replacement Blower		812-4900	Y
	Blower Control Box w/Switch		SRV7000-194	Y
	Component Pack		7033-051	
	Snap Disc Bracket Assembly		SRV7033-036	
	Snap Disc, # 1, Convection Blower		SRV230-0470	Y
	Wire Harness, Blower		7033-262	
	Outside Air Kit, Floor & Rear		OAK-ACC	
	Outside Air Collar Assembly		SRV7033-039	
	Outside Air Shield		SRV33271	Y
	Outside Air Cover Plate Assembly		SRV7033-041	Y
	Upgrade, Door, Nickel		UK-DRNL	
FASTENERS				
	Avk Rivnut Repair Kit - 1/4-20 & 3/8-16 Rivnut Tools		RIVNUT-REPAIR	Y
	Bolt, Hex Head, 1/4-20 x 1	Pkg of 10	25221A/10	Y
	Button Head 1/4-20 x .5	Pkg of 20	32328/20	Y
	Nut, Keps Lock, 10-32	Pkg of 40	226-0050/40	Y
	Nut, Keps Lock, 8-32	Pkg of 40	226-0060/40	Y
	Nut, Ser Flange Small 1/4-20	Pkg of 24	226-0130/24	Y
	Screw, Sheet Metal #8 x 1/2 S-Grip	Pkg of 40	12460/40	Y
	Washer, 1/4 Sae	Pkg of 24	28758/24	Y

QUADRA-FIRE®

NOTHING BURNS LIKE A QUAD

CONTACT INFORMATION

Hearth & Home Technologies
352 Mountain House Road
Halifax, PA 17032
Division of HNI INDUSTRIES

Please contact your Quadra-Fire dealer with any questions or concerns.
For the number of your nearest Quadra-Fire dealer
log onto www.quadrafire.com



CAUTION



DO NOT DISCARD THIS MANUAL

- Important operating and maintenance instructions included.
- Read, understand and follow these instructions for safe installation and operation.
- Leave this manual with party responsible for use and operation of this appliance.



We recommend that you record the following pertinent information for your heating appliance.

Date purchased/installed: _____

Serial Number: _____

Location on appliance: _____

Dealership purchased from: _____

Dealer Phone: 1() -

Notes:

This product may be covered by one or more of the following patents: (United States) 5341794, 5263471, 6688302, 7216645, 7047962 or other U.S. and foreign patents pending.



HEARTH & HOME
technologies™