



heatilator®

The first name in fireplaces



Accelerator

Wood-Burning Fireplaces

The Accelerator features meticulous craftsmanship for robust fires and an impressive appearance. Multiple doors and traditional or herringbone brick panels add individual style to the Accelerator's valued performance.

Right: A36R shown with bi-fold doors and traditional refractory
Front: A42C shown with gasketed doors and traditional refractory

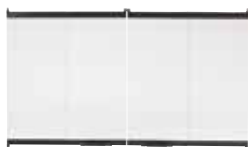


Features

- 36" or 42" viewing areas
- Radiant or heat-circulating options

Options

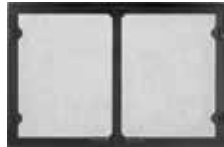
Doors



Bi-Fold Doors



Gasketed Doors¹
(for A36C & A42C only)



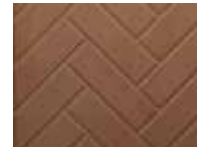
Vista Doors

Gas Logs



Fireside Gas Logs

Interiors



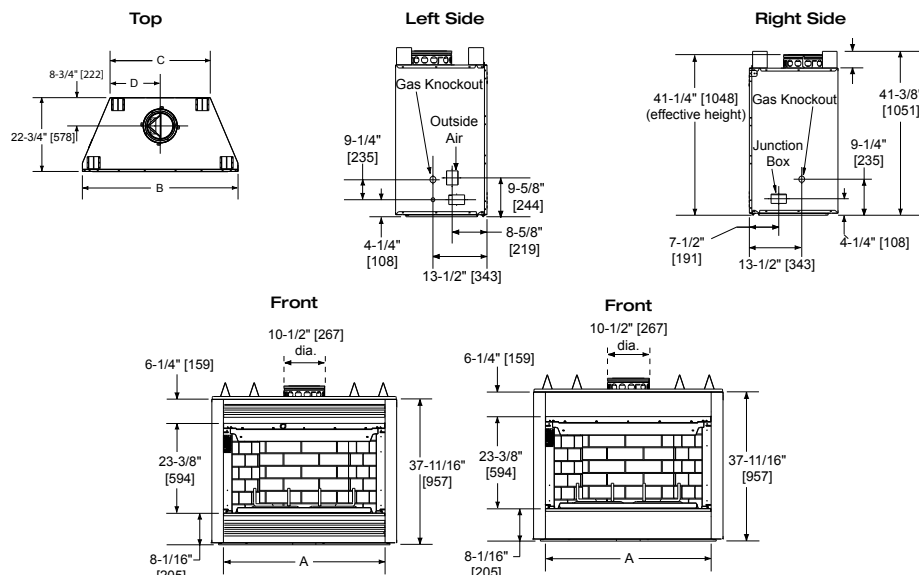
Herringbone



Traditional

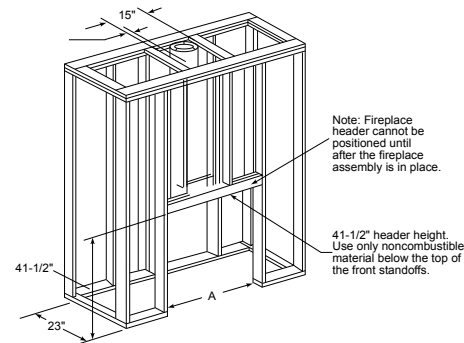
Specifications

Accelerator Dimensions



MODEL	A	B	C	D
A36R/C	36"	42"	28-1/4"	14-1/8"
A42R/C	42"	48"	30-7/8"	15-1/2"

Framing Dimensions



MODEL	A
A36R/C	43"
A42R/C	49"

For product-specific clearance dimensions, please visit heatilator.com.

Available from

heatilator
The first name in fireplaces

800-927-6841 | heatilator.com
[facebook.com/Heatilator](https://www.facebook.com/Heatilator)
twitter.com/Heatilator
[youtube.com/HeatilatorFireplaces](https://www.youtube.com/HeatilatorFireplaces)

HTL-1022U-0820

Limited Lifetime Warranty²

The strongest in the industry, Heatilator provides a limited lifetime warranty on wood-burning products of the most important aspects: firebox and heat exchanger.

¹ Meets 2009 IRC Code

² For full warranty details go to heatilator.com.

The information provided in this literature is for planning purposes only and subject to change. Please consult the installation manual for actual installation. Actual product appearance may differ from product images.

Fireplace glass and other surfaces get extremely HOT and can cause severe burns if touched. Do not remove the protective safety screen from the front of the glass. Keep a safe distance away. To learn more visit www.heatilator.com/fireplacesafety.

