

heatilator®

*The first name in fireplaces*



Constitution

EPA-Certified Wood-Burning Fireplace



Enjoy intense, efficient fires in any environment. This wood-burning powerhouse exceeds the strictest environmental standards in the nation. Proven technology delivers precision start-up and air control for clean, consistent burns and extended performance. Relax and let the Constitution blaze.



**Above and Cover:** Constitution shown standard.

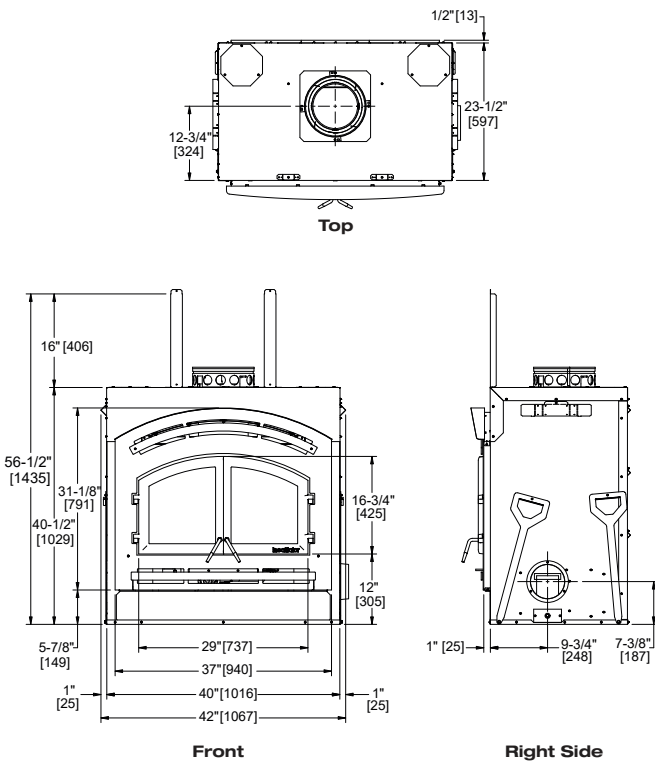
## Features

- 68,200 BTUs<sup>1</sup> — heats 1,000 to 2,600 sq ft<sup>2</sup>
- 2.7 cu ft interior capacity / 22" recommended log length
- Up to ten hours of burn time from each load of wood
- Dual 140 CFM fans

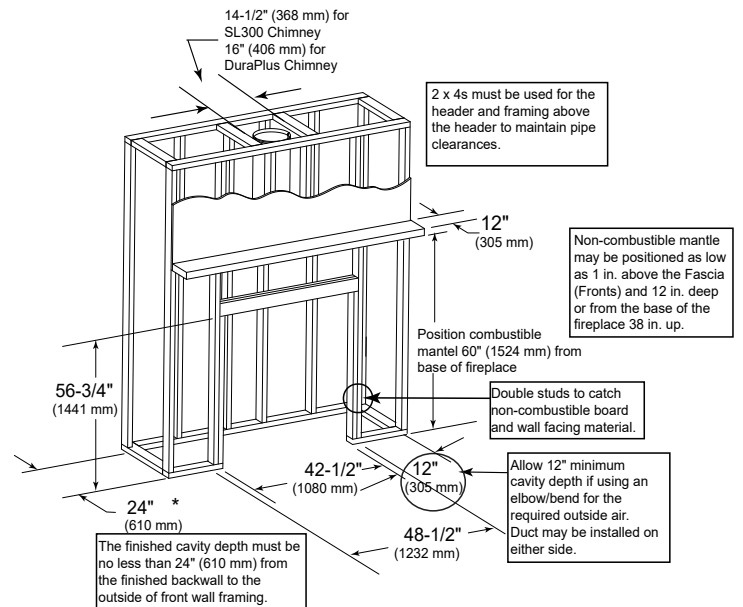
## Options

- Fire screen
- Heat distribution kit
- Hearth extension<sup>3</sup>
- Lintel bar

## Product Dimensions



## Framing Dimensions



\*If interior of chase will be drywalled, add the thickness to this measurement.

Available from

**heatilator**  
The first name in fireplaces

800-927-6841 | heatilator.com

facebook.com/Heatilator

twitter.com/Heatilator

youtube.com/HeatilatorFireplaces

HTL-1025U-1119



Limited Lifetime Warranty<sup>4</sup>

The strongest in the industry, Heatilator provides a limited lifetime warranty on wood-burning products of the most important aspects: firebox and heat exchanger.

<sup>1</sup> BTU: 1st hour output uses high burn efficiency number.

<sup>2</sup> See your local authorized Heatilator dealer for help in determining the product that best suits your heating needs based on climate and home efficiency.

<sup>3</sup> Required for installation

<sup>4</sup> For full warranty details go to heatilator.com.

The information provided in this literature is for planning purposes only and subject to change. Please consult the installation manual for actual installation. Actual product appearance may differ from product images. Fireplace glass and other surfaces get extremely HOT and can cause severe burns if touched. Keep a safe distance away. To learn more visit [www.heatilator.com/fireplacesafety](http://www.heatilator.com/fireplacesafety).