

# NORTHSTAR

EPA-CERTIFIED WOOD-BURNING FIREPLACE

HEAT & GLO<sup>®</sup>





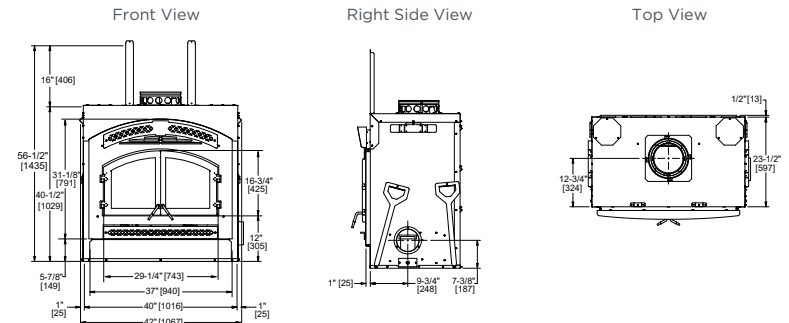
# NORTHSTAR

The EPA-certified Northstar exceeds the strictest environmental burn standards in the U.S. Enjoy roaring fires in areas where conventional wood-burning fireplaces are banned. Powerful flames and high-efficiency performance are at home in any environment.

## FEATURES AND BENEFITS

- 68,200 BTU<sup>1</sup>—Heats 1,000 to 2,600 square feet<sup>2</sup>
- 2.7 cu ft interior capacity / 22" recommended log length
- Up to 10 hours of burn time from each load of wood
- EPA certified with emission levels of just 1.8 grams per hour
- Cast iron, cabinet-style doors

| FRONT WIDTH  |                  | BACK WIDTH   |                      | FRONT HEIGHT     |                  | REAR HEIGHT      |                  | DEPTH           |                 | FIREBOX OPENING            |
|--------------|------------------|--------------|----------------------|------------------|------------------|------------------|------------------|-----------------|-----------------|----------------------------|
| Unit         | Framing          | Unit         | Framing <sup>1</sup> | Unit             | Framing          | Unit             | Framing          | Unit            | Framing         |                            |
| 40<br>[1016] | 42-1/2<br>[1080] | 40<br>[1016] | 42-1/2<br>[1080]     | 40-1/2<br>[1029] | 56-3/4<br>[1441] | 40-1/2<br>[1029] | 56-3/4<br>[1442] | 23-1/2<br>[597] | 24**<br>[610]** | 37 x 31-1/8<br>[940 x 791] |



<sup>1</sup>Tested to EPA standards, the Northstar fireplace meets the strictest environmental standards for wood-burning fireplaces and can be used in areas where conventional wood-burning appliances are restricted or banned.  
<sup>\*\*</sup>If interior of chase will be drywalled, add the thickness to this measurement.

For complete information on this model, please contact us at:



No one builds a better fire

Web: [heatnglo.com](http://heatnglo.com)  
 Phone: (888) 427-3973  
 E-mail: [info@heatnglo.com](mailto:info@heatnglo.com)

- [facebook.com/HeatandGlo](https://www.facebook.com/HeatandGlo)
- [twitter.com/HeatandGlo](https://twitter.com/HeatandGlo)
- [youtube.com/HeatandGlo](https://www.youtube.com/HeatandGlo)



## LIMITED LIFETIME WARRANTY<sup>3</sup>

The strongest in the industry, Heat & Glo provides a limited lifetime warranty on the most important aspects: firebox and heat exchanger.

<sup>1</sup> BTU: 1st hour output uses high burn efficiency number.  
<sup>2</sup> See your local authorized Heat & Glo dealer for help in determining the product that best suits your heating needs based on climate and home efficiency.  
<sup>3</sup> For full warranty details, go to [www.heatnglo.com](http://www.heatnglo.com).  
 Fireplace surfaces get extremely HOT and can cause severe burns if touched. Keep a safe distance away. To learn more visit [heatnglo.com/fireplacesafety](http://heatnglo.com/fireplacesafety)