



OUTFITTER SERIES
.....
PELLET STOVES

QUADRA-FIRE[®]
BY FORGE & FLAME

OUTFITTER II



BTU/hr Input¹
11,700 - 49,200

Heating Capacity²
1,300 - 2,300
sq ft

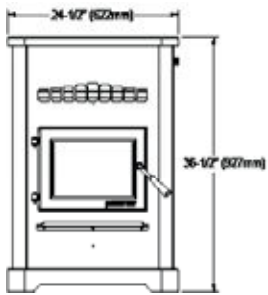
Efficiency³
LHV: 88%
HHV: 82%

Emissions
0.53 g/hr

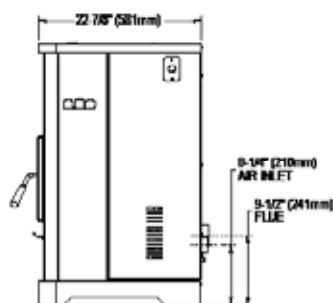
Hopper Capacity
130 lb

Weight
227 lb

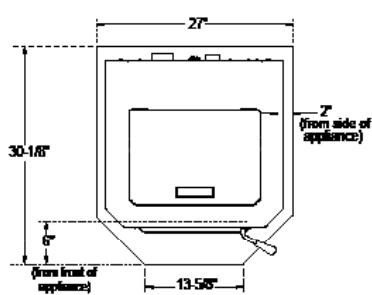
TOP VIEW



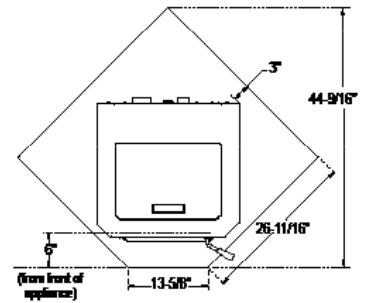
SIDE VIEW



FLOOR PROTECTION



CORNER HEARTH PAD CLEARANCES



EASY OPERATION WITH WITH COLOR DIAL
AND DIGITAL WIRED THERMOSTAT



AVAILABLE IN CLASSIC BLACK

OUTFITTER I



BTU/hr Input¹
9,600 - 33,200

Heating Capacity²
700 - 1,400
sq ft

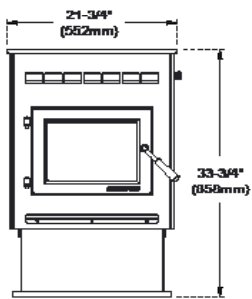
Efficiency³
LHV: 79%
HHV: 75%

Emissions
0.7 g/hr

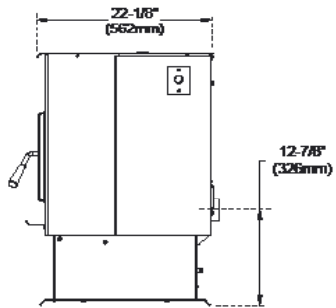
Hopper Capacity
60 lb

Weight
199 lb

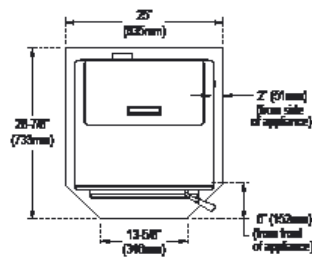
TOP VIEW



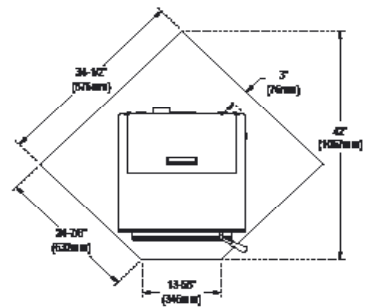
SIDE VIEW



FLOOR PROTECTION



CORNER HEARTH PAD CLEARANCES



EASY OPERATION WITH WITH COLOR DIAL
AND DIGITAL WIRED THERMOSTAT



AVAILABLE IN CLASSIC BLACK

PERFORMANCE FROM THE BEGINNING



Founders Alan Trusler and Dan Henry spent countless nights in the lab, determined to harness the powerful force of fire in ground-breaking new ways. In 1990 they introduced the first self-igniting pellet stove using Original Energy Technology. In 2014 Quadra-Fire launched Efficient Energy technology.

WHY QUADRA-FIRE

At Quadra-Fire we believe that nothing burns like a Quad, and heating with pellets should be easy and cost effective. Today these ideals are vibrant and alive, blending our past with our present. Quadra-Fire products are proudly built to last by our members.

WHY PELLETS

Pellets provide a time-saving heating choice that is an easy-to-use, renewable fuel. Pellets are normally available in 40 lb bags. A 1,500 sq ft home will use 2-4 tons per season, on average.

As the fire ignites, it remains clear:
NOTHING BURNS LIKE A QUAD.



Thank you from everyone at Quadra-Fire

QUADRA-FIRE[®]
BY FORGE & FLAME

www.quadrafire.com | 800-926-4356

[facebook.com/QuadraFire](https://www.facebook.com/QuadraFire)

[youtube.com/QuadraFirePower](https://www.youtube.com/QuadraFirePower)

Available From:

Limited Lifetime Warranty⁴

The strongest in the industry, Quadra-Fire provides a limited lifetime warranty on the most important aspects: firebox and heat exchanger.

1 BTU/hour input based on the high feed rate per hour multiplied by BTU content of test fuel pellets. Fuel density and pellet shape will affect hopper capacity. 2 See your local Quadra-Fire dealer for help in determining the product that best suits your heating needs based on climate and home efficiency. 3 Weighted average LHV (Low Heating Value) efficiency. HHV (High Heat Value) efficiency used to qualify products for Tax Credit beginning in 2021. 4 For full warranty details go to www.quadrafire.com.

IMPORTANT - READ BEFORE YOU INSTALL!

Refer to the Owner/Installation Manual for complete clearance requirements and specifications. The images and descriptions in this brochure are provided to assist you in product selection only.

Quadra-Fire is a registered trademark of Hearth & Home Technologies. Product specifications and pricing subject to change without notice.

Fireplace, stove and insert surfaces get extremely HOT and can cause severe burns if touched. Keep a safe distance away. To learn more visit www.quadrafire.com/fireplacesafety.